

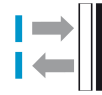
Proximity / Reflex Sensors
Photoelectric proximity switch, Foreground
suppression, Product group W12-2

WT12-2P440



Model Name > [WT12-2P440](#)
Part No. > [1016150](#)

- Red light; consequently, fast alignment is possible
- Insensitive to external light sources, i.e., increased operating reliability
- M12 plug rotatable by 90°, or 2 m cable
- Adjustable foreground suppression; ideal for applications with critical surfaces



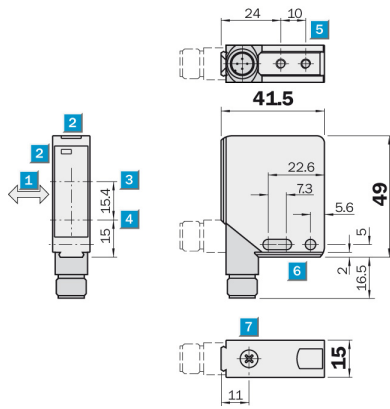
Product features

| | |
|----------------------------|----------------------------|
| Sensing range min ... max: | 35 mm ... 100 mm |
| Light source: | LED |
| Type of light: | Red light |
| Light spot diameter: | 3 x 3 mm at 60 mm distance |

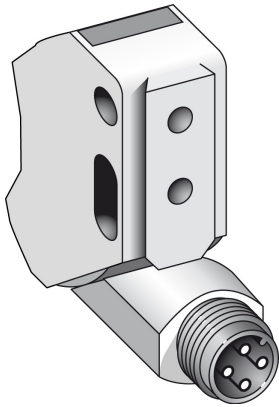
Technical data

| | |
|---|---|
| Design: | cuboid |
| Dimensions (W x H x D): | 15 mm x 49 mm x 41.5 mm |
| Supply voltage min ... max: | DC 10 ... 30 V |
| Ripple: | ≤ 5 Vpp |
| Power consumption: | ≤ 30 mA |
| Switching output: | PNP antivalent |
| Output current max.: | ≤ 100 mA |
| Response time: | ≤ 330 μs |
| Switching frequency: | 1,500 Hz |
| Connection type: | Connector, M12, 4-pin |
| Circuit protection: | V _S connections reverse-polarity protected/Output Q and Q not short-circuit protected/Interference suppression |
| Enclosure rating: | IP 69K |
| Ambient operation temperature, min ... max: | -40 °C ... +60 °C |
| Ambient storage temperature, min ... max: | -40 °C ... +75 °C |
| Weight: | ca. 120 g |
| Housing material: | die-cast zinc |

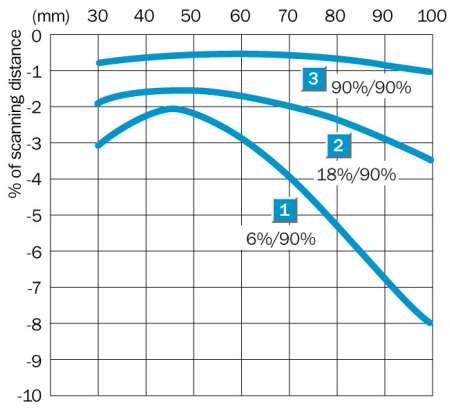
Dimensional drawing



Connection type



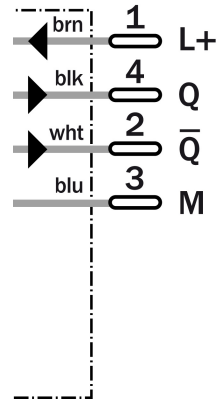
Characteristic curve



Adjustment possible



Connection diagram



Australia

Phone +61 3 9497 4100
1800 33 48 02 – tollfree
E-Mail sales@sick.com.au

Belgium/Luxembourg

Phone +32 (0)2 466 55 66
E-Mail info@sick.be

Brasil

Phone +55 11 3215-4900
E-Mail sac@sick.com.br

Ceská Republika

Phone +420 2 57 91 18 50
E-Mail sick@sick.cz

China

Phone +852-2763 6966
E-Mail ghk@sick.com.hk

Danmark

Phone +45 45 82 64 00
E-Mail sick@sick.dk

Deutschland

Phone +49 211 5301-301
E-Mail kundenservice@sick.de

España

Phone +34 93 480 31 00
E-Mail info@sick.es

France

Phone +33 1 64 62 35 00
E-Mail info@sick.fr

Great Britain

Phone +44 (0)1727 831121
E-Mail info@sick.co.uk

India

Phone +91-22-4033 8333
E-Mail info@sick-india.com

Israel

Phone +972-4-999-0590
E-Mail info@sick-sensors.com

Italia

Phone +39 02 27 43 41
E-Mail info@sick.it

Japan

Phone +81 (0)3 3358 1341
E-Mail support@sick.jp

Nederlands

Phone +31 (0)30 229 25 44
E-Mail info@sick.nl

Norge

Phone +47 67 81 50 00
E-Mail austefjord@sick.no

Österreich

Phone +43 (0)22 36 62 28 8-0
E-Mail office@sick.at

Polska

Phone +48 22 837 40 50
E-Mail info@sick.pl

Republic of Korea

Phone +82-2 786 6321/4
E-Mail info@sickkorea.net

Republika Slovenija

Phone +386 (0)1-47 69 990
E-Mail office@sick.si

România

Phone +40 356 171 120
E-Mail office@sick.ro

Russia

Phone +7 495 775 05 34
E-Mail info@sick-automation.ru

Schweiz

Phone +41 41 619 29 39
E-Mail contact@sick.ch

Singapore

Phone +65 6744 3732
E-Mail admin@sicksgp.com.sg

Suomi

Phone +358-9-25 15 800
E-Mail sick@sick.fi

Sverige

Phone +46 10 110 10 00
E-Mail info@sick.se

Taiwan

Phone +886 2 2375-6288
E-Mail sales@sick.com.tw

Türkiye

Phone +90 216 587 74 00
E-Mail info@sick.com.tr

United Arab Emirates

Phone +971 4 8865 878
E-Mail info@sick.ae

USA/Canada/México

Phone +1(952) 941-6780
1 800-325-7425 – tollfree
E-Mail info@sickusa.com

More representatives and agencies
in all major industrial nations at
www.sick.com