

Proximity / Reflex Sensors
Product series W9 Laser, Photoelectric proximity
switch, Background suppression

WT9L-P430



Model Name > [WT9L-P430](#)
Part No. > [1023959](#)

- Laser red light, class 2
- Background suppression adjustable
- Switching frequency 1000/s
- Compact housing made of ABS



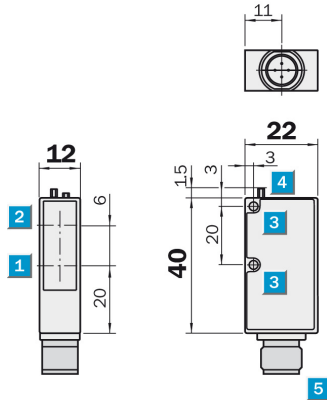
Product features

Sensing range min ... max:	30 ... 150 mm
Relating to:	Object with 90 % remission (based on standard white to DIN 5033)
Adjustment:	Potentiometer
Light source:	Laser diode
Type of light:	Laser, red light
Laser class:	2 (EN 60825-1/CDRH 1040.10)
Light spot diameter:	< 0.5 mm at 60 mm distance

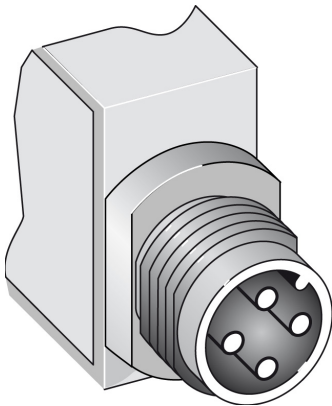
Technical data

Design:	cuboid
Dimensions (W x H x D):	12 x 40 x 22 mm
Supply voltage min ... max:	DC 10 ... 30 V
Ripple:	< 5 Vpp
Power consumption:	< 35 mA
Switching output:	PNP antivalent
Signal voltage PNP HIGH / LOW:	Vs - < 2 V / approx. 0 V
Output current max.:	< 100 mA
Response time:	< 0.6 ms
Switching frequency:	1,000 Hz
Connection type:	Connector, M12, 4-pin
Circuit protection:	Vs connections reverse-polarity protected / All outputs short-circuit protected / Interference suppression
Enclosure rating:	IP 67, IP 69K
Ambient operation temperature, min ... max:	-10 °C ... +50 °C
Ambient storage temperature, min ... max:	-25 °C ... +70 °C
Weight:	ca. 20 g
Housing material:	ABS

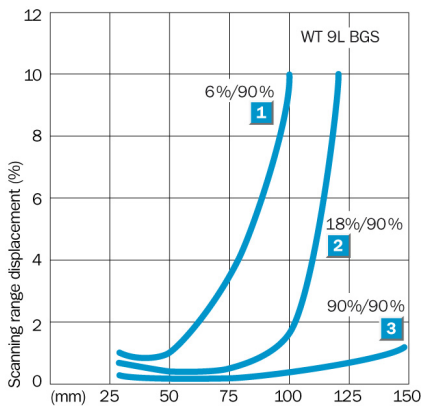
Dimensional drawing



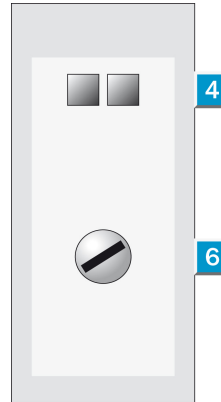
Connection type



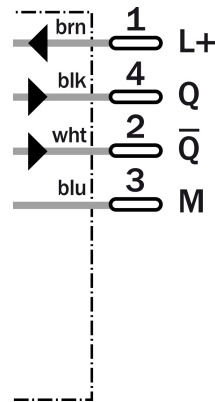
Scanning distance displacement



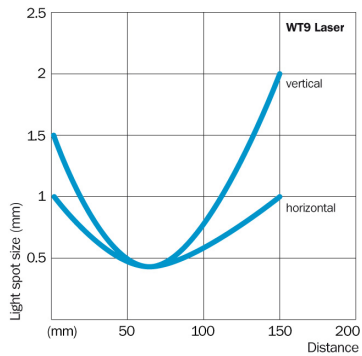
Adjustment possible



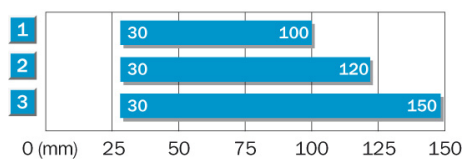
Connection diagram



Light spot size



Sensing range diagram



■ Operating distance

1	Scanning range on black, 6 % remission
2	Scanning range on grey, 18 % remission
3	Scanning range on white, 90 % remission

Australia

Phone +61 3 9497 4100
1800 33 48 02 – tollfree
E-Mail sales@sick.com.au

Belgium/Luxembourg

Phone +32 (0)2 466 55 66
E-Mail info@sick.be

Brasil

Phone +55 11 3215-4900
E-Mail sac@sick.com.br

Ceská Republika

Phone +420 2 57 91 18 50
E-Mail sick@sick.cz

China

Phone +852-2763 6966
E-Mail ghk@sick.com.hk

Danmark

Phone +45 45 82 64 00
E-Mail sick@sick.dk

Deutschland

Phone +49 211 5301-301
E-Mail kundenservice@sick.de

España

Phone +34 93 480 31 00
E-Mail info@sick.es

France

Phone +33 1 64 62 35 00
E-Mail info@sick.fr

Great Britain

Phone +44 (0)1727 831121
E-Mail info@sick.co.uk

India

Phone +91-22-4033 8333
E-Mail info@sick-india.com

Israel

Phone +972-4-999-0590
E-Mail info@sick-sensors.com

Italia

Phone +39 02 27 43 41
E-Mail info@sick.it

Japan

Phone +81 (0)3 3358 1341
E-Mail support@sick.jp

Nederlands

Phone +31 (0)30 229 25 44
E-Mail info@sick.nl

Norge

Phone +47 67 81 50 00
E-Mail austefjord@sick.no

Österreich

Phone +43 (0)22 36 62 28 8-0
E-Mail office@sick.at

Polska

Phone +48 22 837 40 50
E-Mail info@sick.pl

Republic of Korea

Phone +82-2 786 6321/4
E-Mail info@sickkorea.net

Republika Slovenija

Phone +386 (0)1-47 69 990
E-Mail office@sick.si

România

Phone +40 356 171 120
E-Mail office@sick.ro

Russia

Phone +7 495 775 05 34
E-Mail info@sick-automation.ru

Schweiz

Phone +41 41 619 29 39
E-Mail contact@sick.ch

Singapore

Phone +65 6744 3732
E-Mail admin@sicksgp.com.sg

Suomi

Phone +358-9-25 15 800
E-Mail sick@sick.fi

Sverige

Phone +46 10 110 10 00
E-Mail info@sick.se

Taiwan

Phone +886 2 2375-6288
E-Mail sales@sick.com.tw

Türkiye

Phone +90 216 587 74 00
E-Mail info@sick.com.tr

United Arab Emirates

Phone +971 4 8865 878
E-Mail info@sick.ae

USA/Canada/México

Phone +1(952) 941-6780
1 800-325-7425 – tollfree
E-Mail info@sickusa.com

More representatives and agencies
in all major industrial nations at
www.sick.com