

Datasheet - AZ/AZM 200-B30-RTAG1

Solenoid interlock / AZM 200 / Actuator / AZ/AZM 200-B30



Image

Preferred typ



- Actuator for hinged guards
- With door detection sensor T
- Easy and intuitive operation
- No risk of injury from protruding actuator
- No supplementary door handles required
- Does not protrude into the door opening
- Various handles available

(Minor differences between the printed image and the original product may exist!)

Ordering details

Product type description	AZ/AZM 200-B30-RTAG1
Article number	1178680
EAN code	4030661312729

Approval

Approval



notice

Certification in combination with the AZ/AZM 200

Global Properties

Product name	AZ/AZM 200-B30
Materials	
- Material of the housings	Plastic, glass-fibre reinforced thermoplastic self-extinguishing
- Material of the actuator	zinc die-cast
- Material of the operators	Aluminium, plastic coating
Weight	635 g
Door detection sensor (Y/N)	Yes

Mechanical data

Mechanical life	≥ 1.000.000 operations
-----------------	------------------------

Emergency unlocking device (Y/N)	No
Grip	handle
Clamping force F_{\max}	2000 N
Actuator mounted	outside
Door hinge	right

Dimensions

Dimensions of the actuators

- Width of the actuator	115 mm
- Height of the actuator	115 mm
- Length of the actuator	60 mm

Included in delivery

The safety switch / solenoid interlock and the actuator unit must be ordered separately.

Keywords

Search keys Lockout tag; SZ 200

Ordering code

AZ/AZM 200-B30-(1)TA(2)(3)-(4)

(1)

- L** Door hinge on left-hand side
- R** Door hinge on right-hand side

(2)

- G1** with handle
- G2** with Rotating knob

(3)

- without* without Emergency exit
- P1** with Emergency exit
- P20** with Emergency exit Metal film
- P25** with Emergency exit Inset handle

(4)

- SZ** with Lockout tag ()

Documents

Mounting and wiring instructions (es) 392 kB, 11.01.2008

Code: mazm2p07

Mounting and wiring instructions (de, en, fr) 573 kB, 08.04.2011

Code: mazm2p02

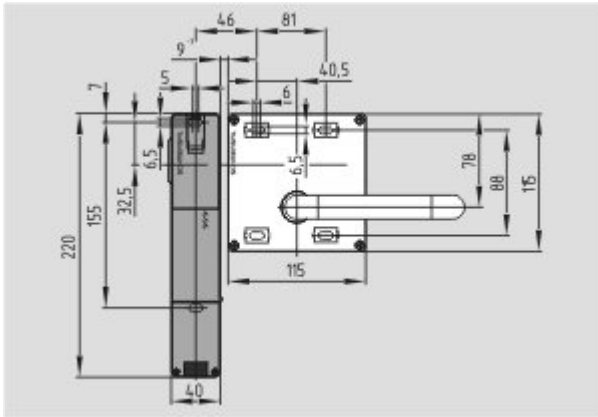
notice (de, en, fr) 84 kB, 04.05.2006

Code: s_zm2p01

Images



Product photo



Dimensional drawing (basic component)

K.A. Schmersal GmbH, Möddinghofe 30, D-42279 Wuppertal
The data and values have been checked thoroughly. Technical modifications and errors excepted.
Generiert am 27.10.2011 - 16:48:22h Kasbase 2.0.0.F DBI