

SWITCH DISCONNECTOR NEW DESIGN IU=63A,
UE=690V, 3-POLE BASIC VERSION WITHOUT 8UC6
HANDLE AND SHAFT



Model		
product brand name		SENTRON
Product designation		Switch Disconnecter 3KA
Design type		For mounting and installation
Protection class		
Protection class IP		IP00
Dissipation		
Active power loss		
<ul style="list-style-type: none"> • maximum 	W	7
Electricity		
Let-through current / I _{2t} / maximum permissible / in utilization category / AC-22 B / at 400 V	A ² ·s	24 000
Main circuit		
Number of poles / for main current circuit		3
Operating power		
<ul style="list-style-type: none"> • at AC-23 A / at 400 V / at 50/60 Hz / Rated value 	W	30 000
<ul style="list-style-type: none"> • at AC-23 A / at 500 V / at 50/60 Hz / Rated value 	W	30 000
<ul style="list-style-type: none"> • at AC-23 A / at 690 V / at 50/60 Hz / Rated value 	W	40 000
Operating voltage		
<ul style="list-style-type: none"> • with AC / at 50/60 Hz / Rated value 	V	690
<ul style="list-style-type: none"> • for DC / Rated value 	V	440

Operating current		
• at AC-21 / at 500 V / Rated value	A	63
• at AC-21 / at 690 V / Rated value	A	63
• at AC-21 / Rated value	A	63
• at AC-22 A / at 400 V / Rated value	A	63
• at AC-22 A / at 500 V / Rated value	A	63
• at AC-22 A / at 690 V / Rated value	A	63
• at AC-23 A / at 400 V / Rated value	A	63
• at AC-23 A / at 500 V / Rated value	A	63
• at AC-23 A / at 690 V / Rated value	A	63
• at AC-3 / at 400 V / Rated value	A	63
• at DC-23 A / at 400 V / Rated value	A	63
Rated current I _e / maximum / in utilization category		
• AC-21 A / at 400 V	A	63
• AC-21 A / at 500 V	A	63
• AC-21 B / at 400 V	A	63
• AC-21 B / at 500 V	A	63
• AC-22 A / at 400 V	A	63
• AC-22 A / at 500 V	A	63
• AC-22 B / at 400 V	A	63
• AC-22 B / at 500 V	A	63

Auxiliary circuit		
Number of CO contacts / for auxiliary contacts		0
Number of NC contacts / for auxiliary contacts		0
Number of NO contacts / for auxiliary contacts		0

Short circuit		
Maximum short-circuit current breaking capacity (I _{cu}) / at 400 V / Rated value	kA	50
Conditional rated short-circuit current		
• 400V	kA	120
• 500V	kA	120
• in utilization category / AC-21 A / at 400 V	kA	120
• in utilization category / AC-21 A / at 500 V	kA	120
• in utilization category / AC-21 B / at 400 V	kA	120
• in utilization category / AC-21 B / at 500 V	kA	120
• in utilization category / AC-22 A / at 400 V	kA	120
• in utilization category / AC-22 A / at 500 V	kA	120
• in utilization category / AC-22 B / at 400 V	kA	120
• in utilization category / AC-22 B / at 500 V	kA	120

Connections		
Connectable conductor cross-section		

<ul style="list-style-type: none"> for main contacts <ul style="list-style-type: none"> — stranded / maximum 	mm ²	35
Type of connection, main circuit		Flat-type screw terminal
Type of electrical connection <ul style="list-style-type: none"> for main current circuit 		flat connector

Mechanical Design

Height	mm	105
Width	mm	120
Depth	mm	150
Type of mounting		fixed mounted
mounting position		any
Mounting type		floor mounting
Mounting type <ul style="list-style-type: none"> front mounting with 4-hole attachment front mounting with central attachment rail mounting 		No No No

Environmental conditions

Ambient temperature <ul style="list-style-type: none"> during operation / minimum during operation / maximum during storage / minimum during storage / maximum 	°C	-25 55 -50 80
---	----	------------------------

Certificates

Equipment marking / acc. to DIN EN 61346-2 Q

General Product Approval	Declaration of Conformity	Test Certificates	Shipping Approval
--------------------------	---------------------------	-------------------	-------------------



[Special Test Certificate](#)



GL

Shipping Approval	other
--------------------------	--------------



[other](#)

Further information

Information- and Downloadcenter (Catalogs, Brochures,...)
<http://www.siemens.com/lowvoltage/catalogs>

Industry Mall (Online ordering system)

<https://eb.automation.siemens.com/mall/en/WW/Catalog/Product/3KA50301AE01>

Service&Support (Manuals, Certificates, Characteristics, FAQs,...)

<http://support.automation.siemens.com/WW/view/en/3KA50301AE01/all>

Image database (product images, 2D dimension drawings, 3D models, device circuit diagrams, ...)

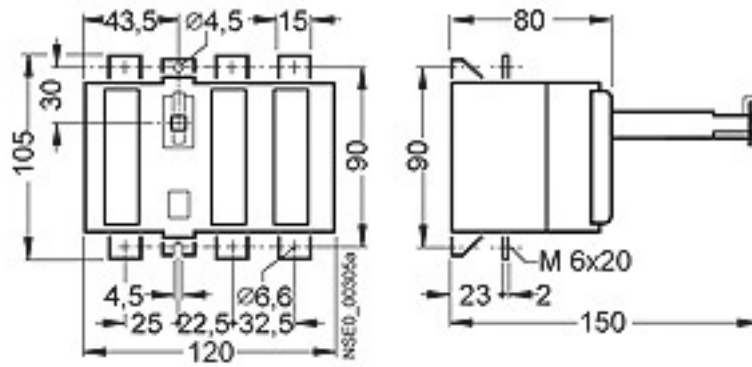
http://www.automation.siemens.com/bilddb/cax_en.aspx?mlfb=3KA50301AE01

CAX-Online-Generator

<http://www.siemens.com/cax>

Tender specifications

<http://ausschreibungstexte.siemens.com/tiplv>



last modified:

11.03.2015