

3-P. MAIN CTR. SWITCH IU=16,  
P/AC-23A AT 400V=7.5KW 1NO+1NC,  
1N-TERMINAL MOULDED-PLASTIC ENCLOSED,  
IP65 ROTARY ACTUATOR BLACK

Similar to image

**General technical details:**

<b>product brand name</b>		SETRON
<b>Product designation</b>		main and EMERGENCY-OFF switches
<b>Design of the operating mechanism</b>		rotary actuator, black
<b>Type from device</b>		fixed mounting
<b>Protection class IP</b>		IP65
<b>Number of poles</b>		3
<b>Mounting type</b>		floor mounting
• front mounting		No
• rail mounting		No
• series installation		No
<b>Insulation voltage / rated value</b>	V	690
<b>Continuous current / rated value</b>	A	16
<b>Product equipment / interlock</b>		Yes
<b>Design of the electrical connection</b>		
• for auxiliary contact		connection terminals
• for main current circuit		connection terminals
<b>Type of the driving mechanism / motor drive</b>		No
<b>Number of NC contacts / for auxiliary contacts</b>		1

<b>Impulse voltage resistance / rated value</b>	V	6,000
<b>Number of NO contacts / for auxiliary contacts</b>		1
<b>Number of changeover contacts / for auxiliary contacts</b>		0
<b>Operating current / at AC-21 / rated value</b>	A	16
<b>Operating voltage</b>		
• of the auxiliary contacts / for AC / maximum	V	500
• at 50/60 Hz / for AC / rated value	V	690
<b>Service power / at AC-3</b>		
• at 400 V / rated value	kW	5.5
• at 690 V / rated value	kW	5.5
<b>Short-time current resistance (I<sub>cw</sub>) / at 690 V / limited to 1 s / rated value</b>	A	340
<b>Depth</b>	mm	117
<b>Height</b>	mm	152
<b>Width</b>	mm	100
<b>Mechanical operating cycles as operating time / of the main contacts / typical</b>		100,000
<b>Active power loss / per conductor / typical</b>	W	0.5
<b>Design of the fuse link / for short-circuit protection of the auxiliary switch / required</b>		fuse gL/gG: 10 A
<b>Connectable conductor cross-section</b>		
• for main contacts		
• single- or multi-stranded	mm <sup>2</sup>	1 ... 6
• stranded	mm <sup>2</sup>	1 ... 6
• stranded wire / with conductor end processing / maximum	mm <sup>2</sup>	4
• for auxiliary contact		
• finely stranded		
• with conductor end processing	mm <sup>2</sup>	0.75 ... 2.5
• single- or multi-stranded	mm <sup>2</sup>	0.75 ... 4
• stranded	mm <sup>2</sup>	0.75 ... 4
<b>Type of the connectable conductor cross-section</b>		
• for auxiliary contacts		
• finely stranded / with conductor end processing		2x (0.75 ... 1.5 mm <sup>2</sup> ), 1x 2.5 mm <sup>2</sup>
<b>Ambient temperature / during operating</b>	°C	-25 ... +55
<b>Protection against electrical shock</b>		finger-safe
<b>Operating cycles / maximum</b>	1/h	50
<b>Acceptability for application</b>		
• main switch		Yes
• switch disconnecter		Yes
• maintenance/repair switch		Yes

• safety cut-out switch		Yes
• emergency stop switch		No
<b>Product extension / optional</b>		
• motor drive		No
• voltage trigger		No
<b>Mounting type</b>		
• front mounting with central attachment		Yes
• front mounting with 4-hole attachment		No
<b>Operating frequency</b>		
• initial value	Hz	50
• final value	Hz	60
<b>Design of the fuse link / for short-circuit protection of the main circuit / necessary</b>		fuse gL/gG: 20 A
<b>Service power / at AC-23 A</b>		
• at 400 V / rated value	kW	7.5
• at 690 V / rated value	kW	7.5
<b>Insulation voltage / of the auxiliary switch / rated value</b>	V	500
<b>Continuous current / of the auxiliary contact / rated value</b>	A	10
<b>Item designation</b>		
• according to DIN EN 61346-2		S

#### Certificates/approvals:

##### General Product Approval



CCC



CSA



GOST



UL

##### Test Certificates

[Special Test Certificate](#)

##### Shipping Approval



GL



LRS

##### other

[Declaration of Conformity](#)

[Environmental Confirmations](#)

#### Further information:

##### Information- and Downloadcenter (Catalogs, Brochures,...)

<http://www.siemens.com/lowvoltage/catalogs>

##### Industry Mall (Online ordering system)

<https://eb.automation.siemens.com/mall/en/WW/Catalog/Product/3LD2064-1GP51>

##### Service&Support (Manuals, Certificates, Characteristics, FAQs,...)

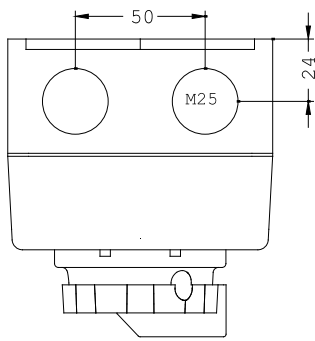
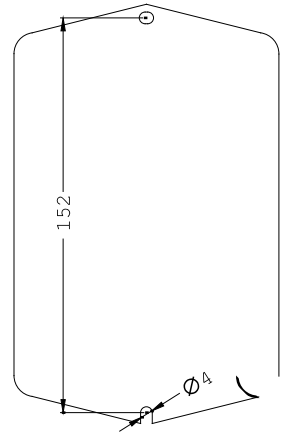
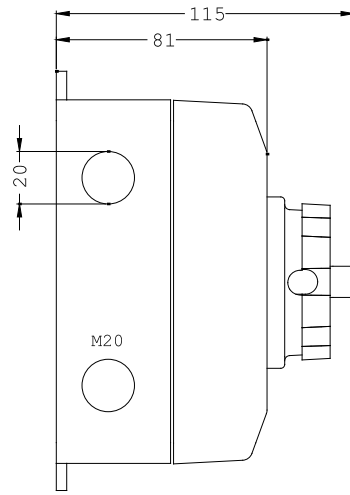
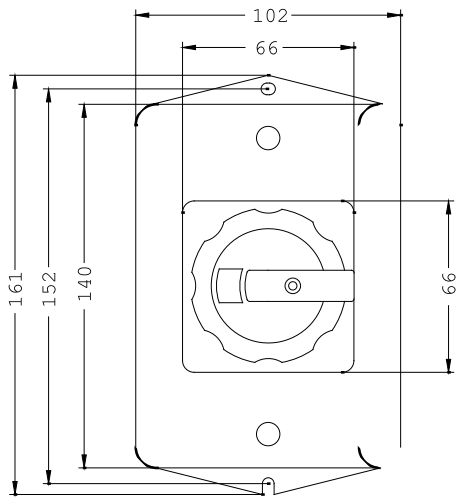
<http://support.automation.siemens.com/WW/view/en/3LD2064-1GP51/all>

##### Image database (product images, 2D dimension drawings, 3D models, device circuit diagrams, ...)

[http://www.automation.siemens.com/bilddb/cax\\_en.aspx?mlfb=3LD2064-1GP51](http://www.automation.siemens.com/bilddb/cax_en.aspx?mlfb=3LD2064-1GP51)

##### CAX-Online-Generator

<http://www.siemens.com/cax>



last change:

Apr 21, 2014