



EMERG. STOP SWITCH 6-POLE IU=25,
P/AC-23A AT 400V=9.5KW FRONT MOUNTING FOUR-
HOLE MOUNTING ROTARY ACTUATOR RED/YELLOW
(EMERG. STOP)

Similar to image

General technical details:

| | | |
|--|----|---------------------------------|
| product brand name | | SETRON |
| product designation | | main and EMERGENCY-OFF switches |
| Type from device | | fixed mounting |
| Design of the operating mechanism | | rotary actuator, red/yellow |
| Protection class IP | | IP65 |
| Number of poles | | 6 |
| Acceptability for application | | |
| • switch disconnecter | | Yes |
| • main switch | | Yes |
| • safety cut-out switch | | Yes |
| • emergency stop switch | | Yes |
| • maintenance/repair switch | | Yes |
| Product equipment / interlock | | Yes |
| Type of the driving mechanism / motor drive | | No |
| Product extension / optional | | |
| • motor drive | | No |
| • voltage trigger | | No |
| Ambient temperature / during operating | °C | -25 ... +55 |

| | | |
|---|---|-------------|
| Insulation voltage / rated value | V | 690 |
| Impulse voltage resistance / rated value | V | 6,000 |
| Active power loss / per conductor / typical | W | 1.1 |
| Mechanical operating cycles as operating time / of the main contacts / typical | | 100,000 |
| Protection against electrical shock | | finger-safe |
| Item designation / according to DIN EN 61346-2 | | S |
| Item designation / according to DIN 40719 extendable after IEC 204-2 / according to IEC 750 | | S |

Main circuit:

| | | |
|--|-----|-----------|
| Continuous current / rated value | A | 25 |
| Operating current / at AC-21 / rated value | A | 25 |
| Short-time current resistance (I _{cw}) / at 690 V / limited to 1 s / rated value | A | 640 |
| Operating frequency | Hz | 50 ... 60 |
| Operating voltage / at 50/60 Hz / for AC / rated value | V | 690 |
| Service power / at AC-3 | | |
| • at 400 V / rated value | kW | 7.5 |
| • at 690 V / rated value | kW | 7.5 |
| Service power / at AC-23 A | | |
| • at 400 V / rated value | kW | 9.5 |
| • at 690 V / rated value | kW | 9.5 |
| Operating cycles / maximum | 1/h | 50 |

Auxiliary circuit:

| | | |
|--|---|-----|
| Number of NC contacts / for auxiliary contacts | | 0 |
| Number of NO contacts / for auxiliary contacts | | 0 |
| Number of changeover contacts / for auxiliary contacts | | 0 |
| Continuous current / of the auxiliary contact / rated value | A | 10 |
| Operating voltage / of the auxiliary contacts / for AC / maximum | V | 500 |
| Insulation voltage / of the auxiliary switch / rated value | V | 500 |

Short-circuit:

| | | |
|---|--|------------------|
| Design of the fuse link / for short-circuit protection of the main circuit / necessary | | fuse gL/gG: 25 A |
| Design of the fuse link / for short-circuit protection of the auxiliary switch / required | | fuse gL/gG: 10 A |

Installation/mounting/dimensions:

| | | |
|--|--|----------------|
| Type of mounting | | front mounting |
| • front mounting | | Yes |
| • front mounting with central fixation | | No |

| | | |
|---------------------------------------|----|------|
| • front mounting with 4-hole fixation | | Yes |
| • series installation | | Yes |
| • Rail installation | | No |
| Width | mm | 67 |
| Height | mm | 84 |
| Depth | mm | 92.5 |

Connection type:

| | | |
|---|--|--|
| Design of the electrical connection / for main current circuit | | connection terminals |
| Design of the electrical connection / for auxiliary contact | | connection terminals |
| Type of connectable conductor cross section / for auxiliary contacts | | |
| • finely stranded / with conductor end processing | | 2x (0.75 ... 1.5 mm ²), 1x 2.5 mm ² |

Certificates/approvals:

| | | |
|--|-----------------|---------------------------------------|
| Verification of suitability | | CSA / UL / CCC / GL / LRS / DNV / PRS |
| Conductor cross section that can be connected / for main contacts / solid / minimum | mm ² | 1.5 |
| Conductor cross section that can be connected / for main contacts / solid / maximum | mm ² | 16 |
| Conductor cross section that can be connected / for main contacts / stranded / minimum | mm ² | 1.5 |
| Conductor cross section that can be connected / for main contacts / stranded / maximum | mm ² | 16 |
| Conductor cross section that can be connected / for main contacts / stranded wire / with conductor end processing / maximum | mm ² | 10 |
| Conductor cross-section that can be connected / for auxiliary contact / solid / minimum | mm ² | 0.75 |
| Conductor cross-section that can be connected / for auxiliary contact / solid / maximum | mm ² | 4 |
| Conductor cross-section that can be connected / for auxiliary contact / finely stranded / with conductor end processing / minimum | mm ² | 0.75 |
| Conductor cross-section that can be connected / for auxiliary contact / finely stranded / with conductor end processing / maximum | mm ² | 2.5 |
| Conductor cross section that can be connected / for auxiliary contacts / stranded / min. | mm ² | 0.75 |
| Conductor cross section that can be connected / for auxiliary contacts / stranded / max. | mm ² | 4 |

Certificates/approvals:

General Product Approval

CCC



CSA



GOST



UL

Test Certificates[Special Test Certificate](#)**Shipping Approval**

GL

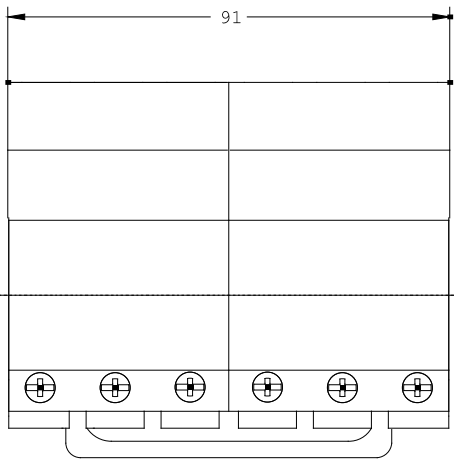
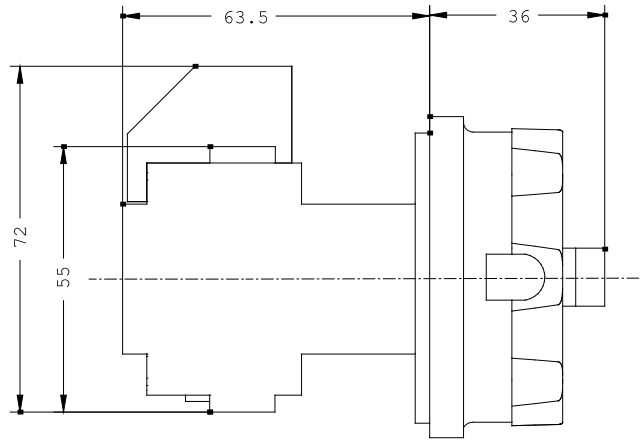
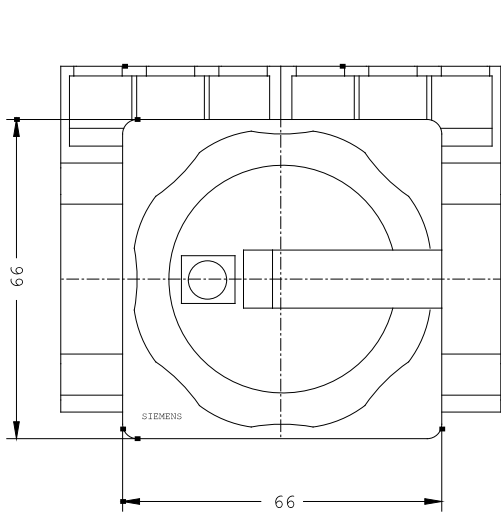


LRS

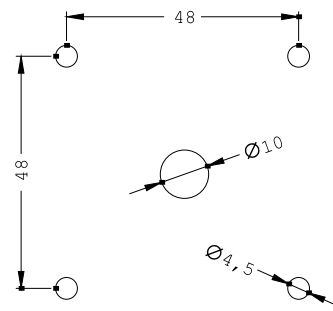


PRS

other[Declaration of Conformity](#)[Environmental Confirmations](#)**Further information:****Information- and Downloadcenter (Catalogs, Brochures,...)**<http://www.siemens.com/lowvoltage/catalogs>**Industry Mall (Online ordering system)**<http://www.siemens.com/lowvoltage/mall>**Service&Support (Manuals, Certificates, Characteristics, FAQs,...)**<http://support.automation.siemens.com/WW/view/en/3LD2103-3VK53/all>**Image database (product images, 2D dimension drawings, 3D models, device circuit diagrams, ...)**http://www.automation.siemens.com/bilddb/cax_en.aspx?mlfb=3LD2103-3VK53**CAX-Online-Generator**<http://www.siemens.com/cax>



Bohrbild
Tuer



last change:

Oct 28, 2013