



MAIN CONTROL SWITCH 3-POLE IU=25,
P/AC-23A AT 400V=9,5KW 1NO+1 NC,
1 N-TERMINAL ENCAPSUL.IN M.P.ENCLOSURE,
IP65 ROTARY ACTUATOR BLACK METRIC THREAD

Similar to image

General technical details:

product brand name		SETRON
Product designation		main and EMERGENCY-OFF switches
Design of the operating mechanism		rotary actuator, black
Type from device		fixed mounting
Protection class IP		IP65
Number of poles		3
Mounting type		floor mounting
• front mounting		No
• rail mounting		No
• series installation		No
Insulation voltage / rated value	V	690
Continuous current / rated value	A	25
Product equipment / interlock		Yes
Design of the electrical connection		
• for auxiliary contact		connection terminals
• for main current circuit		connection terminals
Type of the driving mechanism / motor drive		No
Number of NC contacts / for auxiliary contacts		1

Impulse voltage resistance / rated value	V	6,000
Number of NO contacts / for auxiliary contacts		1
Number of changeover contacts / for auxiliary contacts		0
Operating current / at AC-21 / rated value	A	25
Operating voltage		
• of the auxiliary contacts / for AC / maximum	V	500
• at 50/60 Hz / for AC / rated value	V	690
Service power / at AC-3		
• at 400 V / rated value	kW	7.5
• at 690 V / rated value	kW	7.5
Short-time current resistance (I_{cw}) / at 690 V / limited to 1 s / rated value	A	640
Depth	mm	117
Height	mm	152
Width	mm	100
Mechanical operating cycles as operating time / of the main contacts / typical		100,000
Active power loss / per conductor / typical	W	1.1
Design of the fuse link / for short-circuit protection of the auxiliary switch / required		fuse gL/gG: 10 A
Connectable conductor cross-section		
• for main contacts		
• single- or multi-stranded	mm ²	1.5 ... 16
• stranded	mm ²	1.5 ... 16
• stranded wire / with conductor end processing / maximum	mm ²	10
• for auxiliary contact		
• finely stranded		
• with conductor end processing	mm ²	0.75 ... 2.5
• single- or multi-stranded	mm ²	0.75 ... 4
• stranded	mm ²	0.75 ... 4
Type of the connectable conductor cross-section		
• for auxiliary contacts		
• finely stranded / with conductor end processing		2x (0.75 ... 1.5 mm ²), 1x 2.5 mm ²
Ambient temperature / during operating	°C	-25 ... +55
Protection against electrical shock		finger-safe
Operating cycles / maximum	1/h	50
Acceptability for application		
• main switch		Yes
• switch disconnecter		Yes
• maintenance/repair switch		Yes

• safety cut-out switch		Yes
• emergency stop switch		No
Product extension / optional		
• motor drive		No
• voltage trigger		No
Mounting type		
• front mounting with central attachment		Yes
• front mounting with 4-hole attachment		No
Operating frequency		
• initial value	Hz	50
• final value	Hz	60
Design of the fuse link / for short-circuit protection of the main circuit / necessary		fuse gL/gG: 25 A
Service power / at AC-23 A		
• at 400 V / rated value	kW	9.5
• at 690 V / rated value	kW	9.5
Insulation voltage / of the auxiliary switch / rated value	V	500
Continuous current / of the auxiliary contact / rated value	A	10
Item designation		
• according to DIN EN 61346-2		S

Certificates/approvals:

General Product Approval



CCC



CSA



GOST



UL

Test Certificates

[other](#)

Shipping Approval



GL



LRS

other

[Declaration of Conformity](#)

[Environmental Confirmations](#)

Further information:

Information- and Downloadcenter (Catalogs, Brochures,...)

<http://www.siemens.com/lowvoltage/catalogs>

Industry Mall (Online ordering system)

<https://eb.automation.siemens.com/mall/en/WW/Catalog/Product/3LD2164-1GP51>

Service&Support (Manuals, Certificates, Characteristics, FAQs,...)

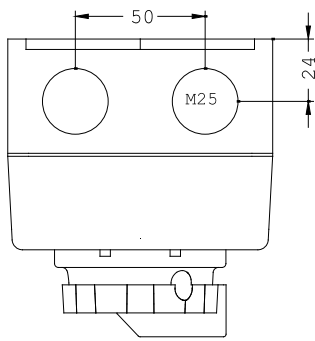
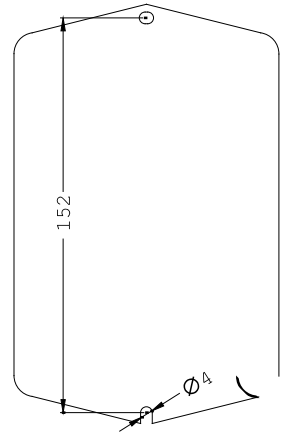
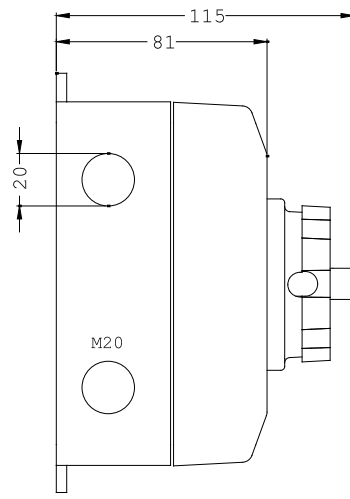
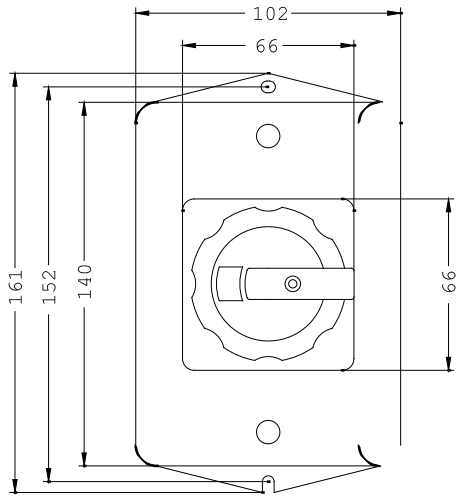
<http://support.automation.siemens.com/WW/view/en/3LD2164-1GP51/all>

Image database (product images, 2D dimension drawings, 3D models, device circuit diagrams, ...)

http://www.automation.siemens.com/bilddb/cax_en.aspx?mlfb=3LD2164-1GP51

CAX-Online-Generator

<http://www.siemens.com/cax>



last change:

Apr 21, 2014