



Similar to image

General technical details:

Product brand name		SENTRON
Product designation		main and EMERGENCY-OFF switches
Type from device		fixed mounting
design of the operating mechanism		rotary actuator, black
Protection class IP		IP65
Number of poles		3
Acceptability for application		
• switch disconnecter		Yes
• main switch		Yes
• Safety cut-out switch		Yes
• NETWORK OPERATING EMERGENCY OFF switch		No
• maintenance/repair switch		Yes
Product equipment / interlock		Yes
Type of the driving mechanism / Motor drive		No
Product extension / optional		
• Motor drive		No
• voltage trigger		No
Ambient temperature / during the operating phase	°C	-25 ... 55

Insulation voltage / rated value	V	690
Impulse voltage resistance / rated value	V	6,000
Real loss power / per conductor / typical	W	1.8
Mechanical switching cycle as operating period / of the main contacts / typical		100,000
Protection against electrical shock		finger-safe
Item designation / according to DIN EN 61346-2		S
Item designation / according to DIN 40719 extendable after IEC 204-2 / according to IEC 750		S

Main circuit:

Continuous current / rated value	A	32
Operating current / at AC-21 / rated value	A	32
Short-time current resistance (I _{cw}) / at 690 V / limited to 1 s / rated value	A	640
Operating frequency	Hz	50 ... 60
Operating voltage / at 50/60 Hz / for AC / rated value	V	690
Service power / at AC-3		
• at 400 V / rated value	kW	9.5
• at 690 V / rated value	kW	9.5
Service power / at AC-23a		
• at 400 V / rated value	kW	11.5
• at 690 V / rated value	kW	11.5
Operating cycles / maximum	1/h	50

Auxiliary circuit:

Number of NC contacts / for auxiliary contact		0
Number of NO contacts / for auxiliary contact		0
Number of change-over switches / for auxiliary contact		0
Continuous current / of the auxiliary contact / rated value	A	10
Operating voltage / of the auxiliary contacts / at AC / maximum	V	500
Insulation voltage / of the auxiliary switch / rated value	V	500

Short-circuit:

Design of the fuse link / for short-circuit protection of the main circuit / necessary		fuse gL/gG: 40 A
Design of the fuse link / for short-circuit protection of the auxiliary switch / required		fuse gL/gG: 10 A

Installation/mounting/dimensions:

Type of fixing/fixation		floor mounting
• Front mounting		No
• front mounting with central fixation		No

• front mounting with 4-hole fixation		No
• Series installation		No
• Rail installation		No
Width	mm	100
Height	mm	152
Depth	mm	117

Connection type:

Design of the electrical connection / for main current circuit		connection terminals
Design of the electrical connection / for auxiliary contact		connection terminals
Type of the connectable conductor cross-section / for main contacts		
• unifilar		1.5 ... 16 mm ²
• stranded wire / with conductor end processing		10 mm ²
• stranded wire		1.5 ... 16 mm ²
Type of connectable conductor cross section / for auxiliary contacts		
• solid		2x (0.75 ... 2.5 mm ²), 1x 4 mm ²
• finely stranded / with wire end processing		2x (0.75 ... 1.5 mm ²), 1x 2.5 mm ²
• stranded		2x (0.75 ... 2.5 mm ²), 1x 4 mm ²

Certificates/approvals:

verification of suitability		CSA / UL / CCC
------------------------------------	--	----------------

Further information:

Information- and Downloadcenter (Catalogs, Brochures,...)

<http://www.siemens.com/lowvoltage/catalogs>

Global Industry Mall (Online ordering system)

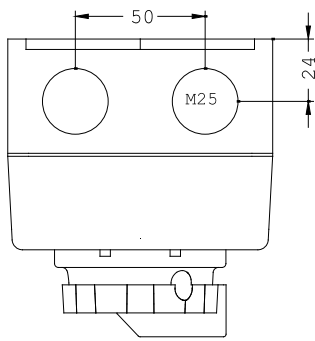
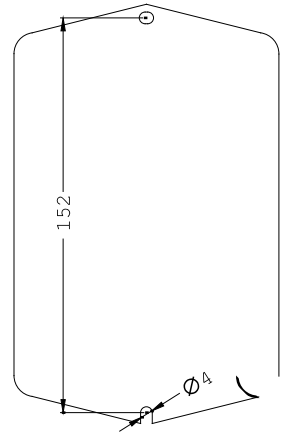
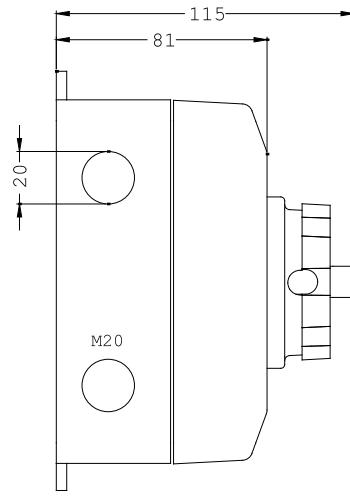
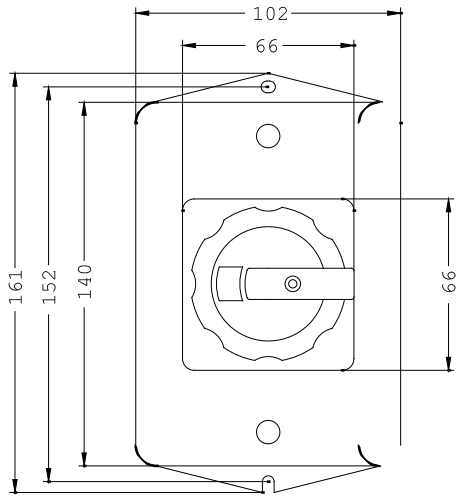
<http://www.siemens.com/lowvoltage/mall>

Service&Support (Manuals, Certificates, Characteristics, FAQs,...)

<http://support.automation.siemens.com/WW/view/en/3LD2264-0TB51/all>

Image database (product images, 2D dimension drawings, 3D models, device circuit diagrams, ...)

http://www.automation.siemens.com/bilddb/cax_en.aspx?mlfb=3LD2264-0TB51



last change:

Jul 7, 2010