



SENTRON, Switch disconnecter 3LD, main switch, 3-pole, Iu: 63 A, Operating power / at AC-23 A at 400 V: 22 kW, installation in distribution boards, knob-operated mechanism, black, handle direct at the switch

Model	
product brand name	SENTRON
product designation	3LD Switch disconnecter
design of the product	Main switch
display version / for switch position indicator manual operation	1 ON - 0 OFF
design of the actuating element	selector switch
design of handle	knob-operated mechanism, black
type of the driving mechanism / motor drive	No
General technical data	
number of poles	3
type of device	fixed mounting
type of switch	DIN-rail mounting
size of switch disconnecter	3
mechanical service life (switching cycles) / typical	100 000
electrical endurance (switching cycles)	
• at AC-23 A / at 690 V	6 000
I <sub>2t</sub> value / with closed switch / at 690 V / for combination switch + gG fuse / maximum	21 kA <sup>2</sup> .s
let-through I <sub>2t</sub> value / with closed switch / at 440 V / for combination switch + gG fuse / maximum	21 kA <sup>2</sup> .s
operating frequency / maximum	50 1/h
Voltage	
insulation voltage / rated value	690 V
surge voltage resistance / rated value	6 kV
Protection class	
protection class IP	IP40
protection class IP / on the front	IP40
Dissipation	
power loss [W]	
• for rated value of the current / at AC / in hot operating state / per pole	4.5 W
• per conductor / typical	5 W
Current	
operational current	
• at 40 °C / rated value	63 A
• at 45 °C / rated value	63 A
• at 50 °C / rated value	63 A
• at 55 °C / rated value	63 A
• at AC / rated value	63 A

<ul style="list-style-type: none"> <li>• at AC-23 A / at 400 V / rated value</li> </ul>	43 A
<ul style="list-style-type: none"> <li>• at AC-21 / at 690 V / rated value</li> </ul>	63 A
<ul style="list-style-type: none"> <li>• at AC-21 A / at 240 V / rated value</li> </ul>	63 A
<ul style="list-style-type: none"> <li>• at AC-21 A / at 440 V / rated value</li> </ul>	63 A
operational current / of upstream fuse / rated value	63 A
let-through current / with closed switch	
<ul style="list-style-type: none"> <li>• at 440 V / for combination switch + gG fuse / maximum</li> </ul>	6 kA
<ul style="list-style-type: none"> <li>• at 690 V / for combination switch + gG fuse / maximum permissible</li> </ul>	6 kA
<b>Main circuit</b>	
operating power	
<ul style="list-style-type: none"> <li>• at AC-23 A / at 240 V / rated value</li> </ul>	11 kW
<ul style="list-style-type: none"> <li>• at AC-23 A / at 400 V / rated value</li> </ul>	22 kW
<ul style="list-style-type: none"> <li>• at AC-23 A / at 440 V / rated value</li> </ul>	22 kW
<ul style="list-style-type: none"> <li>• at AC-23 A / at 690 V / rated value</li> </ul>	19 kW
<ul style="list-style-type: none"> <li>• at AC-3 / at 240 V / rated value</li> </ul>	11 kW
<ul style="list-style-type: none"> <li>• at AC-3 / at 400 V / rated value</li> </ul>	19 kW
<ul style="list-style-type: none"> <li>• at AC-3 / at 690 V / rated value</li> </ul>	15 kW
operational current / rated value	63 A
<b>Auxiliary circuit</b>	
number of CO contacts / for auxiliary contacts	0
number of NC contacts / for auxiliary contacts	0
number of NO contacts / for auxiliary contacts	0
operating voltage / of auxiliary contacts / at AC / maximum	500 V
continuous current / of the auxiliary contact / rated value	10 A
insulation voltage / of the auxiliary switch / rated value	500 V
<b>Suitability</b>	
suitability for use	
<ul style="list-style-type: none"> <li>• main switch</li> </ul>	Yes
<ul style="list-style-type: none"> <li>• switch disconnecter</li> </ul>	Yes
<ul style="list-style-type: none"> <li>• EMERGENCY OFF switch</li> </ul>	No
<ul style="list-style-type: none"> <li>• safety switch</li> </ul>	Yes
<ul style="list-style-type: none"> <li>• maintenance/repair switch</li> </ul>	Yes
<b>Appearance</b>	
color / of the actuating element	black
<b>Product details</b>	
product feature	
<ul style="list-style-type: none"> <li>• can be locked into OFF position</li> </ul>	Yes
number of bracket locks / maximum	2
hasp thickness / of the bracket locks / minimum	4 mm
hasp thickness / of the bracket locks / maximum	6 mm
product extension / optional	
<ul style="list-style-type: none"> <li>• motor drive</li> </ul>	No
<ul style="list-style-type: none"> <li>• voltage trigger</li> </ul>	No
<b>Short circuit</b>	
conditional short-circuit current / with line-side fuse protection	
<ul style="list-style-type: none"> <li>• at 690 V / by gG fuse / rated value</li> </ul>	50 kA
<b>according UL</b>	
operational current / at AC / according to UL 508/UL 60947-4-1 / rated value	63 A
operating voltage / at AC / at 50/60 Hz / according to UL 508/UL 60947-4-1 / rated value	600 V
active power [hp] / at AC / at 480 V / according to UL 508/UL 60947-4-1 / rated value	40
active power [hp] / at AC / at 600 V / according to UL 508/UL 60947-4-1 / rated value	50
short-time withstand current (SCCR) / at 600 V / according to UL 508/UL 60947-4-1	5 kA
continuous current / of upstream fuse / according to UL /	175 A

rated value	
type of fuse / according to UL	RK5
<b>Number</b>	
number of connectable NC contacts / for auxiliary contacts / attachable / maximum	2
number of connectable NO contacts / for auxiliary contacts / attachable / maximum	4
number of connectable CO contacts / for auxiliary contacts / attachable / maximum	0
<b>Connections</b>	
AWG number / as coded connectable conductor cross section / solid	
• maximum	6
• minimum	14
type of connectable conductor cross-sections / for copper conductor	
• solid	1x (2,5...35mm <sup>2</sup> )
• finely stranded / with core end processing	1x (2.5...16 mm <sup>2</sup> )
• stranded	1x (2,5..35mm <sup>2</sup> )
type of connectable conductor cross-sections / for auxiliary contacts	
• solid	2x (0.75 ... 2.5 mm <sup>2</sup> ), 1x 4 mm <sup>2</sup>
• finely stranded / with core end processing	2x (0.75 ... 1.5 mm <sup>2</sup> ), 1x 2.5 mm <sup>2</sup>
• stranded	2x (0.75 ... 2.5 mm <sup>2</sup> ), 1x 4 mm <sup>2</sup>
type of electrical connection	
• for main current circuit	box terminal
• for auxiliary contacts	connection terminals
<b>Requirements</b>	
design of the fuse link	
• for short-circuit protection of the main circuit / required	fuse gL/gG: 63 A
• for short-circuit protection of the auxiliary switch / required	fuse gL/gG: 10 A
<b>Mechanical Design</b>	
height	64 mm
width	64 mm
depth	93 mm
fastening method	Built-in unit fixed-mounted version
fastening method	
• 4-hole front mounting	No
• front mounting with central attachment	No
• rail mounting	Yes
net weight	305 g
<b>Environmental conditions</b>	
ambient temperature / during operation	
• minimum	-25 °C
• maximum	55 °C
ambient temperature / during storage / minimum	-25 °C
<b>General Product Approval</b>	



[Miscellaneous](#)



Declaration of Conformity	Test Certificates	Marine / Shipping	other
---------------------------	-------------------	-------------------	-------

Further information

Information- and Downloadcenter (Catalogs, Brochures,...)

<http://www.siemens.com/lowvoltage/catalogs>

Industry Mall (Online ordering system)

<https://mall.industry.siemens.com/mall/en/en/Catalog/product?mfb=3LD2530-0TK11>

Service&Support (Manuals, Certificates, Characteristics, FAQs,...)

<https://support.industry.siemens.com/cs/ww/en/ps/3LD2530-0TK11>

Image database (product images, 2D dimension drawings, 3D models, device circuit diagrams, ...)

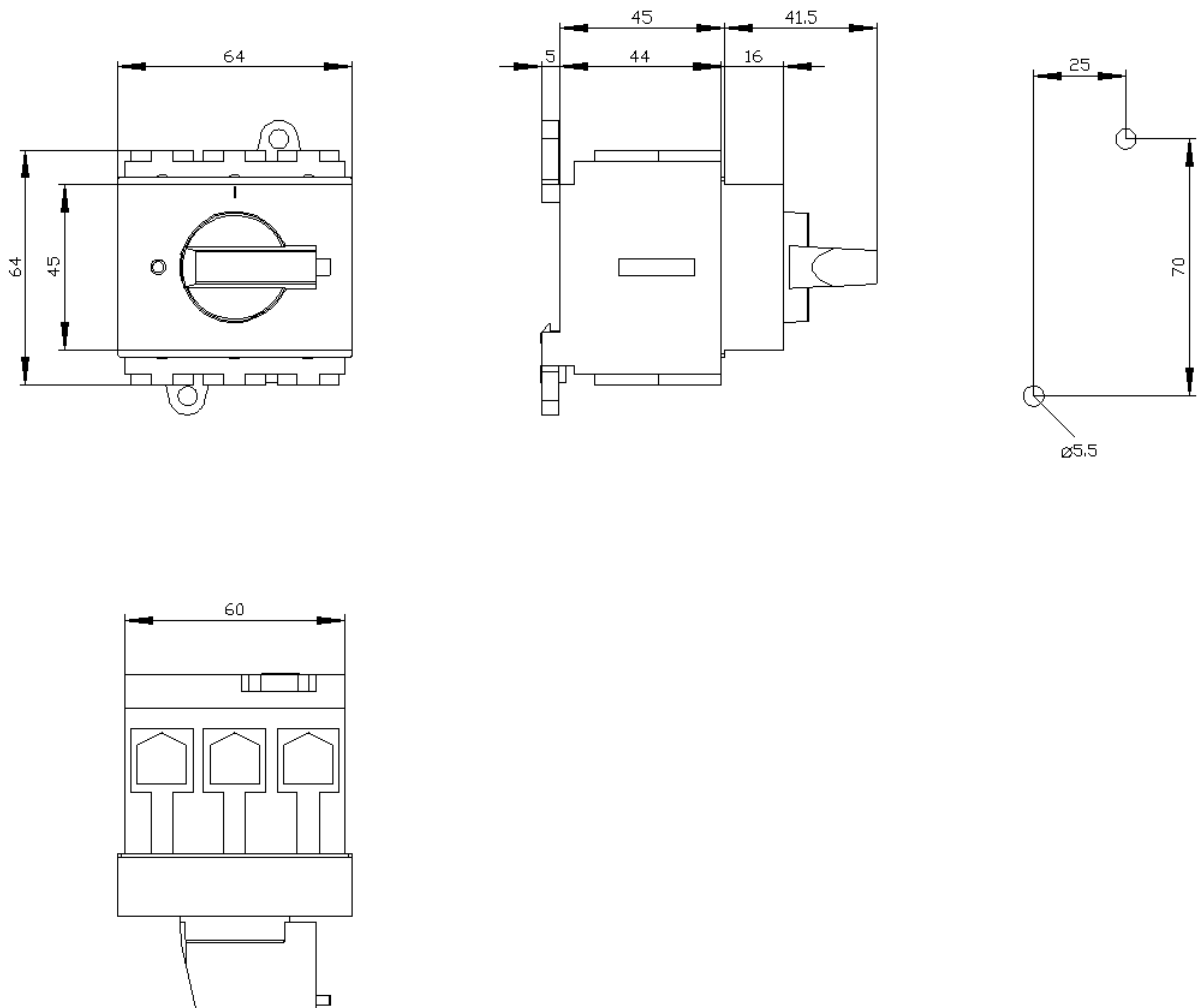
[http://www.automation.siemens.com/bilddb/cax\\_en.aspx?mfb=3LD2530-0TK11](http://www.automation.siemens.com/bilddb/cax_en.aspx?mfb=3LD2530-0TK11)

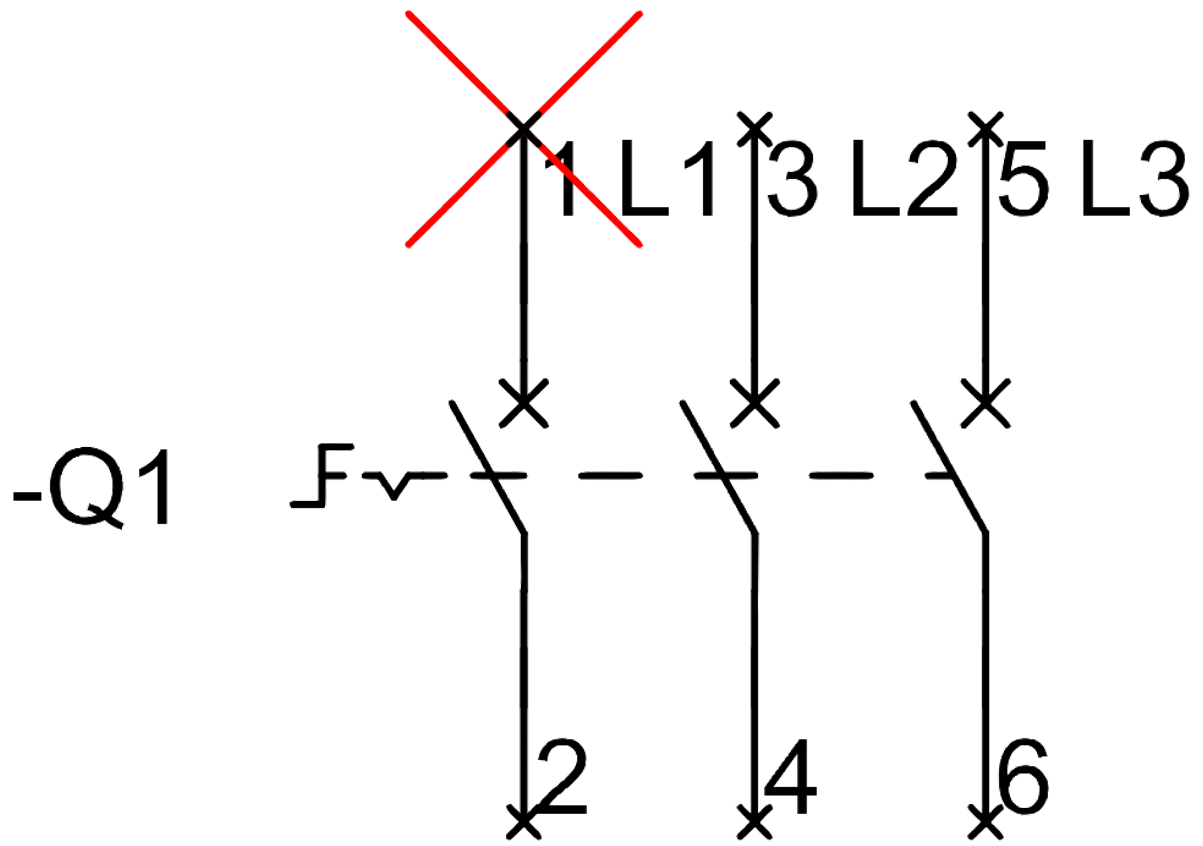
CAX-Online-Generator

<http://www.siemens.com/cax>

Tender specifications

<http://www.siemens.com/specifications>





-CI

