

SENTRON, 3LD switch disconnecter, EMERGENCY-STOP switch, 3-pole, Iu:100 A, Operational power / at AC-23 A at 400 V: 37 kW, front-mounted, 1NC, 1NO, rotary operating mechanism, red/yellow, 4-hole mounting of the handle



Model	
product brandname	SENTRON
Product designation	3LD switch disconnecter
Design of the product	EMERGENCY-STOP switch
Design of the operating mechanism	Short rotary knob
Type of the driving mechanism / motor drive	No
General technical data	
Number of poles	3
Type of device	fixed mounting
Operating frequency / maximum	50 1/h
Voltage	
Insulation voltage / rated value	690 V
Surge voltage resistance / rated value	6 kV
Protection class	
Protection class IP / on the front	IP65
Dissipation	
Power loss [W]	

<ul style="list-style-type: none"> • for rated value of the current / at AC / in hot operating state / per pole 	7.5 W
--	-------

Electricity

Continuous current / rated value	100 A
Short-time current resistance (I _{cw}) / at 690 V / limited to 1 s / rated value	2 000 A

Main circuit

Operating frequency	
<ul style="list-style-type: none"> • initial value • Full-scale value 	50 Hz 60 Hz
Operating power	
<ul style="list-style-type: none"> • at AC-23 A / at 400 V / rated value • at AC-23 A / at 690 V / rated value • at AC-3 / at 400 V / rated value • at AC-3 / at 690 V / rated value 	37 kW 30 kW 30 kW 22 kW
Operating voltage	
<ul style="list-style-type: none"> • at AC / at 50/60 Hz / rated value 	690 V

Auxiliary circuit

Operating voltage / of auxiliary contacts / at AC / maximum	500 V
Continuous current / of the auxiliary contact / rated value	10 A
Insulation voltage / of the auxiliary switch / rated value	500 V

Suitability

Suitability for use	
<ul style="list-style-type: none"> • Main switch • switch disconnecter • EMERGENCY OFF switch • safety switch • maintenance/repair switch 	Yes Yes Yes Yes Yes

Product details

Product feature / interlock	Yes
Product extension / optional	
<ul style="list-style-type: none"> • motor drive • Voltage trigger 	No No

Connections

Type of electrical connection	
<ul style="list-style-type: none"> • for main current circuit • for auxiliary contacts 	Box terminal connection terminals

Requirements

Design of the fuse link

- | | |
|---|-------------------|
| <ul style="list-style-type: none"> • for short-circuit protection of the main circuit / required | fuse gL/gG: 100 A |
| <ul style="list-style-type: none"> • for short-circuit protection of the auxiliary switch / required | fuse gL/gG: 10 A |

Mechanical Design

Height	107 mm
Width	90 mm
Depth	112.5 mm
Mounting type	Built-in unit fixed-mounted version
Mounting type	
<ul style="list-style-type: none"> • front mounting with 4-hole attachment 	Yes
<ul style="list-style-type: none"> • front mounting with central attachment 	No
<ul style="list-style-type: none"> • rail mounting 	No
Net weight	517 g

Environmental conditions

Ambient temperature

- | | |
|--|--------|
| <ul style="list-style-type: none"> • during operation / minimum | -25 °C |
| <ul style="list-style-type: none"> • during operation / maximum | 55 °C |

Certificates

Equipment marking

- | | |
|--|----|
| <ul style="list-style-type: none"> • acc. to DIN EN 61346-2 | S |
| <ul style="list-style-type: none"> • acc. to DIN EN 81346-2 | SF |

General Product Approval

Declaration of Conformity



[sonstig](#)



Test Certificates	Shipping Approval	other
-------------------	-------------------	-------

[spezielle Prüfbescheinigung](#)
[n](#)



[Umweltbestätigung](#)

Further information

Information- and Downloadcenter (Catalogs, Brochures,...)

<http://www.siemens.com/lowvoltage/catalogs>

Industry Mall (Online ordering system)

<https://mall.industry.siemens.com/mall/en/en/Catalog/product?mlfb=3LD2704-1TP53>

Service&Support (Manuals, Certificates, Characteristics, FAQs,...)

<http://support.automation.siemens.com/WW/view/en/3LD2704-1TP53/all>

Image database (product images, 2D dimension drawings, 3D models, device circuit diagrams, ...)

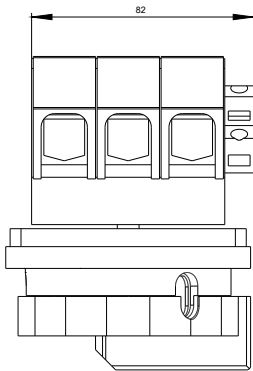
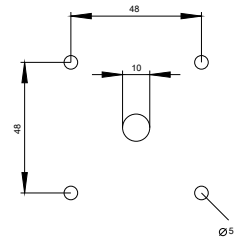
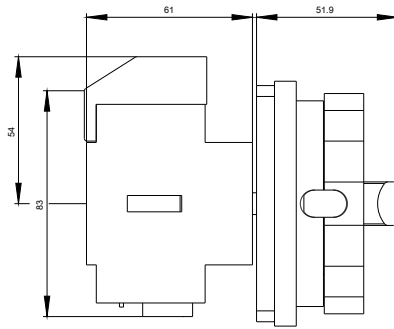
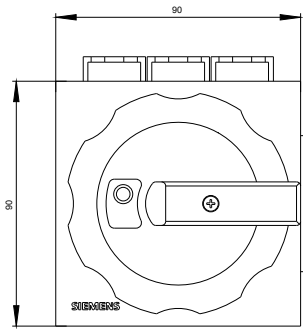
http://www.automation.siemens.com/bilddb/cax_en.aspx?mlfb=3LD2704-1TP53

CAX-Online-Generator

<http://www.siemens.com/cax>

Tender specifications

<http://www.siemens.com/specifications>



-Q1

