



LV HRC FUSE LINK GL/GG WITH NON-INSULATED GRIP LUGS WITH FRONT INDICATOR SIZE 2, 355A, AC 500V/DC 440V

Similar to image

**Technical data:**

<b>product brand name</b>		SETRON
<b>Product designation</b>		LV HRC fuse link
<b>Current / for AC / rated value</b>	A	355
<b>Operating class of the fuse link</b>		gG
<b>Size of the fallback-system / acc. to DIN EN 60269-1</b>		NH2
<b>Supply voltage</b>		
• for AC / rated value	V	500
• for DC	V	440
<b>Switching capacity current</b>		
• in accordance with IEC 60947-2 / rated value	kA	120
• with DC / in accordance with IEC 60947-2 / rated value	kA	25
<b>Design of the fuse link</b>		LV HRC fuse link
<b>Design of an identification indicator</b>		Front indicators
<b>Mounting type</b>		Non-insulated grip lugs
<b>mounting position</b>		Any, preferably vertical
<b>Protection class IP</b>		IP20, with connected conductors
<b>Climatic class</b>		-20 to +50 at 95% relative humidity
<b>Ambient temperature</b>	°C	-5 ... +40

Ambient temperature / during storage / note		Air humidity 90% at 20 °C
Product description		Using screw adapter or adapter sleeves
Design of the switching contact		Non-corroding, silver-plated
Net weight	g	665
Item designation		F
		F

#### Certificates/approvals:

General Product Approval	Declaration of Conformity	Test Certificates
 CSA  GOST  VDE  EG-Konf.		<a href="#">Special Test Certificate</a> <a href="#">Type Test Certificates/Test Report</a>

Shipping Approval	other
 GL	<a href="#">Environmental Confirmations</a>

#### Further information:

##### Information- and Downloadcenter (Catalogs, Brochures,...)

<http://www.siemens.com/lowvoltage/catalogs>

##### Industry Mall (Online ordering system)

<https://eb.automation.siemens.com/mall/en/WW/Catalog/Product/3NA3254>

##### Service&Support (Manuals, Certificates, Characteristics, FAQs,...)

<http://support.automation.siemens.com/WW/view/en/3NA3254/all>

##### Image database (product images, 2D dimension drawings, 3D models, device circuit diagrams, ...)

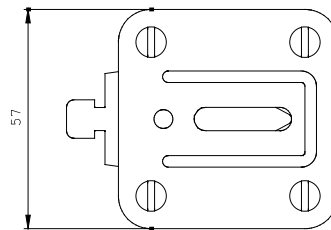
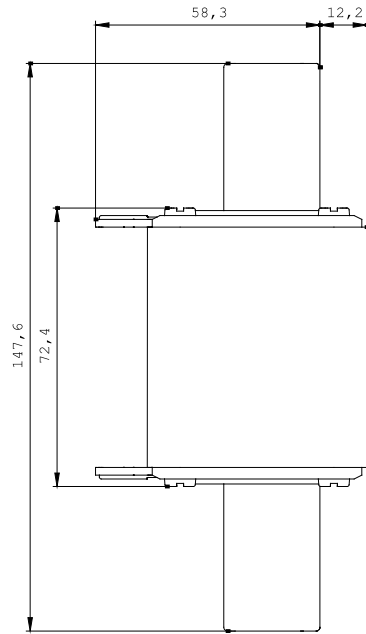
[http://www.automation.siemens.com/bilddb/cax\\_en.aspx?mlfb=3NA3254](http://www.automation.siemens.com/bilddb/cax_en.aspx?mlfb=3NA3254)

##### CAX-Online-Generator

<http://www.siemens.com/cax>

##### Tender specifications

[Datanorm GAEB81](#) [GAEB83](#) [RTF](#) [TXT](#)



last change:

Apr 21, 2014