








LV HRC FUSE BASE, 660V TRIPLE-POLE,
250A, SIZE 1

Similar to image

Technical data:

Design type		-
Product component / Retracting-equipment		No
Type of fixing/fixation / Runner Mondays		No
Size of the fallback-system / acc. to DIN EN 60269-1		NH1
Current / for AC / rated value	A	250
Number of poles		3

Certificates/approvals:

General Product Approval		Declaration of Conformity	Test Certificates		
 GOST	 KEMA	 UL	 EG-Konf.	Special Test Certificate	Type Test Certificates/Test Report
Shipping Approval	other				
 GL	Environmental Confirmations				

Further information:

Information- and Downloadcenter (Catalogs, Brochures,...)

<http://www.siemens.com/lowvoltage/catalogs>

Industry Mall (Online ordering system)

<http://www.siemens.com/lowvoltage/maill>

Service&Support (Manuals, Certificates, Characteristics, FAQs,...)

<http://support.automation.siemens.com/WW/view/en/3NH4230/all>

Image database (product images, 2D dimension drawings, 3D models, device circuit diagrams, ...)

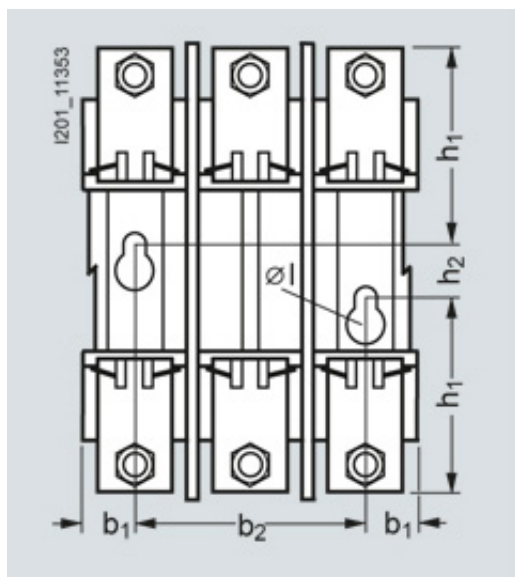
http://www.automation.siemens.com/bilddb/cax_en.aspx?mlfb=3NH4230

CAX-Online-Generator

<http://www.siemens.com/cax>

Tender specifications

[Datanorm](#) [GAEB81](#) [GAEB83](#) [RTF](#) [TXT](#)



last change:

Mar 3, 2014