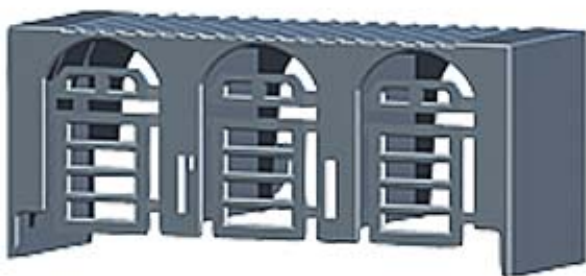


ACCES.F.FUSE SWI. DISCONNECTOR FOR NH00 CABLE CONNECTION COVER 1X TOP AND 1X BOTTOM



Similar to image

Technical data:

Design type		-
Type, explanations		-
Type, explanations additionally		-
Accessories		cover

Certificates/approvals:

General Product Approval

Declaration of Conformity



CB



GOST



EG-Konf.

Further information:

Information- and Downloadcenter (Catalogs, Brochures,...)

<http://www.siemens.com/lowvoltage/catalogs>

Industry Mall (Online ordering system)

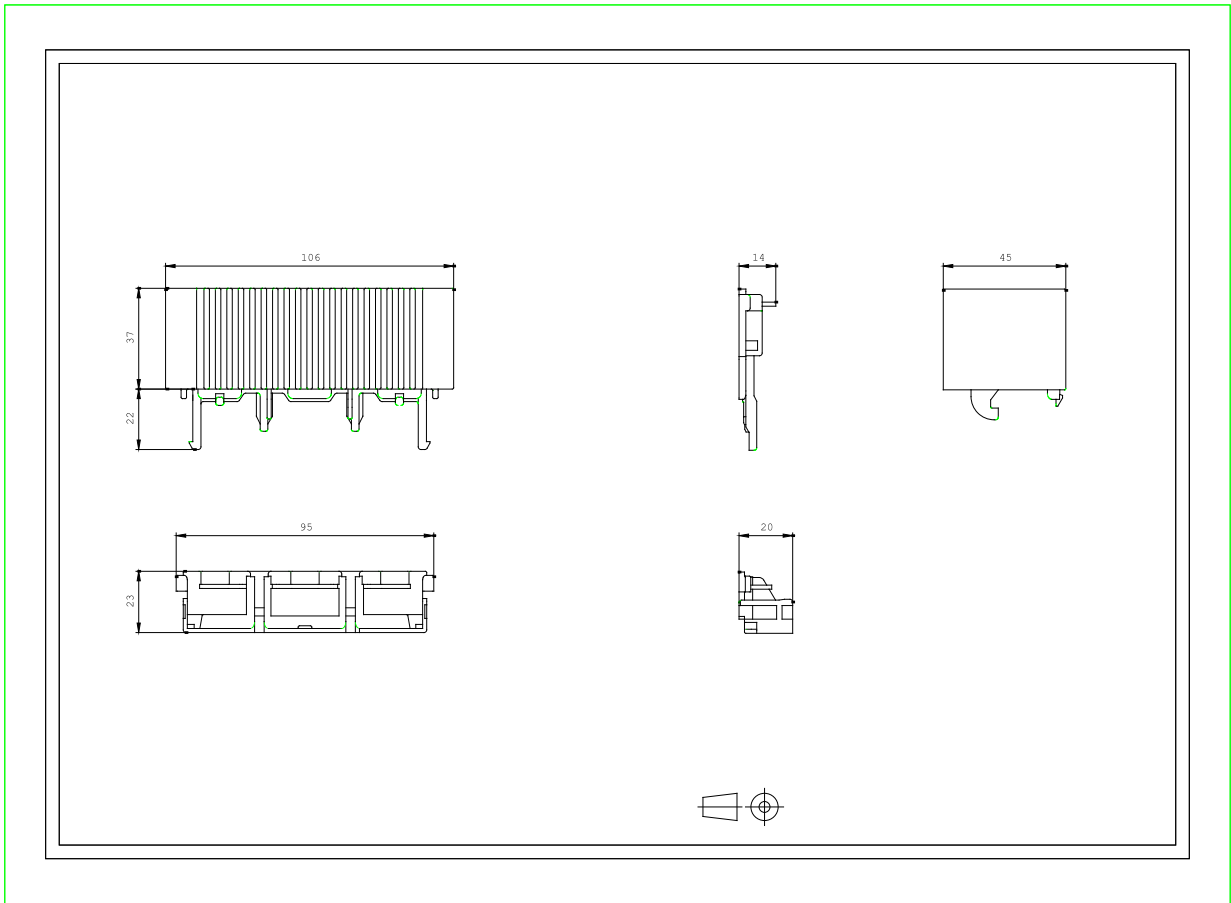
<http://www.siemens.com/lowvoltage/mall>

Service&Support (Manuals, Certificates, Characteristics, FAQs,...)

<http://support.automation.siemens.com/WWW/view/en/3NP1933-1CB00/all>

Image database (product images, 2D dimension drawings, 3D models, device circuit diagrams, ...)

http://www.automation.siemens.com/bilddb/cax_en.aspx?mlfb=3NP1933-1CB00



last change:

Mar 3, 2014