



CYLINDRICAL FUSE-HOLDER 10X38 1000V 25A 1-POLE FOR PHOTOVOLTAIC-APPLICATION

Similar to image

Technical data:

Design type		Design of cylinder fuses
Type, explanations		Cylindrical fuse holders
Design of the electrical connection		Other
Taille de la cartouche fusible		10x38 mm
Type of mounting		others
Number of poles		1
rated current I_n / AC	A	32
rated voltage U_n / AC	V	690
Tightening torque	N·m	2.5
Rated breaking capacity	kA	100
Rated voltage U_n acc. to UL/CSA with AC	V	600

Certificates/approvals:

General Product Approval

[ROSTEST](#)

Further information:

Information- and Downloadcenter (Catalogs, Brochures,...)

<http://www.siemens.com/lowvoltage/catalogs>

Industry Mall (Online ordering system)

<http://www.siemens.com/lowvoltage/mall>

Service&Support (Manuals, Certificates, Characteristics, FAQs,...)

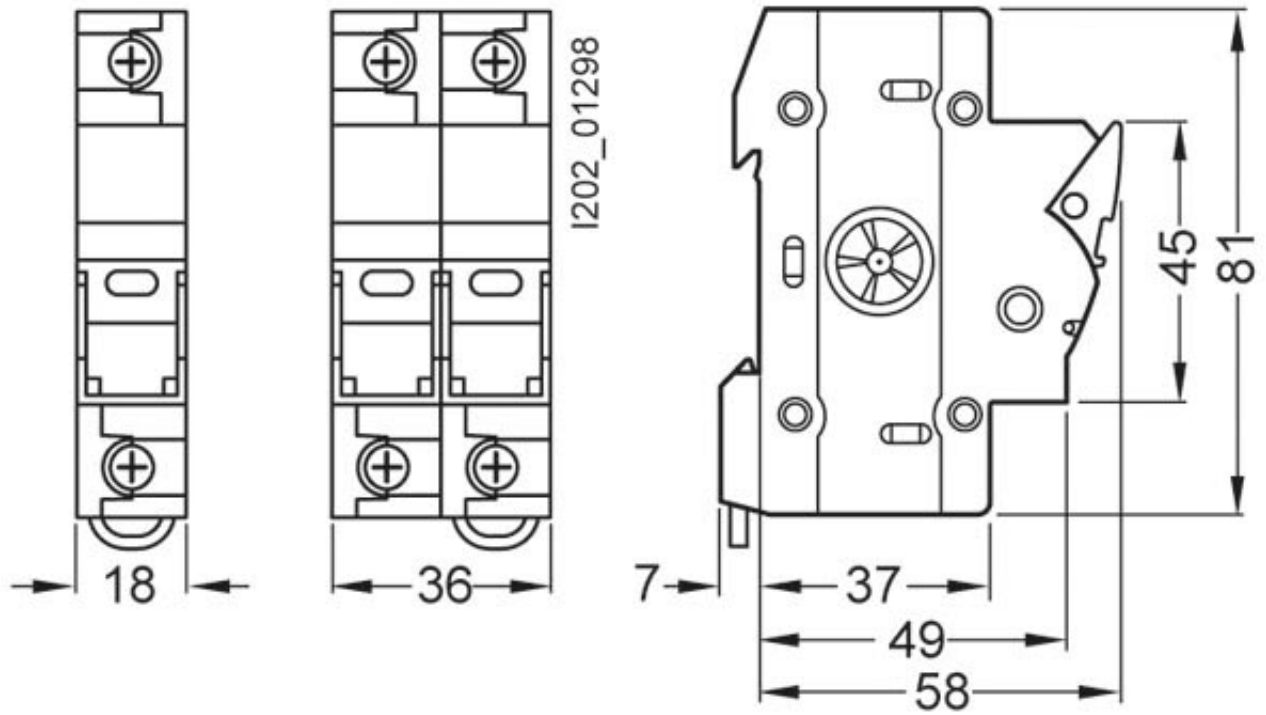
<http://support.automation.siemens.com/WW/view/en/3NW7013-4/all>

Image database (product images, 2D dimension drawings, 3D models, device circuit diagrams, ...)

http://www.automation.siemens.com/bilddb/cax_en.aspx?mlfb=3NW7013-4

CAx-Online-Generator

<http://www.siemens.com/cax>



last change:

Aug 26, 2011