


General technical data:

Product brand name		SIRIUS
Product designation		link module
Size of the circuit-breaker		S00, S0
Size of the contactor		S00
Design of the product		actuating voltage contactor: AC and DC
Acceptability for application		contactor S00 - circuit breaker S00 - screw terminal

Installation/mounting/dimensions:

Type of mounting		screw fixing
Width	mm	44.8
Height	mm	42.7
Depth	mm	70.3

Certificates/approvals:

General Product Approval	Shipping Approval	other
ROSTEST		Manufacturer

Further information:

Information- and Downloadcenter (Catalogs, Brochures,...)

<http://www.siemens.com/industrial-controls/catalogs>

Industry Mall (Online ordering system)

<http://www.siemens.com/industrial-controls/mall>

CAX-Online-Generator

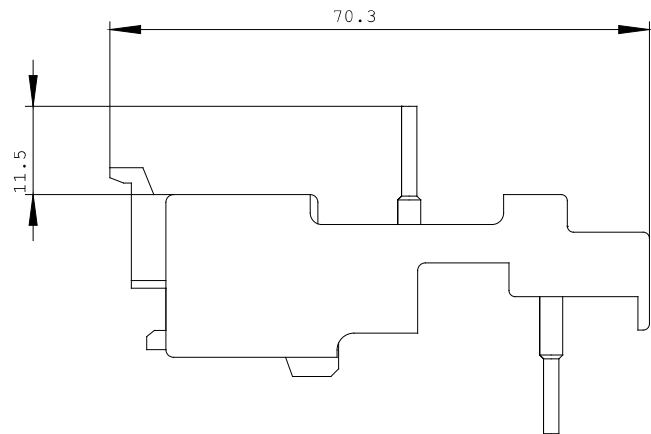
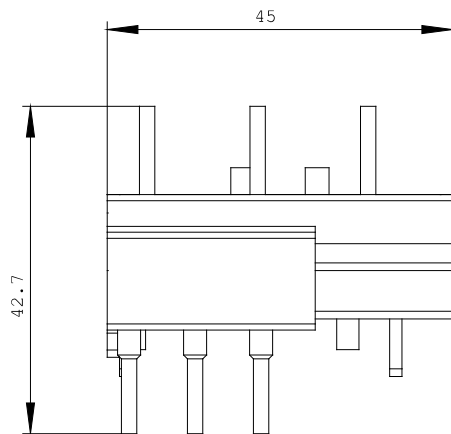
<http://www.siemens.com/cax>

Service&Support (Manuals, Certificates, Characteristics, FAQs,...)

<http://support.automation.siemens.com/WW/view/en/3RA1921-1D/all>

Image database (product images, 2D dimension drawings, 3D models, device circuit diagrams, ...)

http://www.automation.siemens.com/bilddb/cax_en.aspx?mlfb=3RA1921-1D



last change:

Oct 25, 2010