



Monitoring relay, can be mounted to Contactor 3RT2, Size S00 basic, analog adjustment Apparent current monitoring 1.6-16 A, 20-400 Hz, 2-phase Supply 24 V AC/DC 1 change-over contact Monitoring for Current overshoot and undershoot Phase failure, Cable break with or without fault buffer ON delay 0-60 s Noise pulse suppression 0-30 s Switching hysteresis 6% Screw connection system

product brand name	SIRIUS
product designation	Monitoring relays
design of the product	analogically adjustable, 2-phase current monitoring
product type designation	3RR2
<b>General technical data</b>	
size of contactor can be combined company-specific	S00
operating apparent power rated value	4 VA
insulation voltage for overvoltage category III according to IEC 60664	
• with degree of pollution 3 rated value	690 V
surge voltage resistance rated value	6 kV
consumed current at 24 V	90 mA
protection class IP	
• on the front	IP20
• of the terminal	IP20
shock resistance	15g / 11 ms
vibration resistance	10 ... 55 Hz / 0.35 mm
mechanical service life (operating cycles) typical	10 000 000
electrical endurance (operating cycles) at AC-15 at 230 V typical	100 000
reference code according to IEC 81346-2	K
relative repeat accuracy	2 %
Substance Prohibitance (Date)	10/01/2009
<b>Supply voltage</b>	
type of voltage of the supply voltage	AC/DC
supply voltage 1 at AC	
• at 50 Hz rated value	24 V
• at 60 Hz rated value	24 V
supply voltage 1 at DC rated value	24 V
supply voltage frequency 1	50 ... 60 Hz
<b>Measuring circuit</b>	
type of current for monitoring	AC
adjustable current response value current	
• 1	1.6 ... 16 A
• 2	1.6 ... 16 A
adjustable response delay time	
• when starting	0 ... 60 s
• with lower or upper limit violation	0 ... 30 s
<b>Precision</b>	
temperature drift per °C	0.1 %/°C

Short-circuit protection	
design of the fuse link for short-circuit protection of the auxiliary switch required	fuse gG: 4 A
Communication/ Protocol	
protocol is supported IO-Link protocol	No
<b>type of voltage supply via input/output link master</b>	No
Auxiliary circuit	
<b>number of CO contacts</b>	
• for auxiliary contacts	1
<b>operational current of auxiliary contacts at AC-15</b>	
• at 24 V	3 A
• at 230 V	3 A
• at 400 V	3 A
<b>operational current of auxiliary contacts at DC-13</b>	
• at 24 V	1 A
• at 125 V	0.2 A
• at 250 V	0.1 A
<b>contact rating of auxiliary contacts according to UL</b>	B300 / R300
Main circuit	
operating power rated value	2.5 W
<b>ampacity of the semiconductor output in SIO mode</b>	20 mA
<b>operational current at 17 V minimum</b>	5 mA
Electromagnetic compatibility	
EMC emitted interference according to IEC 60947-1	ambience A (industrial sector)
EMC immunity according to IEC 60947-1	ambience A (industrial sector)
Connections/ Terminals	
<b>product component removable terminal for main circuit</b>	No
<b>product component removable terminal for auxiliary and control circuit</b>	Yes
<b>type of electrical connection</b>	
• for main current circuit	screw-type terminals
• for auxiliary and control circuit	screw-type terminals
<b>type of connectable conductor cross-sections</b>	
• for main contacts	
— solid	2x (0.5 ... 1.5 mm <sup>2</sup> ), 2x (0.75 ... 2.5 mm <sup>2</sup> ), 2x (1 ... 4 mm <sup>2</sup> )
— finely stranded with core end processing	2x (0.5 ... 1.5 mm <sup>2</sup> ), 2x (0.75 ... 2.5 mm <sup>2</sup> )
• for AWG cables for main contacts	1x 12, 2x (20 ... 14)
<b>connectable conductor cross-section for main contacts</b>	
• solid or stranded	0.75 ... 4 mm <sup>2</sup>
• finely stranded with core end processing	0.5 ... 2.5 mm <sup>2</sup>
<b>type of connectable conductor cross-sections</b>	
• for auxiliary contacts	
— solid	1x (0.5 ... 4 mm <sup>2</sup> ), 2x (0.5 ... 2.5 mm <sup>2</sup> )
— finely stranded with core end processing	1x (0.5 ... 2.5 mm <sup>2</sup> ), 2x (0.5 ... 1.5 mm <sup>2</sup> )
• for AWG cables for auxiliary contacts	2x (20 ... 14)
AWG number as coded connectable conductor cross section for main contacts	20 ... 12
tightening torque with screw-type terminals	0.8 ... 1.2 N·m
Installation/ mounting/ dimensions	
<b>mounting position</b>	any
<b>fastening method</b>	direct mounting
<b>height</b>	79 mm
<b>width</b>	45 mm
<b>depth</b>	80 mm
<b>required spacing</b>	
• with side-by-side mounting	
— forwards	0 mm
— backwards	0 mm
— upwards	0 mm
— downwards	0 mm
— at the side	0 mm

- for grounded parts
  - forwards 0 mm
  - backwards 0 mm
  - upwards 0 mm
  - at the side 6 mm
  - downwards 0 mm
- for live parts
  - forwards 0 mm
  - backwards 0 mm
  - upwards 0 mm
  - downwards 0 mm
  - at the side 6 mm

0 mm  
0 mm  
0 mm  
6 mm  
0 mm  
0 mm  
0 mm  
0 mm  
0 mm  
6 mm

### Ambient conditions

installation altitude at height above sea level maximum	2 000 m
<b>ambient temperature</b>	
• during operation	-25 ... +60 °C
• during storage	-40 ... +80 °C

### Certificates/ approvals

General Product Approval	EMC
--------------------------	-----



[Confirmation](#)



Declaration of Conformity	Test Certificates	Marine / Shipping
---------------------------	-------------------	-------------------



EG-Konf.

[Special Test Certificate](#)

[Type Test Certificates/Test Report](#)



ABS



LRS

Marine / Shipping	other
-------------------	-------



PRS



RINA



DNV-GL

[Confirmation](#)

### Further information

Siemens has decided to exit the Russian market (see here).

<https://press.siemens.com/global/en/pressrelease/siemens-wind-down-russian-business>

Siemens is working on the renewal of the current EAC certificates.

Please contact your local Siemens office on the status of validity of the EAC certification if you intend to import or offer to supply these products to an EAC relevant market (other than the sanctioned EAEU member states Russia or Belarus).

Information on the packaging

<https://support.industry.siemens.com/cs/ww/en/view/109813875>

Information- and Downloadcenter (Catalogs, Brochures,...)

<https://www.siemens.com/ic10>

Industry Mall (Online ordering system)

<https://mall.industry.siemens.com/mall/en/en/Catalog/product?mlfb=3RR2141-1AA30>

Cax online generator

<http://support.automation.siemens.com/WW/CAXorder/default.aspx?lang=en&mlfb=3RR2141-1AA30>

Service&Support (Manuals, Certificates, Characteristics, FAQs,...)

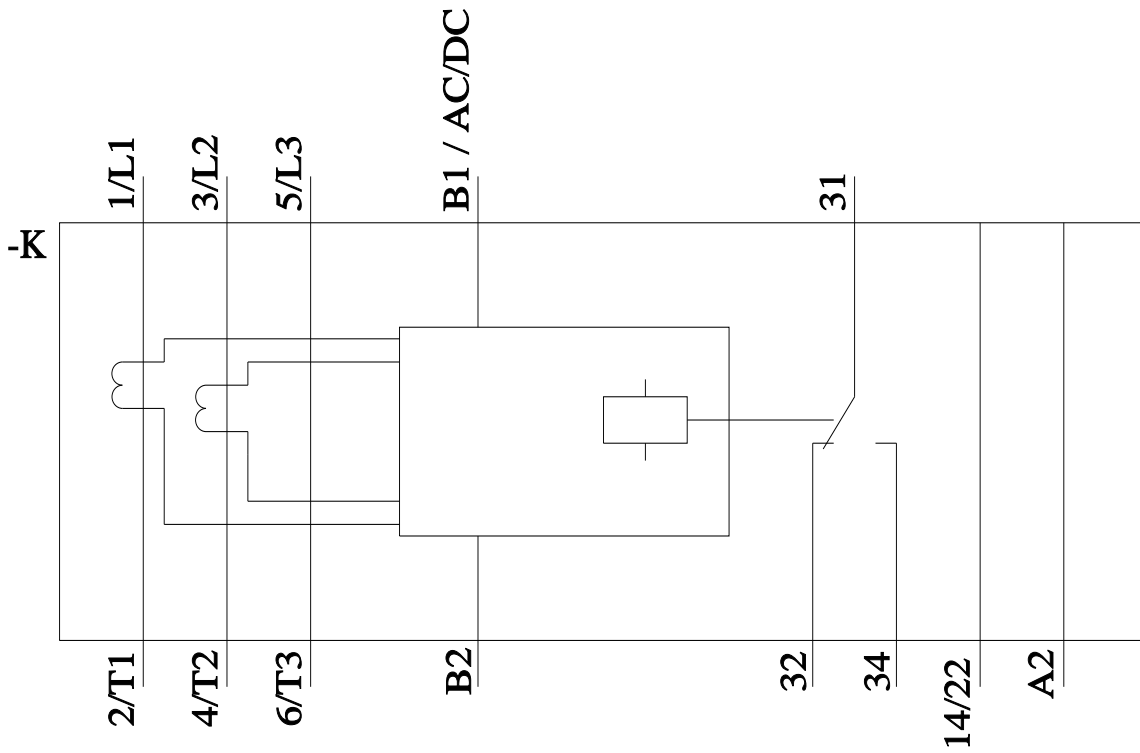
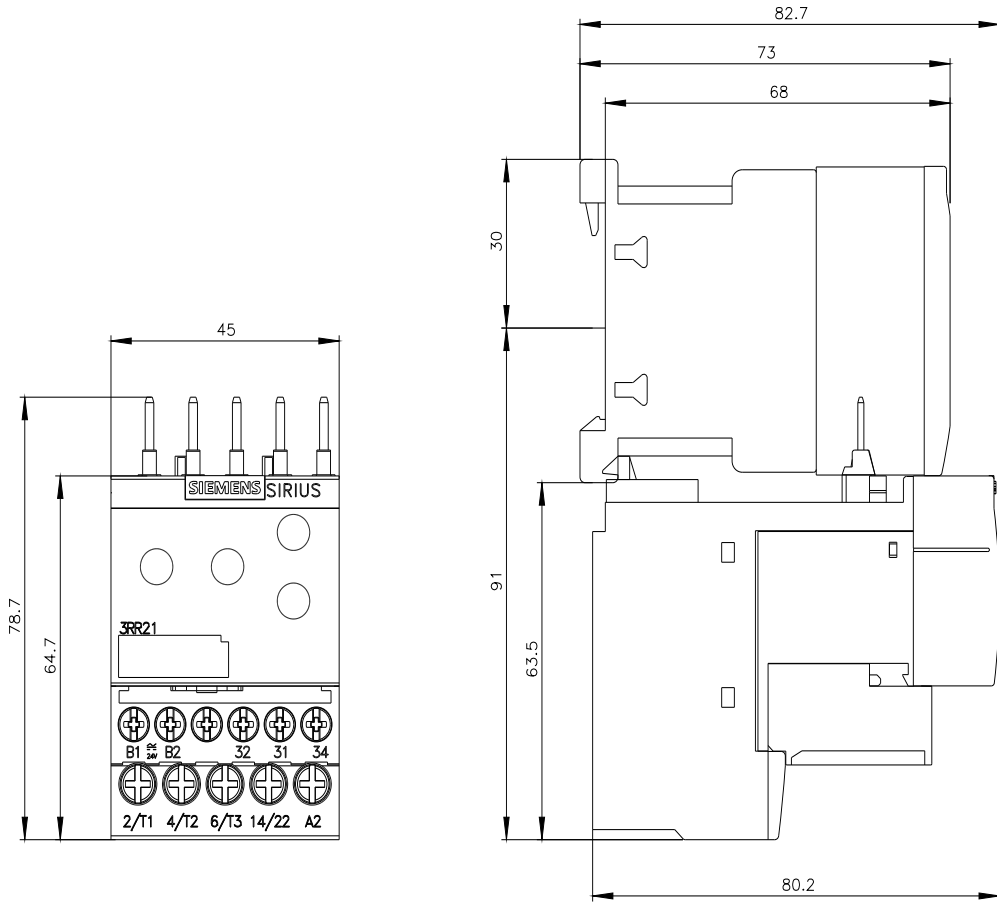
<https://support.industry.siemens.com/cs/ww/en/ps/3RR2141-1AA30>

Image database (product images, 2D dimension drawings, 3D models, device circuit diagrams, EPLAN macros, ...)

[http://www.automation.siemens.com/bilddb/cax\\_de.aspx?mlfb=3RR2141-1AA30&lang=en](http://www.automation.siemens.com/bilddb/cax_de.aspx?mlfb=3RR2141-1AA30&lang=en)

Characteristic: Derating

<https://support.industry.siemens.com/cs/ww/en/ps/3RR2141-1AA30/manual>



last modified:

8/10/2022

