

VARISTOR, AC 24...48 V,DC 24...70 V, SURGE SUPPRESSOR, FOR MOUNTING ONTO CONTACTORS SIZES00



Figure similar

General technical data:		
product brand name		SIRIUS
Product designation		surge suppressor
Size of contactor		S00
Design of the surge suppressor		with varistor
Ambient temperature		
• during storage	°C	-40 ... +80
• during operation	°C	-25 ... +60
Control circuit/ Control:		
Type of voltage of the control supply voltage		AC/DC
Control supply voltage frequency		
• 1 rated value	Hz	50
• 2 rated value	Hz	60
Control supply voltage 1		
• at DC		
— Initial rated value	V	24
— Final rated value	V	70





• at AC

— at 50 Hz Initial rated value	V	24
— at 50 Hz Final rated value	V	48
— at 60 Hz Final rated value	V	48
— at 60 Hz Initial rated value	V	24

Installation/ mounting/ dimensions:

Mounting position		any
Mounting type		clip-on

Certificates/ approvals:

Certificate of suitability	CE / UL / CSA / CCC		
General Product Approval	Functional Safety/Safety of Machinery	Declaration of Conformity	Test Certificates
 CSA	 UL	 EAC	Baumusterprüfbescheinigung  EG-Konf.
			spezielle Prüfbescheinigungen n

Shipping Approval



Shipping Approval

other



Further information

Information- and Downloadcenter (Catalogs, Brochures,...)

<http://www.siemens.com/industrial-controls/catalogs>

Industry Mall (Online ordering system)

<http://www.siemens.com/industrymall>

Cax online generator

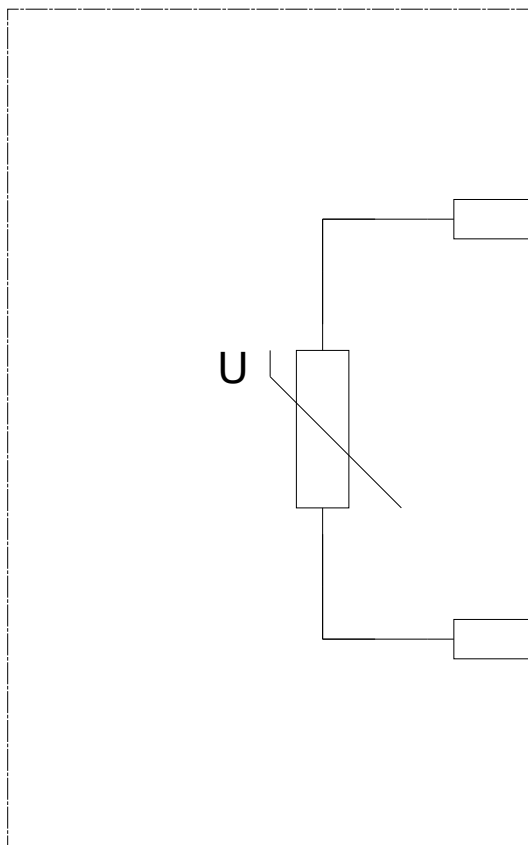
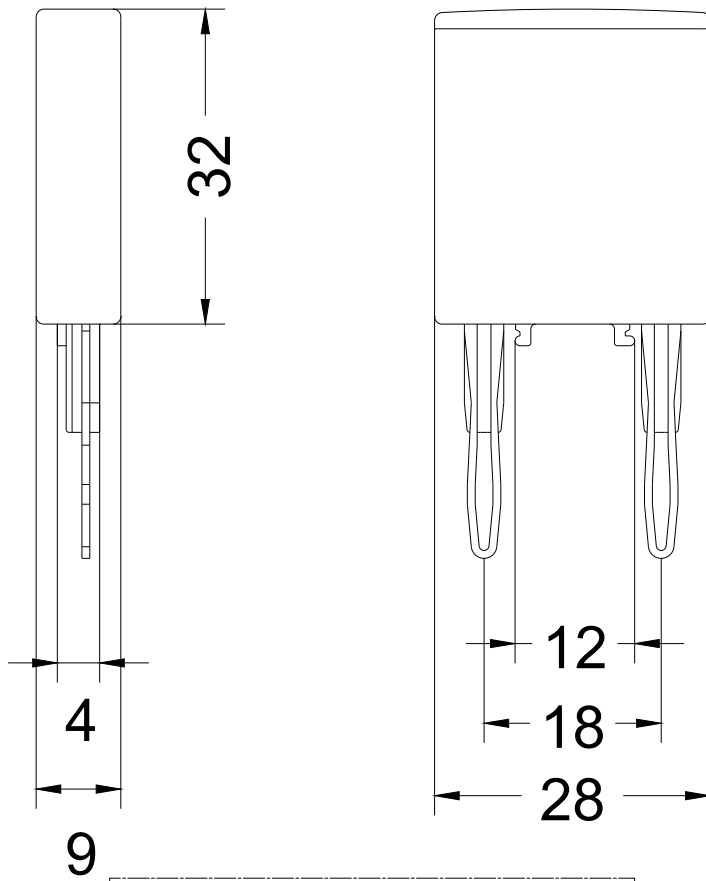
<http://support.automation.siemens.com/WW/CAXorder/default.aspx?lang=en&mlfb=3RT1916-1BB00>

Service&Support (Manuals, Certificates, Characteristics, FAQs,...)

<https://support.industry.siemens.com/cs/ww/en/ps/3RT1916-1BB00>

Image database (product images, 2D dimension drawings, 3D models, device circuit diagrams, EPLAN macros, ...)

http://www.automation.siemens.com/bilddb/cax_de.aspx?mlfb=3RT1916-1BB00&lang=en



last modified:

11/11/2016