



RC-ELEMENT, AC 127...240 V, SURGE SUPPRESSOR, FOR MOUNTING ONTO CONTACTORS SIZE S2 AND S3

General technical data:

product brand name		SIRIUS
Product designation		surge suppressor
Design of the surge suppressor		with RC elements

Control circuit/ Control:

Type of voltage of the control supply voltage		AC/DC
Control supply voltage frequency		
• 1 Rated value	Hz	50
• 2 Rated value	Hz	60
Control supply voltage		
• 1		
— for DC		
— Initial rated value	V	150
— Final rated value	V	250
— with AC		
— at 50 Hz Initial rated value	V	127
— at 50 Hz Final rated value	V	240
— at 60 Hz Final rated value	V	240
— at 60 Hz Initial rated value	V	127

Certificates/ approvals:

General Product Approval	Functional Safety/Safety of Machinery	Declaration of Conformity	Test Certificates
--------------------------	---------------------------------------	---------------------------	-------------------



[Type Examination](#)



[Special Test Certificate](#)

Shipping Approval



Shipping Approval	other
-------------------	-------



[Environmental Confirmations](#)

[Confirmation](#)

[other](#)

Further information

Information- and Downloadcenter (Catalogs, Brochures,...)

<http://www.siemens.com/industrial-controls/catalogs>

Industry Mall (Online ordering system)

<http://www.siemens.com/industrymall>

Cax online generator

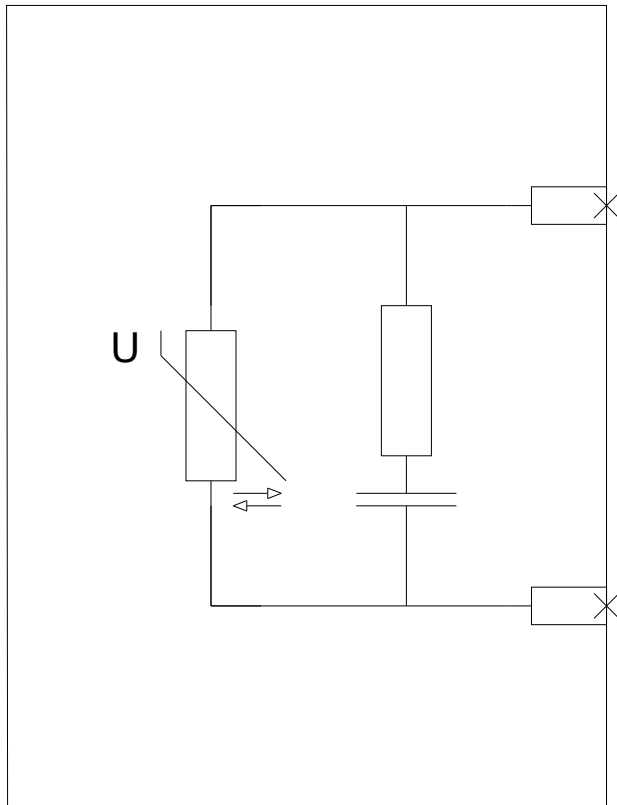
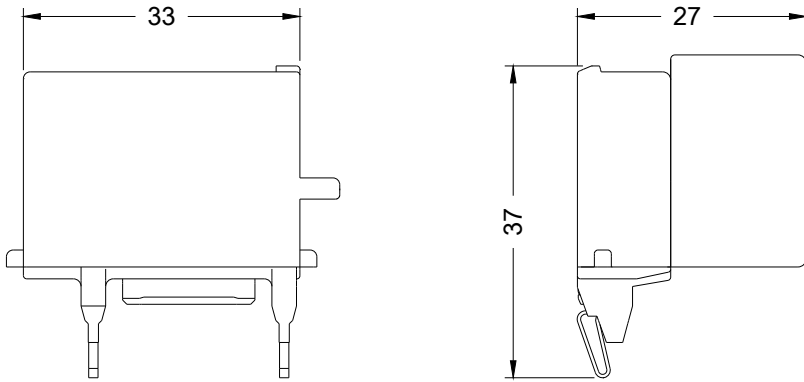
<http://support.automation.siemens.com/WW/CAXorder/default.aspx?lang=en&mlfb=3RT19361CD00>

Service&Support (Manuals, Certificates, Characteristics, FAQs,...)

<http://support.automation.siemens.com/WW/view/en/3RT19361CD00/all>

Image database (product images, 2D dimension drawings, 3D models, device circuit diagrams, EPLAN macros, ...)

<http://www.automation.siemens.com/bilddb/index.aspx?attID9=3RT19361CD00&lang=en>



last modified:

23.02.2015