

Capacitor contactor, AC-6b 25 kVA<sub>r</sub>, / 400 V 1 NO + 2 NC, 24 V AC, 50 Hz 3-pole, Size S0 screw terminal



Figure similar

<b>Product brand name</b>	SIRIUS
<b>Product designation</b>	capacitor contactors
<b>Product type designation</b>	3RT26
<b>General technical data</b>	
<b>Size of contactor</b>	S0
<b>Product extension</b>	No
<ul style="list-style-type: none"> <li>• Auxiliary switch</li> </ul>	No
<b>Surge voltage resistance</b>	
<ul style="list-style-type: none"> <li>• of main circuit rated value</li> <li>• of auxiliary circuit rated value</li> </ul>	6 kV 6 kV
<b>maximum permissible voltage for safe isolation</b>	
<ul style="list-style-type: none"> <li>• between coil and main contacts acc. to EN 60947-1</li> </ul>	400 V
<b>Protection class IP</b>	
<ul style="list-style-type: none"> <li>• on the front</li> <li>• of the terminal</li> </ul>	IP20 IP20
<b>Shock resistance at rectangular impulse</b>	

<ul style="list-style-type: none"> <li>• at AC</li> </ul>	8,3g / 5 ms, 5,3g / 10 ms
<b>Shock resistance with sine pulse</b>	
<ul style="list-style-type: none"> <li>• at AC</li> </ul>	13,5g / 5 ms, 8,3g / 10 ms
<b>Mechanical service life (switching cycles)</b>	
<ul style="list-style-type: none"> <li>• of the contactor with added auxiliary switch block typical</li> </ul>	3 000 000
<b>Electrical endurance (switching cycles)</b>	200 000
<b>Reference code acc. to DIN EN 81346-2</b>	Q

#### Ambient conditions

<b>Installation altitude at height above sea level</b>	
<ul style="list-style-type: none"> <li>• maximum</li> </ul>	2 000 m
<b>Ambient temperature</b>	
<ul style="list-style-type: none"> <li>• during operation</li> </ul>	-25 ... +60 °C
<ul style="list-style-type: none"> <li>• during storage</li> </ul>	-55 ... +80 °C

#### Main circuit

<b>Number of NO contacts for main contacts</b>	3
<b>Number of NC contacts for main contacts</b>	0
<b>Operating current</b>	
<ul style="list-style-type: none"> <li>• at AC-6b at 690 V at ambient temperature 60 °C rated value</li> </ul>	36 A
<b>Operational reactive power at AC-6b</b>	
<ul style="list-style-type: none"> <li>• at 230 V at 50/60 Hz at ambient temperature 60 °C rated value</li> </ul>	5 ... 14 kvar
<ul style="list-style-type: none"> <li>• at 400 V at 50/60 Hz at ambient temperature 60 °C rated value</li> </ul>	8 ... 25 kvar
<ul style="list-style-type: none"> <li>• at 500 V at 50/60 Hz at ambient temperature 60 °C rated value</li> </ul>	10 ... 31 kvar
<ul style="list-style-type: none"> <li>• at 690 V at 50/60 Hz at ambient temperature 60 °C rated value</li> </ul>	14 ... 43 kvar
<b>No-load switching frequency</b>	
<ul style="list-style-type: none"> <li>• at AC</li> </ul>	500 1/h
<b>Operating frequency at AC-6b</b>	
<ul style="list-style-type: none"> <li>• at 230 V maximum</li> </ul>	100 1/h
<ul style="list-style-type: none"> <li>• at 240 V maximum</li> </ul>	100 1/h
<ul style="list-style-type: none"> <li>• at 400 V maximum</li> </ul>	100 1/h
<ul style="list-style-type: none"> <li>• at 480 V maximum</li> </ul>	100 1/h
<ul style="list-style-type: none"> <li>• at 500 V maximum</li> </ul>	100 1/h
<ul style="list-style-type: none"> <li>• at 600 V maximum</li> </ul>	100 1/h
<ul style="list-style-type: none"> <li>• at 690 V maximum</li> </ul>	72 1/h

#### Control circuit/ Control

<b>Type of voltage</b>	AC
<b>Type of voltage of the control supply voltage</b>	AC

<b>Control supply voltage at AC</b>	
• at 50 Hz rated value	24 V
<b>Control supply voltage frequency</b>	
• 1 rated value	50 Hz
<b>Operating range factor control supply voltage rated value of magnet coil at AC</b>	
• at 50 Hz	0.8 ... 1.1
<b>Apparent pick-up power of magnet coil at AC</b>	77 V·A
<b>Inductive power factor with closing power of the coil</b>	0.82
<b>Apparent holding power of magnet coil at AC</b>	9.8 V·A
<b>Inductive power factor with the holding power of the coil</b>	0.25
<b>Closing delay</b>	
• at AC	8 ... 40 ms
<b>Arcing time</b>	10 ... 15 ms
<b>Residual current of the electronics for control with signal &lt;0&gt;</b>	
• at AC at 230 V maximum permissible	7 mA

#### Auxiliary circuit

<b>Number of NC contacts for auxiliary contacts</b>	2
• attachable	0
• instantaneous contact	2
<b>Number of NO contacts for auxiliary contacts</b>	1
• attachable	0
• instantaneous contact	1
<b>Operating current of auxiliary contacts at AC-12 maximum</b>	10 A
<b>Operating current of auxiliary contacts at AC-15</b>	
• at 230 V	6 A
• at 400 V	3 A
<b>Operating current of auxiliary contacts at DC-13</b>	
• at 24 V	6 A
• at 60 V	2 A
• at 110 V	1 A
• at 125 V	0.9 A
• at 220 V	0.3 A
<b>Contact reliability of auxiliary contacts</b>	0.00000001

#### UL/CSA ratings

<b>Contact rating of auxiliary contacts according to UL</b>	A600 / Q600
---	-------------

#### Short-circuit protection

<b>Design of the fuse link</b>	
• for short-circuit protection of the main circuit	

- with type of coordination 1 required
- for short-circuit protection of the auxiliary switch required

gG: 80 A (690 V, 50 kA)

fuse gL/gG: 10 A

### Installation/ mounting/ dimensions

<b>Mounting position</b>	+/-180° rotation possible on vertical mounting surface; can be tilted forward and backward by +/- 22.5° on vertical mounting surface
<b>Mounting type</b>	screw and snap-on mounting onto 35 mm standard mounting rail according to DIN EN 50022
<b>Height</b>	135 mm
<b>Width</b>	45 mm
<b>Depth</b>	155 mm
<b>Required spacing</b>	
<ul style="list-style-type: none"> <li>• with side-by-side mounting <ul style="list-style-type: none"> <li>— at the side</li> </ul> </li> <li>• for grounded parts <ul style="list-style-type: none"> <li>— at the side</li> </ul> </li> </ul>	10 mm
	10 mm

### Connections/Terminals

<b>Type of electrical connection</b>	
<ul style="list-style-type: none"> <li>• for main current circuit</li> <li>• for auxiliary and control current circuit</li> </ul>	<p>screw-type terminals</p> <p>screw-type terminals</p>
<b>Type of connectable conductor cross-sections</b>	
<ul style="list-style-type: none"> <li>• for main contacts <ul style="list-style-type: none"> <li>— solid</li> <li>— stranded</li> <li>— single or multi-stranded</li> <li>— finely stranded with core end processing</li> </ul> </li> <li>• at AWG conductors for main contacts</li> </ul>	<p>2x (1 ... 2.5 mm<sup>2</sup>), 2x (2.5 ... 10 mm<sup>2</sup>)</p> <p>2x (1 ... 2.5 mm<sup>2</sup>), 2x (2.5 ... 10 mm<sup>2</sup>)</p> <p>2x (1 ... 2,5 mm<sup>2</sup>), 2x (2,5 ... 10 mm<sup>2</sup>)</p> <p>2x (1 ... 2.5 mm<sup>2</sup>), 2x (2.5 ... 6 mm<sup>2</sup>), 1x 10 mm<sup>2</sup></p> <p>2x (16 ... 12), 2x (14 ... 8)</p>
<b>Type of connectable conductor cross-sections</b>	
<ul style="list-style-type: none"> <li>• for auxiliary contacts <ul style="list-style-type: none"> <li>— solid</li> <li>— single or multi-stranded</li> <li>— finely stranded with core end processing</li> </ul> </li> <li>• at AWG conductors for auxiliary contacts</li> </ul>	<p>2x (0.5 ... 1.5 mm<sup>2</sup>), 2x (0.75 ... 2.5 mm<sup>2</sup>), 2x 4 mm<sup>2</sup></p> <p>2x (0,5 ... 1,5 mm<sup>2</sup>), 2x (0,75 ... 2,5 mm<sup>2</sup>), 2x 4 mm<sup>2</sup></p> <p>2x (0.5 ... 1.5 mm<sup>2</sup>), 2x (0.75 ... 2.5 mm<sup>2</sup>)</p> <p>2x (20 ... 16), 2x (18 ... 14), 2x 12</p>
<b>Type of minimum connectable cross-section for main contacts at AC-6b</b>	
<ul style="list-style-type: none"> <li>• at 40 °C</li> <li>• at 60 °C</li> </ul>	<p>1x 10 mm<sup>2</sup></p> <p>2x 10 mm<sup>2</sup></p>
AWG number as coded connectable conductor cross section for main contacts	16 ... 8

### Safety related data

<b>Product function</b>	
-------------------------	--

- Mirror contact acc. to IEC 60947-4-1
- positively driven operation acc. to IEC 60947-5-1

No

No

Protection against electrical shock

finger-safe

## Certificates/approvals

### General Product Approval

### Declaration of Conformity

### Test Certificates



CCC



CSA



UL



EG-Konf.

[Type Test Certificates/Test Report](#)

### Marine / Shipping



ABS



BUREAU VERITAS



GL



LRS



RINA



RMRS

### Marine / Shipping

### other



DNVGL.COM/AF

[Confirmation](#)



VDE

## Further information

### Information- and Downloadcenter (Catalogs, Brochures,...)

<http://www.siemens.com/industrial-controls/catalogs>

### Industry Mall (Online ordering system)

<https://mall.industry.siemens.com/mall/en/en/Catalog/product?mlfb=3RT2627-1AB05>

### Cax online generator

<http://support.automation.siemens.com/WW/CAXorder/default.aspx?lang=en&mlfb=3RT2627-1AB05>

### Service&Support (Manuals, Certificates, Characteristics, FAQs,...)

<https://support.industry.siemens.com/cs/ww/en/ps/3RT2627-1AB05>

### Image database (product images, 2D dimension drawings, 3D models, device circuit diagrams, EPLAN macros, ...)

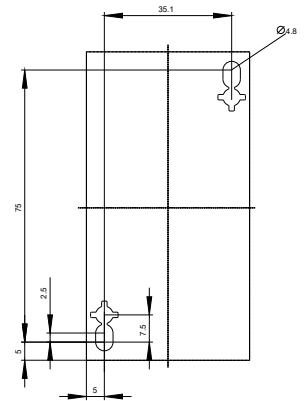
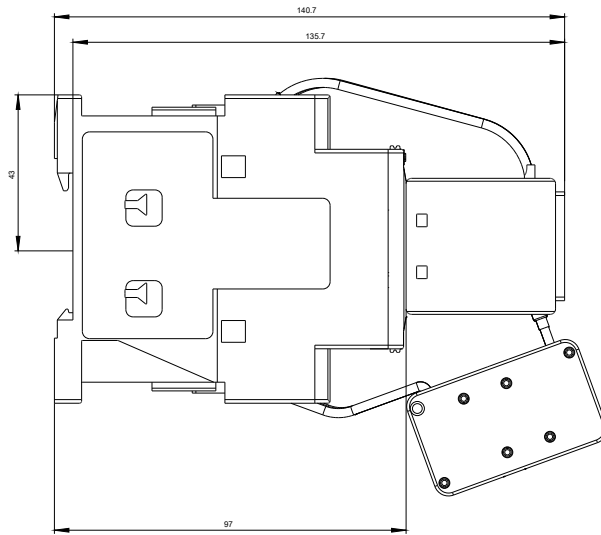
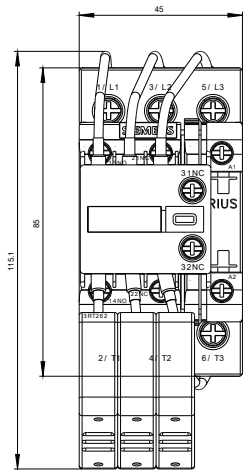
[http://www.automation.siemens.com/bilddb/cax\\_de.aspx?mlfb=3RT2627-1AB05&lang=en](http://www.automation.siemens.com/bilddb/cax_de.aspx?mlfb=3RT2627-1AB05&lang=en)

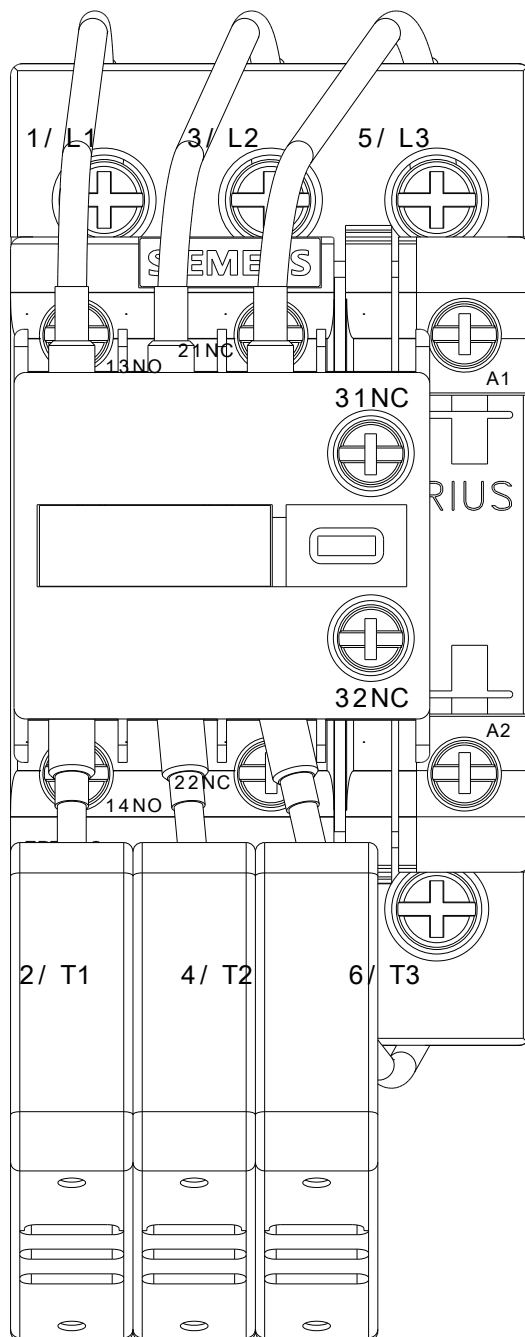
### Characteristic: Tripping characteristics, I<sup>2</sup>t, Let-through current

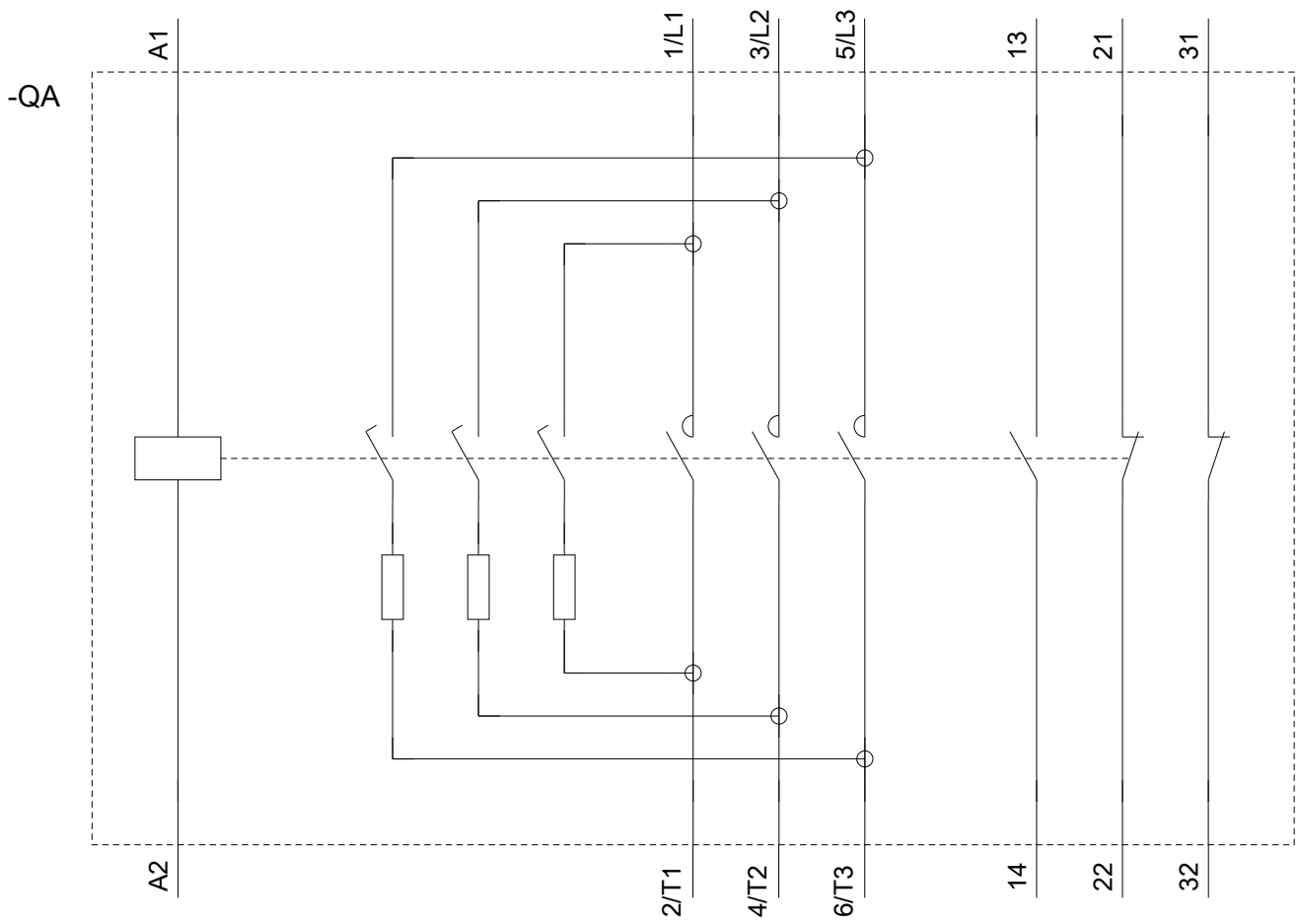
<https://support.industry.siemens.com/cs/ww/en/ps/3RT2627-1AB05/char>

### Further characteristics (e.g. electrical endurance, switching frequency)

<http://www.automation.siemens.com/bilddb/index.aspx?view=Search&mlfb=3RT2627-1AB05&objecttype=14&gridview=view1>







last modified:

07/30/2018