



OVERLOAD RELAY, 2.8...4 A, 1NO+1NC,  
SIZE S00, CLASS 10,  
FOR CONTACTOR MOUNTING

### General technical details:

<b>Product brand name</b>		SIRIUS
<b>Product designation</b>		thermal overload relay
<b>Protection class IP / frontal/front side</b>		IP20
<b>Insulation voltage / with degree of pollution 3 / rated value</b>	V	690
<b>Altitude of installation site / at a height over sea level / maximum</b>	m	2,000
<b>Ambient temperature</b>		
• during the operating phase	°C	-20 ... 70
• during storage	°C	-55 ... 80
• during transport	°C	-55 ... 80
<b>Relative humidity / during the operating phase / maximum</b>	%	100
<b>Resistance against shock</b>		8g / 10 ms
<b>Impulse voltage resistance / rated value</b>	kV	6
<b>Real loss power / total / typical</b>	W	6.6
<b>Item designation</b>		
• according to DIN 40719 extendable after IEC 204-2 / according to IEC 750		F
• according to DIN EN 61346-2		F
<b>Operating current / of the fuse link / rated value</b>	A	16
<b>Trip class</b>		CLASS 10

Type of assignment		2
Type of protection		DMT 98 ATEX G 001
Size of overload relay		S00
Size of the contactor / can be combined / company-specific		S00
Protection against electrical shock		finger-safe

#### Main circuit:

Number of poles / for main current circuit		3
Operating voltage / at 3 AC / rated value		
• maximum	V	690
Service power / at AC-3		
• at 400 V	kW	1.5
Adjustable response current		
• of the current-dependent overload release	A	2.8 ... 4

#### Auxiliary circuit:

Contact reliability / of the auxiliary contacts		acceptability for PLC control (17 V, 5 mA)
Number of NC contacts		1
Number of NO contacts		1
Number of change-over switches		0
Operating current / of the auxiliary contacts / at AC-15		
• at 24 V	A	3
• at 110 V	A	3
• at 120 V	A	3
• at 125 V	A	3
• at 230 V	A	2
• at 400 V	A	1
Operating current / of the auxiliary contacts / at DC-13		
• at 24 V	A	1
• at 110 V	A	0.22
• at 125 V	A	0.22
• at 220 V	A	0.11

#### Short-circuit:

Design of the fuse link / for short-circuit protection of the auxiliary switch / required		fuse gL/gG: 6 A, quick: 10 A
---	--	------------------------------

#### Installation/mounting/dimensions:

built in orientation		with vertical mounting surface +/-135° rotatable, with vertical mounting surface +/- 45° tiltable to the front and back
Type of fixing/fixation		direct mounting

<b>Height</b>	mm	87
<b>Width</b>	mm	45
<b>Depth</b>	mm	78
<b>distance, to be maintained, to the ranks assembly</b>		
• upwards	mm	0
• downwards	mm	0
• forwards	mm	0
• backwards	mm	0
• sideways	mm	0
<b>distance, to be maintained, to earthed part</b>		
• upwards	mm	0
• downwards	mm	0
• forwards	mm	0
• backwards	mm	0
• sideways	mm	6
<b>distance, to be maintained, conductive elements</b>		
• upwards	mm	0
• downwards	mm	0
• forwards	mm	0
• backwards	mm	0
• sideways	mm	6

#### Connection type:

<b>Product function</b>		
• removable terminal for auxiliary and control circuit		No
<b>design of the electrical connection</b>		
• for main current circuit		screw-type terminals
• for auxiliary and control current circuit		screw-type terminals
<b>Type of the connectable conductor cross-section</b>		
• for main contacts		
• unifilar		2 x (0.5 ... 1.5 mm <sup>2</sup> ), 2 x (0.75 ... 2.5 mm <sup>2</sup> ), max. 2 x (1 ... 4 mm <sup>2</sup> )
• stranded wire		2 x (0.5 ... 1.5 mm <sup>2</sup> ), 2 x (0.75 ... 2.5 mm <sup>2</sup> ), max. 2 x (1 ... 4 mm <sup>2</sup> )
• stranded wire		
• with conductor end processing		2x (0.5 ... 1.5 mm <sup>2</sup> ), 2x (0.75 ... 2.5 mm <sup>2</sup> )
• for auxiliary contacts		
• solid		2x (0.5 ... 1.5 mm <sup>2</sup> ), 2x (0.75 ... 2.5 mm <sup>2</sup> )
• finely stranded		
• with wire end processing		2x (0.5 ... 1.5 mm <sup>2</sup> ), 2x (0.75 ... 2.5 mm <sup>2</sup> )
• without conductor final cutting		2x (0,5 ... 1,5 mm <sup>2</sup> ), 2x (0,75 ... 2,5 mm <sup>2</sup> )

<ul style="list-style-type: none"> <li>• at AWG-conductors</li> <li>• for main contacts</li> <li>• for auxiliary contacts</li> </ul>		2x (18 ... 14)
<ul style="list-style-type: none"> <li>• for main contacts</li> <li>• unifilar</li> <li>• stranded wire</li> <li>• stranded wire <ul style="list-style-type: none"> <li>• with conductor end processing</li> </ul> </li> </ul>	mm <sup>2</sup>	0.5 ... 4
<ul style="list-style-type: none"> <li>• for auxiliary contact</li> <li>• unifilar</li> <li>• stranded wire <ul style="list-style-type: none"> <li>• with conductor end processing</li> <li>• without conductor final cutting</li> </ul> </li> </ul>	mm <sup>2</sup>	0.5 ... 2.5
<ul style="list-style-type: none"> <li>• for main contacts / minimum</li> <li>• for auxiliary contact</li> </ul>		18
		18 ... 14

#### Certificates/approvals:

verification of suitability	CSA / UL / CC / GL / LRS / BV / DNV / RMRS / RINA / PRS / ABS
varification of suitability / ATEX	Yes

#### Further information:

##### Information- and Downloadcenter (Catalogs, Brochures,...)

<http://www.siemens.com/industrial-controls/catalogs>

##### Global Industry Mall (Online ordering system)

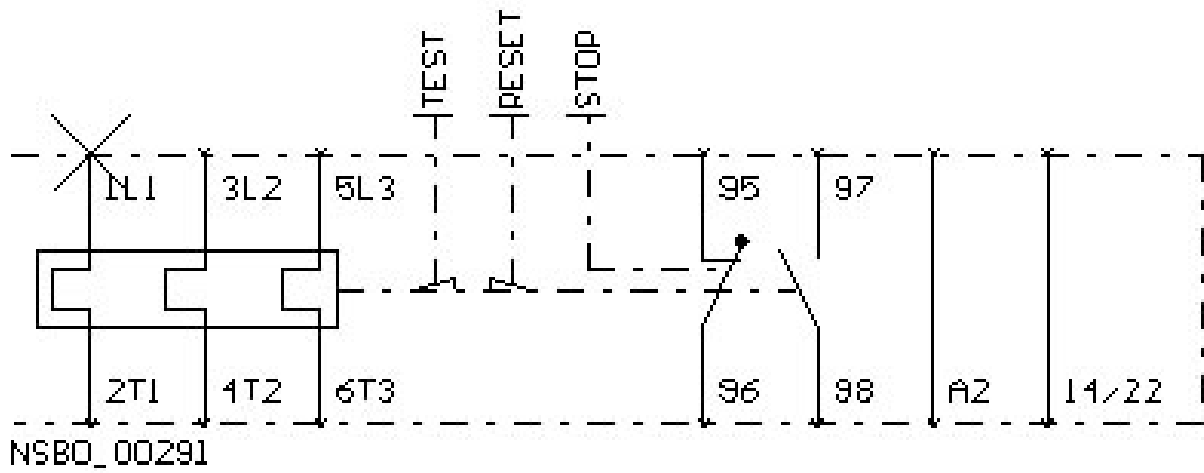
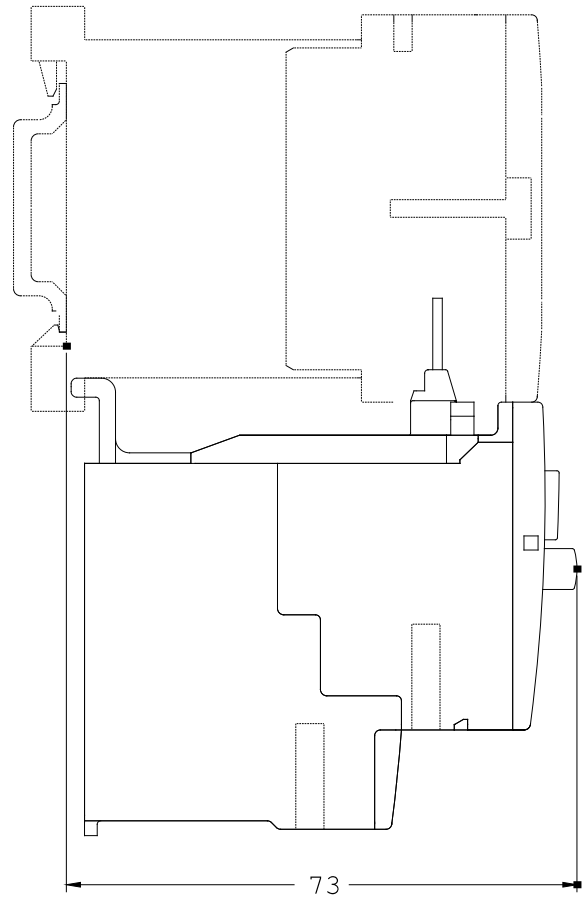
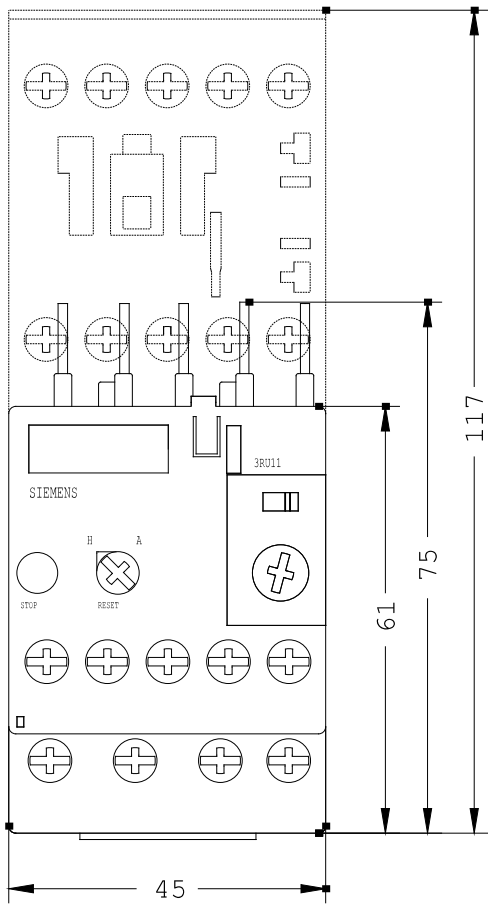
<http://www.siemens.com/industrial-controls/mall>

##### Service&Support (Manuals, Certificates, Characteristics, FAQs,...)

<http://support.automation.siemens.com/WW/view/en/3RU1116-1EB0/all>

##### Image database (product images, 2D dimension drawings, 3D models, device circuit diagrams, ...)

[http://www.automation.siemens.com/bilddb/cax\\_en.aspx?mlfb=3RU1116-1EB0](http://www.automation.siemens.com/bilddb/cax_en.aspx?mlfb=3RU1116-1EB0)



last change:

Jun 14, 2010