



CIRCUIT-BREAKER N-RELEASE 1170 A,
 SIZE S3 STARTER PROTECTION,
 50 KA SCREW CONNECTION STANDARD BREAKING
 CAPACITY

General technical data:

product brand name		SIRIUS
Product designation		circuit breaker
Size of the circuit-breaker		S3
Number of poles / for main current circuit		3
Product function		
• removable terminal for auxiliary and control circuit		No
• overload protection		No
• phase disturbance recognition		No
• short-circuit to earth recognition		No
Product component		
• auxiliary switch		No
• undervoltage release mechanism		No
• trip indicator		No
Product extension		
• auxiliary switch		Yes
• optional / motor drive		Yes
Impulse voltage resistance / rated value	V	6,000
Protection class IP / on the front		IP20
Protection against electrical shock		finger-safe

Installation altitude / at a height over sea level / maximum	m	2,000
Resistance against shock		25g / 11 ms
Ambient temperature		
• during transport	°C	-50 ... +80
• during storage	°C	-50 ... +80
• during operating	°C	-20 ... +70
Active power loss / total / typical	W	30

Main circuit:

Operating voltage / rated value	V	690
type of voltage		AC/DC
Service power / at AC-3 / at 400 V / rated value	kW	45
Operating current / at AC-3 / at 400 V / rated value	A	90
Mechanical operating cycles as operating time / of the main contacts / typical		50,000
Frequency of operation / at AC-3 / according to IEC 60947-6-2	1/h	15

Auxiliary circuit:

Number of changeover contacts / for auxiliary contacts		0
---	--	---

Protection function:

Breaking capacity limit short-circuit current (I_{cu})		
• at 400 V / rated value	kA	50
• at 500 V / rated value	kA	8
• at 690 V / rated value	kA	5

Installation/mounting/dimensions:

Type of mounting		screw and snap-on mounting onto 35 mm standard mounting rail according to DIN EN 50022
mounting position		any
Depth	mm	174
Height	mm	165
Width	mm	70

Connections:

Arrangement of electrical connectors / for main current circuit		front side
Design of the electrical connection		
• for main current circuit		screw-type terminals with box terminals
• for auxiliary and control current circuit		screw-type terminals
Type of the connectable conductor cross-section		
• for main contacts		
• solid		2x (2.5 ... 16 mm ²)

- finely stranded
 - with conductor end processing
- stranded
- for AWG conductors / for main contacts

2x (2.5 ... 35 mm²), 2.5 ... 50 mm²
 2x (10 ... 50 mm²), 10 ... 70 mm²
 2x (10 ... 1), 1x (10 ... 2)

Certificates/approvals:

General Product Approval



Test Certificates

[Special Test Certificate](#)

Shipping Approval



other

[Confirmation](#)

[Declaration of Conformity](#)

[other](#)

[Environmental Confirmations](#)

Further information:

Information- and Downloadcenter (Catalogs, Brochures,...)

<http://www.siemens.com/industrial-controls/catalogs>

Industry Mall (Online ordering system)

<http://www.siemens.com/industrial-controls/mall>

Cax online generator:

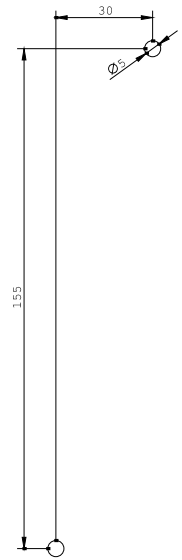
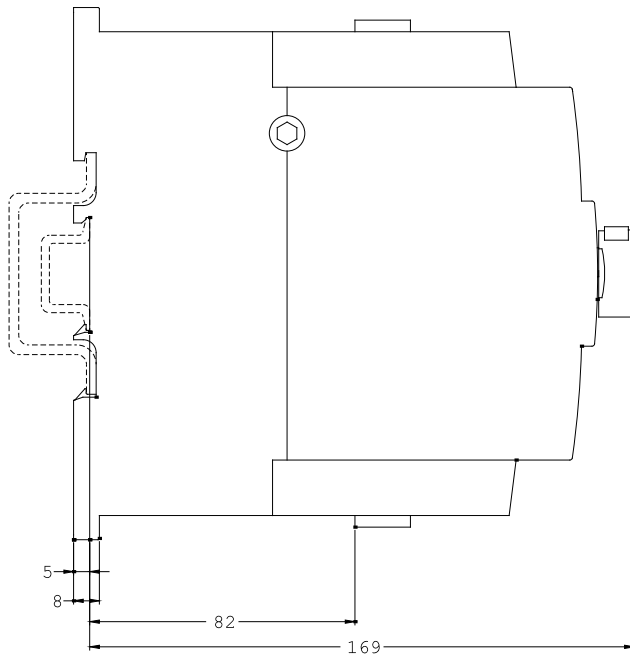
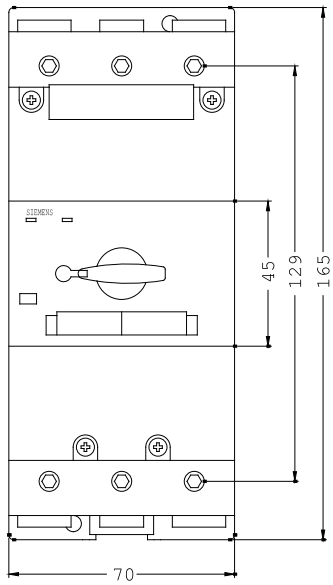
<http://www.siemens.com/cax>

Service&Support (Manuals, Certificates, Characteristics, FAQs,...)

<http://support.automation.siemens.com/WW/view/en/3RV1341-4LC10/all>

Image database (product images, 2D dimension drawings, 3D models, device circuit diagrams, ...)

http://www.automation.siemens.com/bilddb/cax_en.aspx?mlfb=3RV1341-4LC10



last change:

Oct 28, 2013