

CABLE CONNECTOR,  
FOR CIRCUIT-BREAKER SIZE S00 WITH SCREW  
TERMINAL (INDIVIDUAL PACKING)

Certificates/approvals:

General Product Approval	Test Certificates	Shipping Approval	other
<a href="#">CQC</a>	<a href="#">Manufacturer</a>	<a href="#">ABS</a>	<a href="#">Manufacturer</a>

Further information:

Information- and Downloadcenter (Catalogs, Brochures,...)

<http://www.siemens.com/industrial-controls/catalogs>

Industry Mall (Online ordering system)

<http://www.siemens.com/industrial-controls/mall>

CAX-Online-Generator

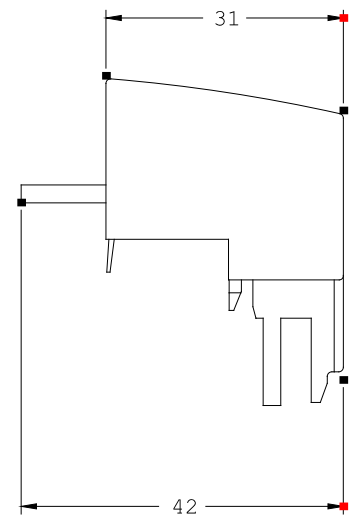
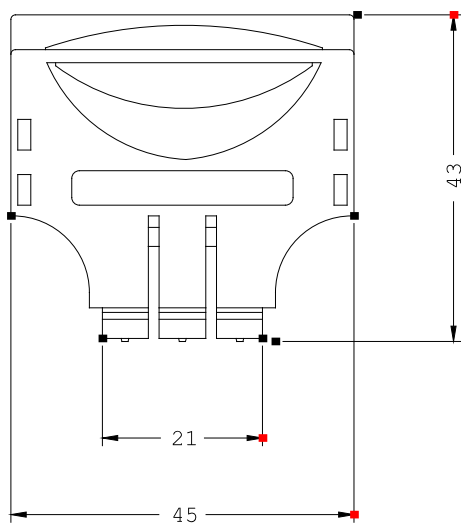
<http://www.siemens.com/cax>

Service&Support (Manuals, Certificates, Characteristics, FAQs,...)

<http://support.automation.siemens.com/WW/view/en/3RV1917-5CA00/all>

Image database (product images, 2D dimension drawings, 3D models, device circuit diagrams, ...)

[http://www.automation.siemens.com/bilddb/cax\\_en.aspx?mlfb=3RV1917-5CA00](http://www.automation.siemens.com/bilddb/cax_en.aspx?mlfb=3RV1917-5CA00)



last change: