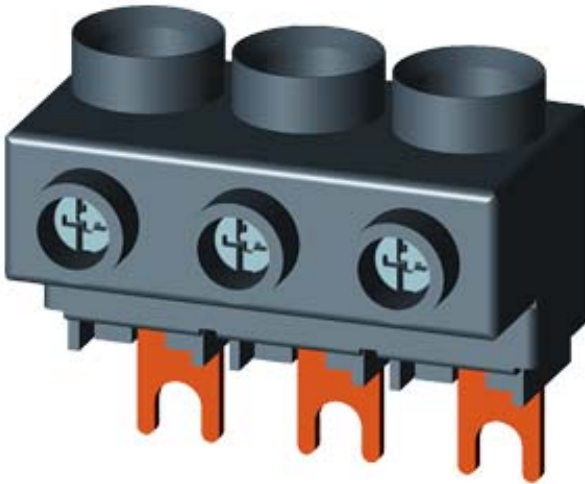


3-PHASE INFEED TERMINAL,
FOR 3-PHASE BUSBARS,
CONNECTION FROM ABOVE, SIZE S00/S0



General technical data:

product brand name		SIRIUS
Size of the circuit-breaker		S00, S0
Protection class IP / on the front		IP20
Insulation voltage / with degree of pollution 3		
• Rated value	V	690
Ambient temperature		
• during storage	°C	-50 ... +80
• during operation	°C	-20 ... +60
Ampacity / maximum	A	63

Installation/mounting/dimensions:

Width	mm	44.5
Height	mm	39
Depth	mm	27.2
Suitability for use / enables assembly of self-protected combination motor controllers (type E) acc. to UL 508		No

Connections:

Design of the electrical connection		
• for main current circuit		screw-type terminals

Type of connectable conductor cross-section

- for main contacts
 - solid
 - stranded
 - finely stranded
 - with core end processing
- for AWG conductors / for main contacts

1x (2.5 ... 16 mm²)1x (2.5 ... 25 mm²)1x (2.5 ... 16 mm²)

1x (10 ... 4)

Certificates/approvals:**Certificate of suitability**

CE / UL / CSA / CCC

General Product Approval**Declaration of Conformity****Test Certificates**

CSA



UL



EG-Konf.

[Special Test Certificate](#)[Type Test Certificates/Test Report](#)**Shipping Approval**

ABS

BUREAU
VERITAS

DNV



GL



LRS



PRS

Shipping Approval**other**

RINA

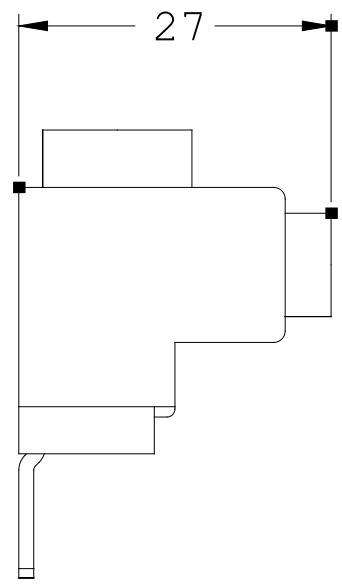
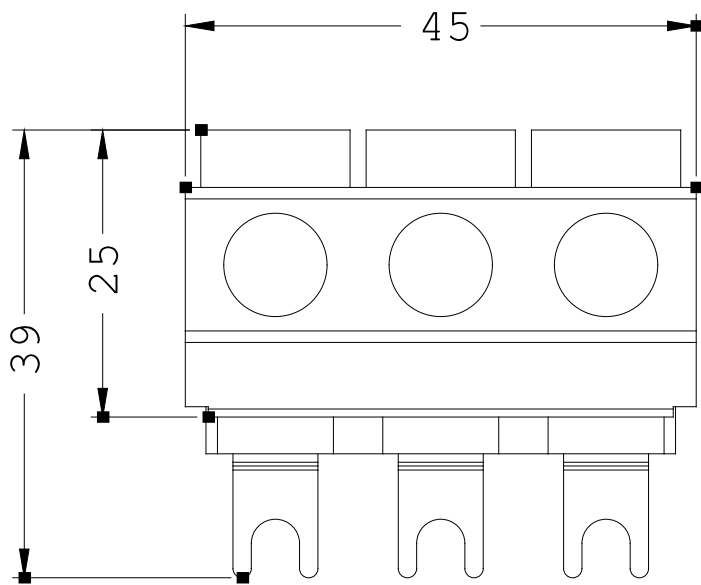


RMRS

[Confirmation](#)

VDE

[other](#)[Environmental Confirmations](#)**Further information:****Information- and Downloadcenter (Catalogs, Brochures,...)**<http://www.siemens.com/industrial-controls/catalogs>**Industry Mall (Online ordering system)**<http://www.siemens.com/industrial-controls/mall>**Cax online generator:**<http://www.siemens.com/cax>**Service&Support (Manuals, Certificates, Characteristics, FAQs,...)**<http://support.automation.siemens.com/WW/view/en/3RV2925-5AB/all>**Image database (product images, 2D dimension drawings, 3D models, device circuit diagrams, ...)**http://www.automation.siemens.com/bilddb/cax_en.aspx?mlfb=3RV2925-5AB



last change:

Nov 17, 2014