



22MM PLASTIC ROUND ACTUATOR: PUSHBUTTON WITH FLAT BUTTON WITH HOLDER RED

Actuator:		
Design of the product		Single device round
Design of the operating mechanism		Pushbutton
Manner of function / of the actuating element		Momentary contact type
Type of unlocking device		without
Color / of the actuating element		Red
Material / of the actuating element		plastic
Shape / of the actuating element		Flat pushbutton
Number of switching positions		2
Product component / front ring		Yes
Material / of the front ring		plastic
Color / of the front ring		black
Design of the front ring		Standard
Product function / EMERGENCY STOP function		No

Holder:		
Material / of the holder		Plastic

General technical data:		
Shock resistance		
<ul style="list-style-type: none"> <li>• for devices without incandescent lamp / acc. to IEC 60068-2-27</li> </ul>		<= 50g

Vibration resistance / acc. to IEC 60068-2-6		20 ... 200 Hz: 5g
Operating frequency / maximum	1/h	1,000
Mechanical service life (switching cycles) / typical		10,000,000
Reference code		S
<ul style="list-style-type: none"> <li>• acc. to DIN EN 61346-2</li> <li>• acc. to DIN 40719 extended according to IEC 204-2 / acc. to IEC 750</li> </ul>		S
Tightening torque / of the screws in the bracket / maximum	N-m	1
Ambient temperature		
<ul style="list-style-type: none"> <li>• during operation</li> <li>• during storage</li> </ul>	°C	-25 ... +70
	°C	-40 ... +80
Protection class IP		IP66
Climate class / during operation / acc. to EN 60721		3K6
Mounting type		front mounting
Shape / of the installation opening		round
Installation width	mm	28.5
Mounting diameter	mm	22
Mounting height	mm	8
Installation depth	mm	29

#### Certificates/ approvals:

##### General Product Approval



[Special Test Certificate](#)

##### Shipping Approval



##### other

[Confirmation](#)

[other](#)

[Environmental Confirmations](#)

#### Further information:

##### Information- and Downloadcenter (Catalogs, Brochures,...)

<http://www.siemens.com/industrial-controls/catalogs>

##### Industry Mall (Online ordering system)

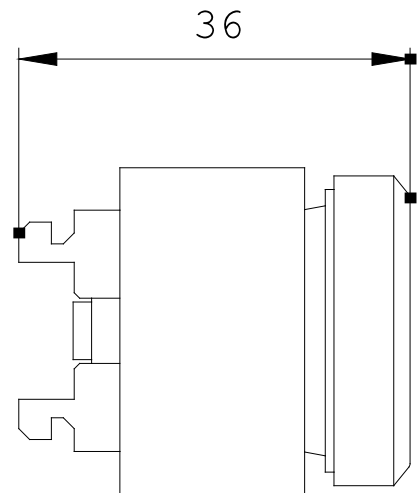
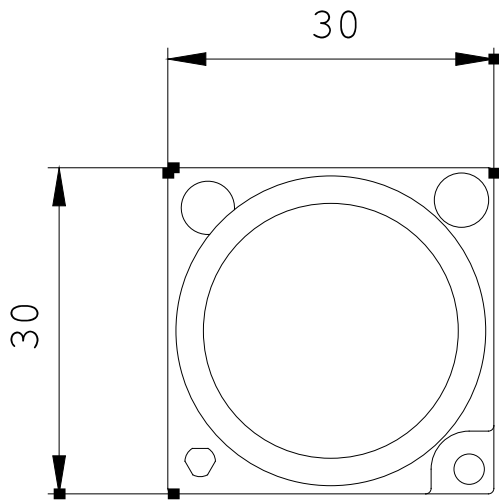
<http://www.siemens.com/industrial-controls/mall>

##### Cax online generator

<http://www.siemens.com/cax>

##### Service&Support (Manuals, Certificates, Characteristics, FAQs,...)

<http://support.automation.siemens.com/WW/view/en/3SB3000-0AA21/all>



last change:

Jun 16, 2014