



22MM PLASTIC ROUND ACTUATOR: PUSHBUTTON WITH FLAT BUTTON WITH HOLDER GRAY

Actuator:	
Design of the product	Single device round
Design of the operating mechanism	Pushbutton
Manner of function / of the actuating element	Momentary contact type
Type of unlocking device	without
Color / of the actuating element	gray
Material / of the actuating element	plastic
Shape / of the actuating element	Flat pushbutton
Number of switching positions	2
Product component / front ring	Yes
Material / of the front ring	plastic
Color / of the front ring	black
Design of the front ring	Standard
Product function / EMERGENCY STOP function	No

Holder:	
Material / of the holder	Plastic

General technical data:	
Shock resistance	
<ul style="list-style-type: none"> for devices without incandescent lamp / acc. to IEC 60068-2-27 	<= 50g

Vibration resistance / acc. to IEC 60068-2-6		20 ... 200 Hz: 5g
Operating frequency / maximum	1/h	1,000
Mechanical service life (switching cycles) / typical		10,000,000
Reference code		S
<ul style="list-style-type: none"> • acc. to DIN EN 61346-2 • acc. to DIN 40719 extended according to IEC 204-2 / acc. to IEC 750 		S
Tightening torque / of the screws in the bracket / maximum	N-m	1
Ambient temperature		
<ul style="list-style-type: none"> • during operation • during storage 	°C	-25 ... +70
	°C	-40 ... +80
Protection class IP		IP66
Climate class / during operation / acc. to EN 60721		3K6
Mounting type		front mounting
Shape / of the installation opening		round
Installation width	mm	28.5
Mounting diameter	mm	22
Mounting height	mm	8
Installation depth	mm	29

Certificates/ approvals:

General Product Approval



[Special Test Certificate](#)

Shipping Approval



other

[Confirmation](#)

[other](#)

[Environmental Confirmations](#)

Further information:

Information- and Downloadcenter (Catalogs, Brochures,...)

<http://www.siemens.com/industrial-controls/catalogs>

Industry Mall (Online ordering system)

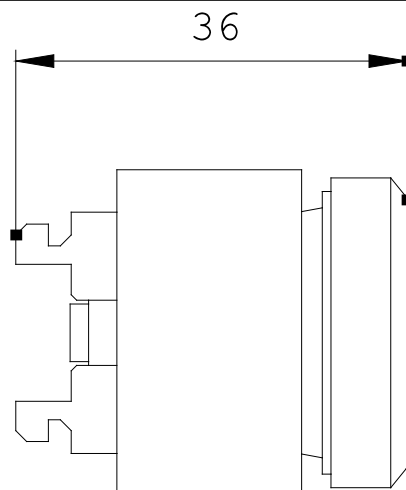
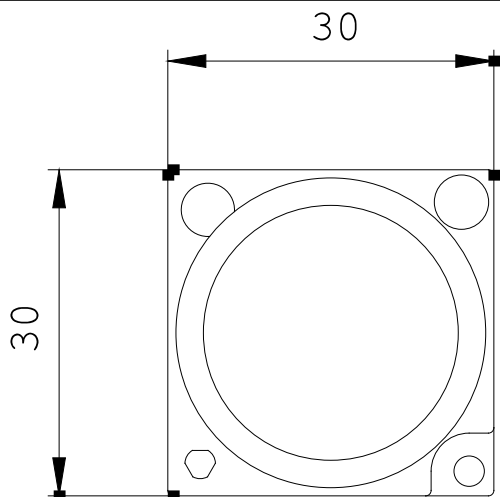
<http://www.siemens.com/industrial-controls/mall>

Cax online generator

<http://www.siemens.com/cax>

Service&Support (Manuals, Certificates, Characteristics, FAQs,...)

<http://support.automation.siemens.com/WW/view/en/3SB3000-0AB51/all>



last change:

Jun 16, 2014