

22MM PLASTIC ROUND ACTUATOR: EMERGEN.-STOP MUSHR.PUSHB. 40MM WITH RONIS KEY-OPER.SWITCH LATCHING WITH KEY-OPER.SWITCH- UNLOCKING LOCK NO SB30 WITH HOLDER RED



| Actuator / signaling device: | | |
|--|--|--|
| Design of the operating mechanism | | Emergency stop mushroom pushbutton with lock |
| Type of unlocking device | | key unlatching |
| Material / of the activation element | | plastic |
| Number of switching positions | | 2 |
| Switch position for key distraction | | ON/OFF |
| Product component / front ring | | No |
| Product function / EMERGENCY STOP function | | Yes |

| Holder: | | |
|----------------------|--|---------|
| Material / of holder | | Plastic |

| General technical details: | | |
|---|-----|-------------------|
| Resistance against shock | | |
| <ul style="list-style-type: none"> for devices without incandescent lamp / according to IEC 60068-2-27 | | <= 50g |
| Resistance against vibration / according to IEC 60068-2-6 | | 20 ... 200 Hz: 5g |
| Operating cycles / maximum | 1/h | 1,000 |
| Mechanical operating cycles as operating time / typical | | 300,000 |
| Item designation | | |
| <ul style="list-style-type: none"> according to DIN EN 61346-2 | | S |

| | | |
|--|-----|----------------|
| <ul style="list-style-type: none"> according to DIN 40719 extendable after IEC 204-2 / according to IEC 750 | | S |
| Tightening torque / of the screws in the bracket / maximum | N-m | 1 |
| Ambient temperature | | |
| <ul style="list-style-type: none"> during operating | °C | -25 ... +70 |
| <ul style="list-style-type: none"> during storage | °C | -40 ... +80 |
| Protection class IP | | IP66 |
| B10 value / with high demand rate / according to SN 31920 | | 100,000 |
| Proportion of dangerous failures / with high demand rate / according to SN 31920 | % | 20 |
| Proportion of dangerous failures / with low demand rate / according to SN 31920 | % | 20 |
| Failure rate (FIT value) / with low demand rate / according to SN 31920 | FIT | 100 |
| T1 value / for proof test interval or service life / according to IEC 61508 | a | 20 |
| climatic class / during the operating phase / according to EN 60721 | | 3K6 |
| Type of mounting | | front mounting |
| Shape / of the installation hole | | round |
| Installation width | mm | 40 |
| Mounting diameter | mm | 22 |
| Mounting height | mm | 23.5 |
| Mounting depth | mm | 29 |

Certificates/approvals:

General Product Approval



CSA



GOST



UL

Test Certificates

[Special Test Certificate](#)

Shipping Approval



ABS



BUREAU
VERITAS



DNV



LRS



PRS



RINA

other

[Confirmation](#)

[other](#)

[Environmental Confirmations](#)

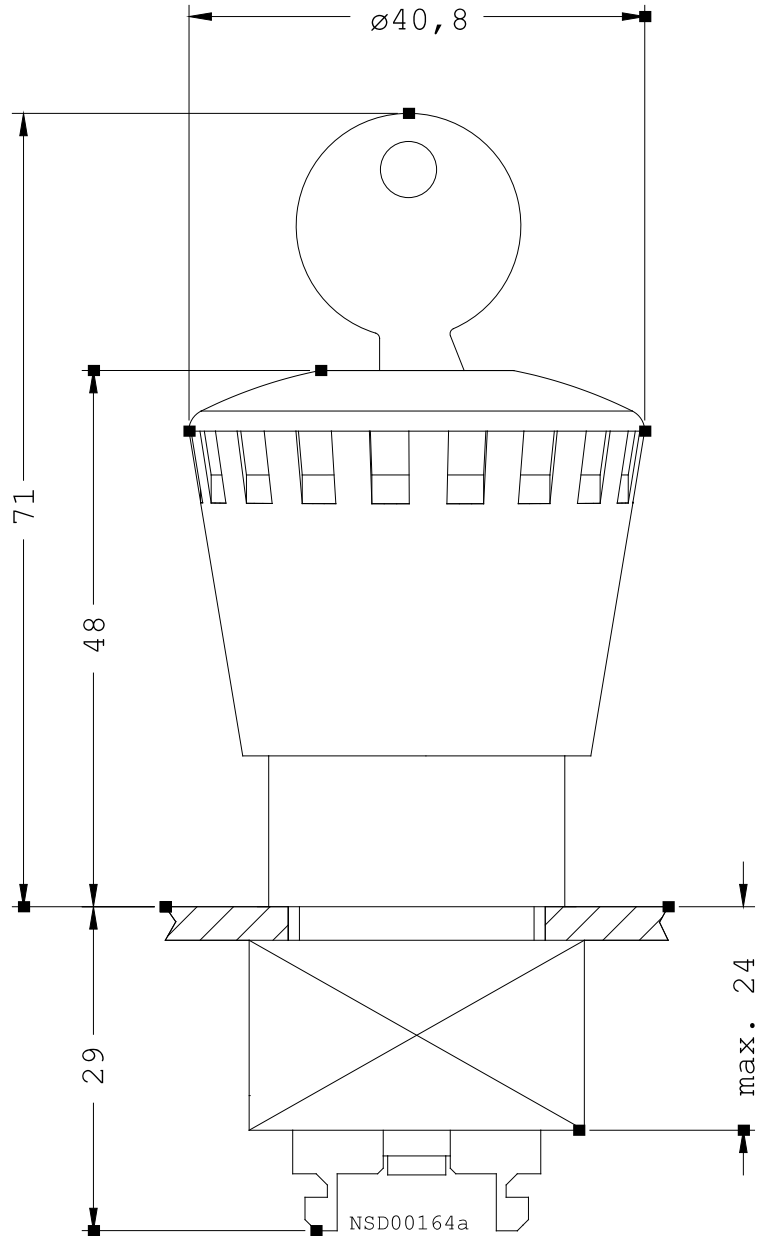
Further information:

Information- and Downloadcenter (Catalogs, Brochures,...)

<http://www.siemens.com/industrial-controls/catalogs>

Industry Mall (Online ordering system)

<http://www.siemens.com/industrial-controls/mall>



last change:

Jun 26, 2012