



22MM PLASTIC ROUND ACTUATOR: PUSH-PULL
 BUTTON 40MM LATCHING W.PULL-TO-UNLOCK MECH.
 WITH HOLDER BLACK

Actuator / signaling device:	
Design of the operating mechanism	Mushroom-shaped push-pull switch
Type of unlocking device	pull-to-unlatch mechanism
Color / of the activation element	black
Material / of the activation element	plastic
Number of switching positions	2
Product component / front ring	Yes
Material / of the front ring	plastic
Color / of the front ring	black
Design of front ring	Standard
Product function / EMERGENCY STOP function	No

Holder:	
Material / of holder	Plastic

General technical details:	
Resistance against shock <ul style="list-style-type: none"> • for devices without incandescent lamp / according to IEC 60068-2-27 	<= 50g
Resistance against vibration / according to IEC 60068-2-6	20 ... 200 Hz: 5g
Operating cycles / maximum	1/h 1,000

Mechanical operating cycles as operating time / typical		300,000
Item designation		S
<ul style="list-style-type: none"> • according to DIN EN 61346-2 • according to DIN 40719 extendable after IEC 204-2 / according to IEC 750 		S
Tightening torque / of the screws in the bracket / maximum	N·m	1
Ambient temperature		
<ul style="list-style-type: none"> • during operating • during storage 	°C	-25 ... +70
	°C	-40 ... +80
Protection class IP		IP66
climatic class / during the operating phase / according to EN 60721		3K6
Type of mounting		front mounting
Shape / of the installation hole		round
Installation width	mm	40
Mounting diameter	mm	22
Mounting height	mm	23.5
Mounting depth	mm	29

Certificates/approvals:

General Product Approval



CSA



GOST



UL

Test Certificates

[Special Test Certificate](#)

Shipping Approval



ABS



BUREAU
VERITAS



DNV



LRS



PRS



RINA

other

[Confirmation](#)

[other](#)

[Environmental Confirmations](#)

Further information:

Information- and Downloadcenter (Catalogs, Brochures,...)

<http://www.siemens.com/industrial-controls/catalogs>

Industry Mall (Online ordering system)

<http://www.siemens.com/industrial-controls/mall>

Cax online generator:

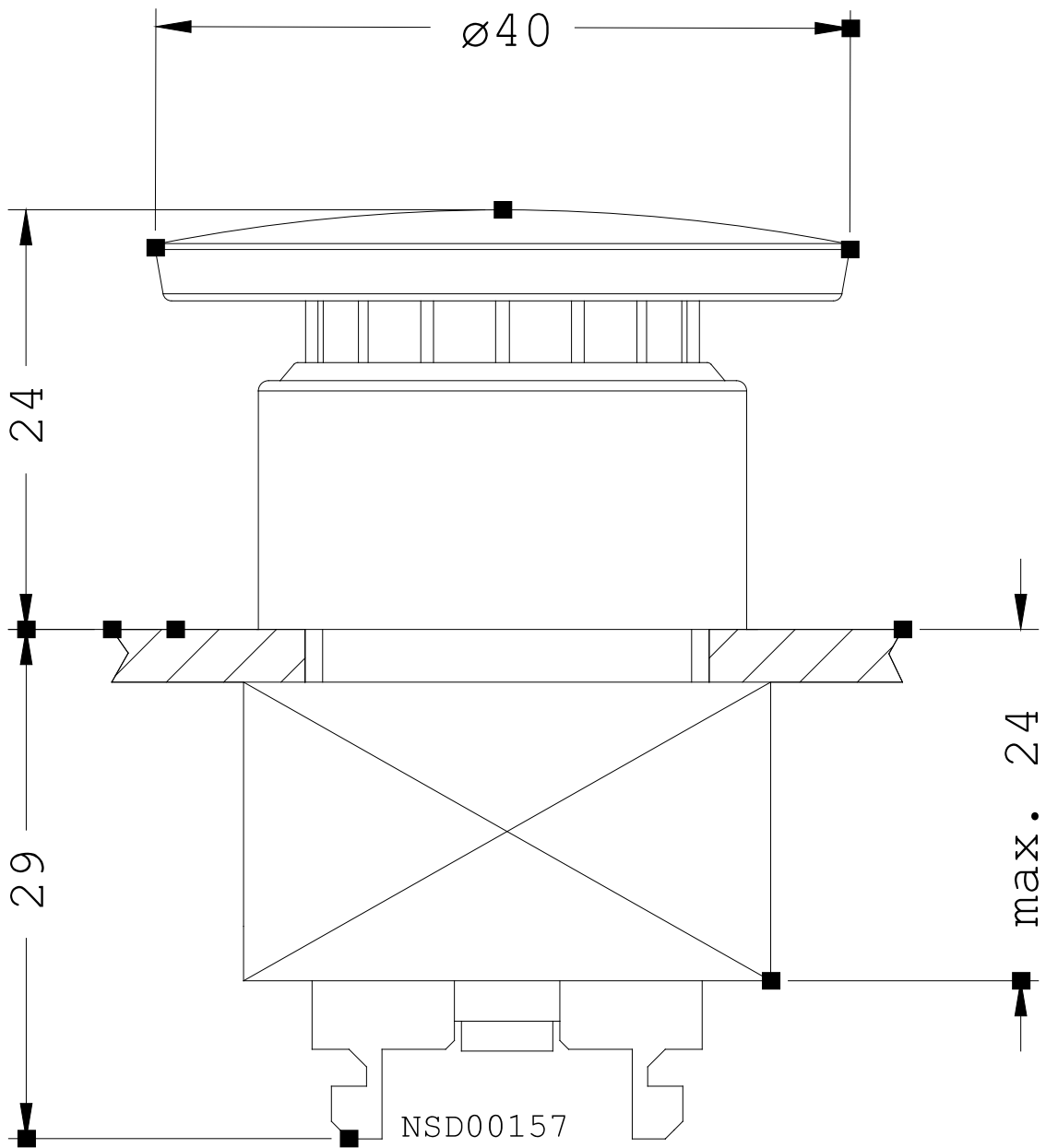
<http://www.siemens.com/cax>

Service&Support (Manuals, Certificates, Characteristics, FAQs,...)

<http://support.automation.siemens.com/WW/view/en/3SB3000-1CA11/all>

Image database (product images, 2D dimension drawings, 3D models, device circuit diagrams, ...)

http://www.automation.siemens.com/bilddb/cax_en.aspx?mlfb=3SB3000-1CA11



last change:

Jun 26, 2012