

22MM PLASTIC ROUND ACTUATOR: PUSH-PULL  
BUTTON 40MM LATCHING W.PULL-TO-UNLOCK MECH.  
WITH HOLDER RED

Actuato/ signaling device:	
Design of the operating mechanism	Mushroom-shaped push-pull switch
Type of unlocking device	pull-to-unlatch mechanism
Material / of the activation element	plastic
Number of switching positions	2
Product component / front ring	Yes
Material / of the front ring	plastic
Color / of the front ring	black
Design of the front ring	Standard
Product function / EMERGENCY STOP function	No

Holder:	
Material / of the holder	Plastic

General technical details:	
Resistance against shock • for devices without incandescent lamp / according to IEC 60068-2-27	<= 50g
Resistance against vibration / according to IEC 60068-2-6	20 ... 200 Hz: 5g
Operating cycles / maximum	1/h 1,000
Mechanical operating cycles as operating time / typical	300,000

<b>Item designation</b>		
<ul style="list-style-type: none"> <li>• according to DIN EN 61346-2</li> <li>• according to DIN 40719 extendable after IEC 204-2 / according to IEC 750</li> </ul>		S S
<b>Tightening torque / of the screws in the bracket / maximum</b>	N-m	1
<b>Ambient temperature</b>		
<ul style="list-style-type: none"> <li>• during operating</li> <li>• during storage</li> </ul>	°C °C	-25 ... +70 -40 ... +80
<b>Protection class IP</b>		IP66
<b>climatic class / during the operating phase / according to EN 60721</b>		3K6
<b>Type of mounting</b>		front mounting
<b>Shape / of the installation hole</b>		round
<b>Installation width</b>	mm	40
<b>Mounting diameter</b>	mm	22
<b>Mounting height</b>	mm	23.5
<b>Mounting depth</b>	mm	29

#### Certificates/ approvals:

##### General Product Approval



CSA



GOST



UL

##### Test Certificates

[Special Test Certificate](#)

##### Shipping Approval



ABS



DNV



LRS



PRS



RINA

##### other

[Confirmation](#)

[other](#)

[Environmental Confirmations](#)

#### Further information:

##### Information- and Downloadcenter (Catalogs, Brochures,...)

<http://www.siemens.com/industrial-controls/catalogs>

##### Industry Mall (Online ordering system)

<http://www.siemens.com/industrial-controls/mall>

##### Cax online generator

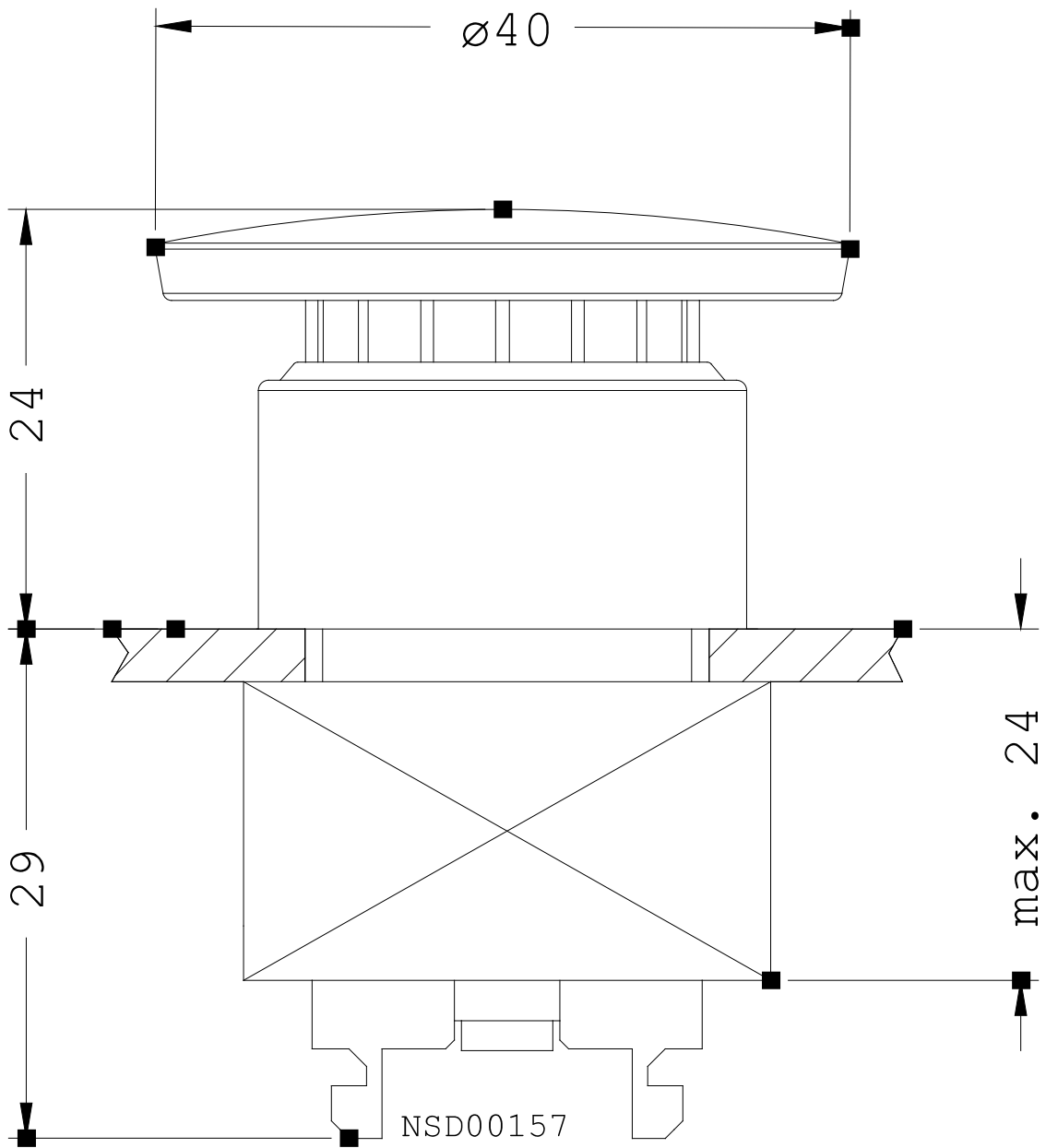
<http://www.siemens.com/cax>

##### Service&Support (Manuals, Certificates, Characteristics, FAQs,...)

<http://support.automation.siemens.com/WW/view/en/3SB3000-1CA21/all>

##### Image database (product images, 2D dimension drawings, 3D models, device circuit diagrams, ...)

[http://www.automation.siemens.com/bilddb/cax\\_en.aspx?mlfb=3SB3000-1CA21](http://www.automation.siemens.com/bilddb/cax_en.aspx?mlfb=3SB3000-1CA21)



last change:

Jan 21, 2013