



22MM PLASTIC ROUND ACTUATOR:  
MUSHR.PUSHBUTTON 40MM MOMENTARY CONTACT  
TYPE WITH HOLDER BLACK

Actuator:		
Design of the operating mechanism		mushromm pushbutton, Ø 40 mm
Shape / of the activation element		round
Manner of function / of the activation element		
<ul style="list-style-type: none"> <li>• arresting lock</li> <li>• tentative</li> </ul>		No Yes
External diameter / of the activation element	mm	40
Material / of the activation element		plastic

Button:		
Design of the button		flat
Color / of the button		black

Front ring:		
Product component / front ring		Yes
Material / of the front ring		plastic
Color / of the front ring		black

Auxiliary circuit:		
Number of NC contacts / for auxiliary contacts		0
Number of NO contacts / for auxiliary contacts		0

Number of change-over switches / for auxiliary contacts		0
---	--	---

General technical details:		
Design of the product		Ø 40 mm, momentary contact
Number of control points		1
Number of indicator lights / installable		0
Number of switching positions		2
Type of unlocking device		without
Product extension / optional / fluorescent materials		No
Product function / emergency stop function		No
Resistance against shock		<= 50g
<ul style="list-style-type: none"> <li>• for devices without incandescent lamp / according to IEC 60068-2-27</li> </ul>		
Resistance against vibration / according to IEC 60068-2-6		20 ... 200 Hz: 5g
Operating cycles / maximum	1/h	1,000
Mechanical operating cycles as operating time / typical		10,000,000
Item designation		S
<ul style="list-style-type: none"> <li>• according to DIN EN 61346-2</li> <li>• according to DIN 40719 extendable after IEC 204-2 / according to IEC 750</li> </ul>		S

Installation/mounting/dimensions:		
Type of mounting		front mounting
material / of the housing		plastic
Shape / of the installation hole		round
Installation width	mm	22
Mounting diameter	mm	22
Height	mm	40
Width	mm	40
Depth	mm	53.5
Tightening torque / of the screws in the bracket / maximum	N·m	1

Ambient conditions:		
Ambient temperature		
<ul style="list-style-type: none"> <li>• during storage</li> </ul>	°C	-40 ... 80
<ul style="list-style-type: none"> <li>• during operating phase</li> </ul>	°C	-25 ... 70
Protection class IP		IP66
Climatic class / according to DIN EN ISO 6270-2		KTW24

Certificates/approvals:		
-------------------------	--	--

## General Product Approval



[ROSTEST](#)



## Test Certificates

[Manufacturer](#)

## Shipping Approval

[ABS](#)



[PRS](#)



## other

[Manufacturer](#)

## Further information:

### Information- and Downloadcenter (Catalogs, Brochures,...)

<http://www.siemens.com/industrial-controls/catalogs>

### Industry Mall (Online ordering system)

<http://www.siemens.com/industrial-controls/mall>

### CAX-Online-Generator

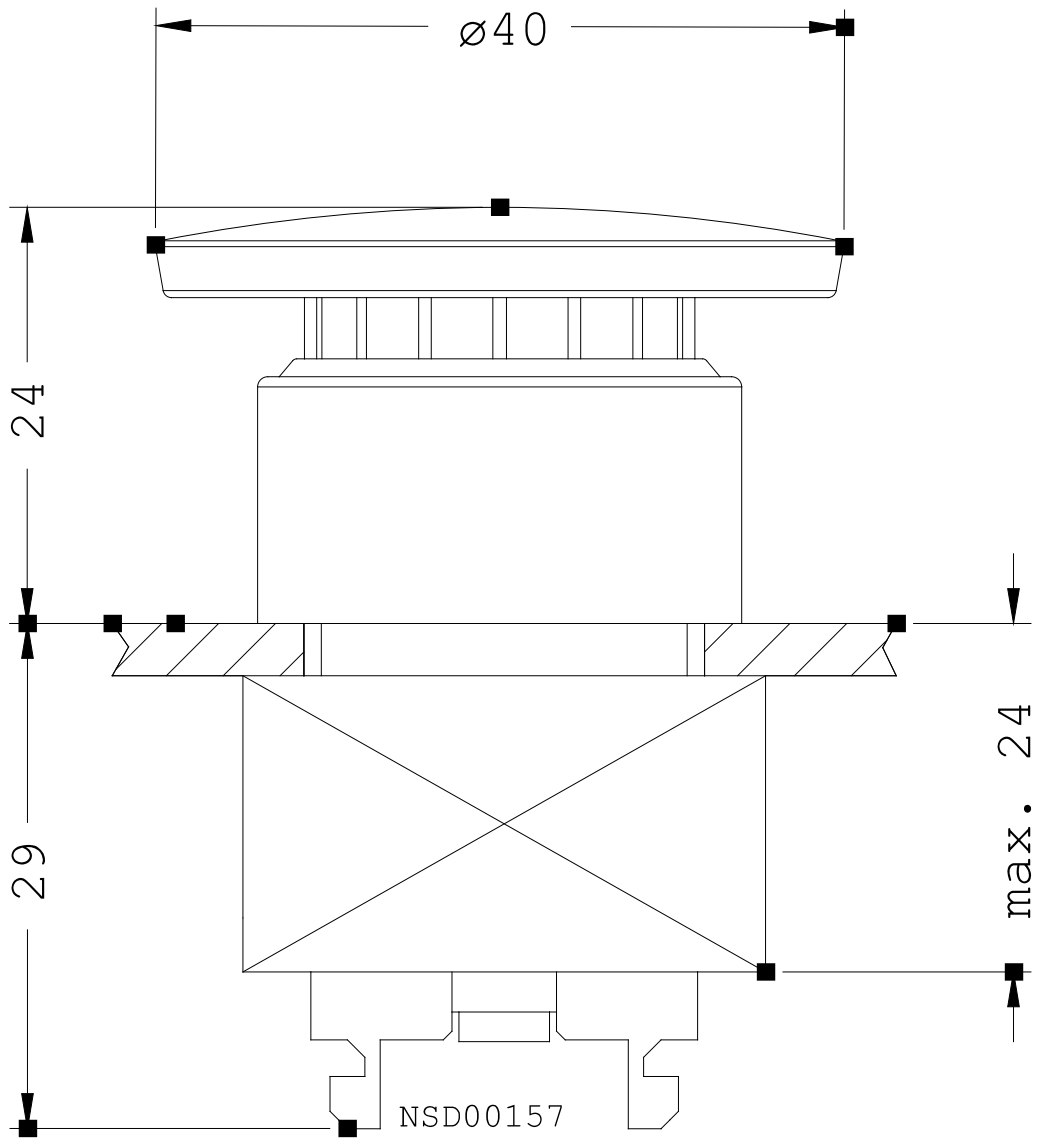
<http://www.siemens.com/cax>

### Service&Support (Manuals, Certificates, Characteristics, FAQs,...)

<http://support.automation.siemens.com/WW/view/en/3SB3000-1GA11/all>

### Image database (product images, 2D dimension drawings, 3D models, device circuit diagrams, ...)

[http://www.automation.siemens.com/bilddb/cax\\_en.aspx?mlfb=3SB3000-1GA11](http://www.automation.siemens.com/bilddb/cax_en.aspx?mlfb=3SB3000-1GA11)



last change:

Jun 20, 2011