



22MM PLASTIC ROUND ACTUATOR: EMERGEN.-STOP MUSHR.PUSHB. 40MM LATCHING W.PULL-TO-UNLOCK MECH. WITH HOLDER RED

Actuator:

Design of the product		Single device round with positive latching in accordance with ISO 13850
Design of the operating mechanism		Emergency stop mushroom pushbutton
Manner of function / of the actuating element		Latching
Type of unlocking device		pull-to-unlatch mechanism
Color / of the actuating element		Red
Material / of the actuating element		plastic
Number of switching positions		2
Product component / front ring		No
Product function / EMERGENCY STOP function		Yes

Holder:

Material / of the holder		Plastic
---------------------------------	--	---------

General technical data:

Shock resistance		
<ul style="list-style-type: none"> • for devices without incandescent lamp / acc. to IEC 60068-2-27 		<= 50g
Vibration resistance / acc. to IEC 60068-2-6		20 ... 200 Hz: 5g
Operating frequency / maximum	1/h	1,000
Mechanical service life (switching cycles) / typical		300,000

Reference code		
• acc. to DIN EN 61346-2		S
• acc. to DIN 40719 extended according to IEC 204-2 / acc. to IEC 750		S
Tightening torque / of the screws in the bracket / maximum	N-m	1
Ambient temperature		
• during operation	°C	-25 ... +70
• during storage	°C	-40 ... +80
Protection class IP		IP66
B10 value / with high demand rate / acc. to SN 31920		30,000
Proportion of dangerous failures / with high demand rate / acc. to SN 31920	%	20
Proportion of dangerous failures / with low demand rate / acc. to SN 31920	%	20
Failure rate [FIT] / with low demand rate / acc. to SN 31920	FIT	100
T1 value / for proof test interval or service life / acc. to IEC 61508	a	20
Climate class / during operation / acc. to EN 60721		3K6
Mounting type		front mounting
Shape / of the installation opening		round
Installation width	mm	40.5
Mounting diameter	mm	22
Mounting height	mm	49
Installation depth	mm	29

Certificates/ approvals:

General Product Approval



[Special Test Certificate](#)

EG-Konf.

Shipping Approval



other

[Confirmation](#)

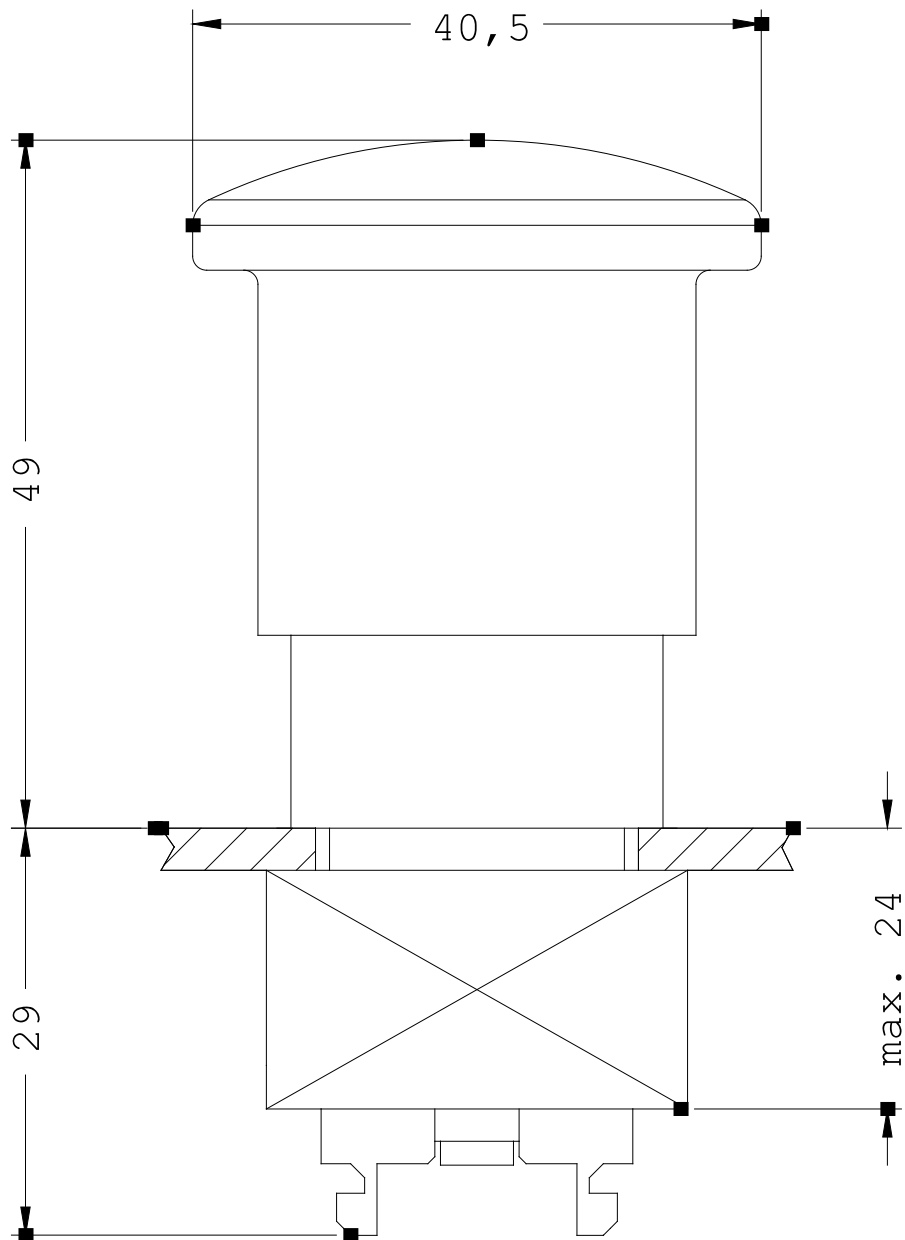
[other](#)

[Environmental Confirmations](#)

Further information:

Information- and Downloadcenter (Catalogs, Brochures,...)

<http://www.siemens.com/industrial-controls/catalogs>



last change:

Jun 16, 2014