

22MM PLASTIC ROUND ACTUATOR: SELECTOR SWITCH
 3 SWITCH POSITIONS I-O-II MOMENTARY CONTACT
 TYPE NON-ILLUMINATED WITH HOLDER BLACK



Actuator:		
Design of the product		Single device round
Design of the operating mechanism		selector switch
Functionality / of the actuator		Momentary contact type
Type of unlocking device		without
Color / of the activation element		black
Material / of the activation element		plastic
Number of switching positions		3
Actuating angle		
• clockwise	°	50
• anticlockwise	°	50
Product component / front ring		Yes
Material / of the front ring		plastic
Color / of the front ring		black
Design of the front ring		Standard
Product function / EMERGENCY STOP function		No

Holder:		
Material / of the holder		Plastic

General technical data:

Resistance against shock • for devices without incandescent lamp / according to IEC 60068-2-27		<= 50g
Resistance against vibration / according to IEC 60068-2-6		20 ... 200 Hz: 5g
Operating cycles / maximum	1/h	1,000
Mechanical operating cycles as operating time / typical		300,000
Reference code • according to DIN EN 61346-2 • according to DIN 40719 extended according to IEC 204-2 / according to IEC 750		S S
Tightening torque / of the screws in the bracket / maximum	N·m	1
Ambient temperature • during operating • during storage	°C °C	-25 ... +70 -40 ... +80
Protection class IP		IP66
climatic class / during the operating phase / according to EN 60721		3K6
Mounting type		front mounting
Shape / of the installation hole		round
Installation width	mm	28.5
Mounting diameter	mm	22
Mounting height	mm	24
Mounting depth	mm	29

Certificates/ approvals:

General Product Approval



[Special Test Certificate](#)

Shipping Approval



other

[Confirmation](#)

[other](#)

[Environmental Confirmations](#)

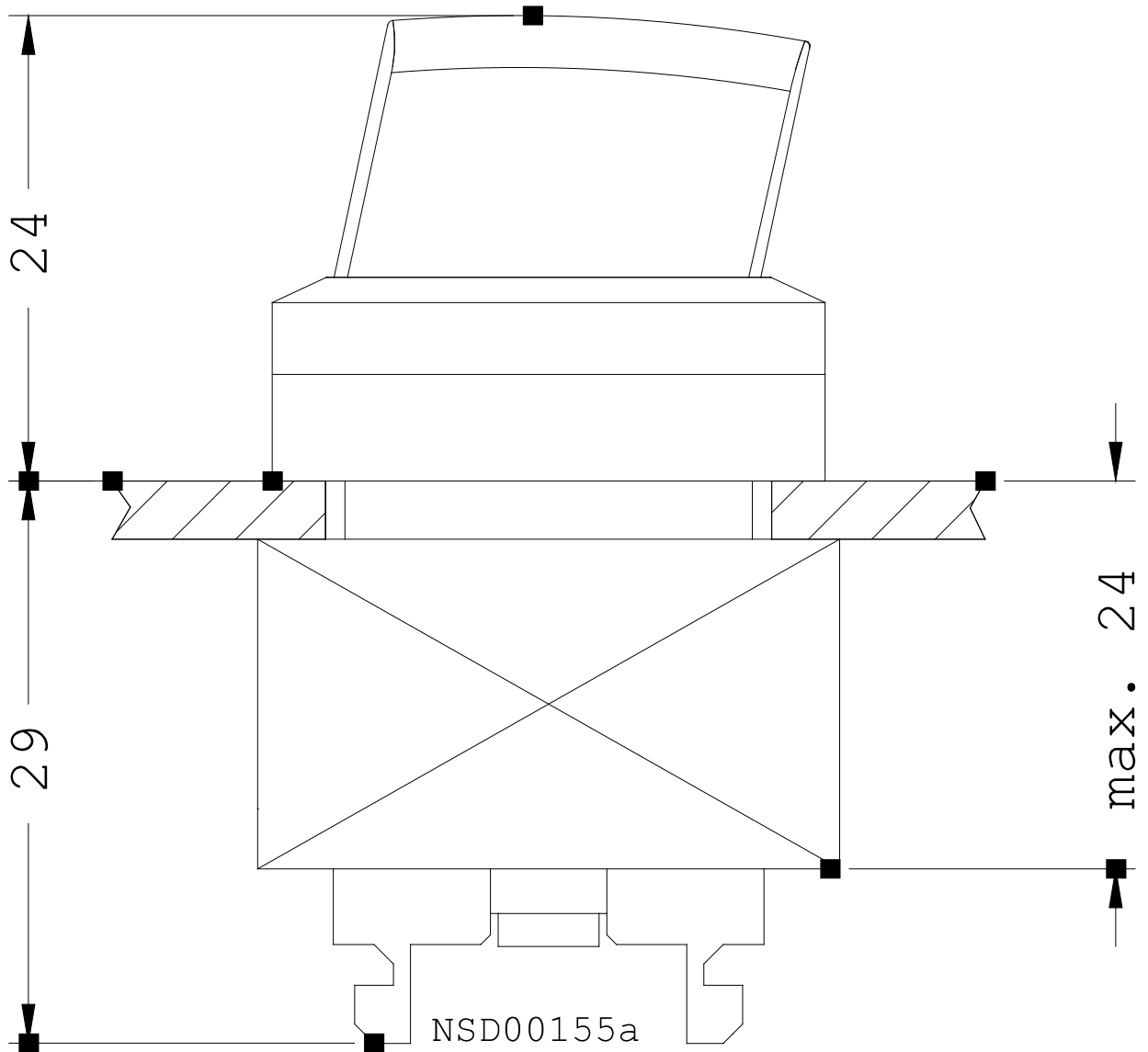
Further information:

Information- and Downloadcenter (Catalogs, Brochures,...)

<http://www.siemens.com/industrial-controls/catalogs>

Industry Mall (Online ordering system)

<http://www.siemens.com/industrial-controls/mall>



last change:

Apr 21, 2014