

22MM PLASTIC ROUND ACTUATOR: RONIS LOCK WITH
2 KEYS 3 SWITCH POSITIONS I-O-II MAINTAINED
CONTACT LOCK NUMBER SB 30,REMOVE I+O+II WITH
HOLDER POSSIBLE SPECIAL LOCKS FOR RONIS
KEYSWITCHES: SB31,
455, 421

Actuator:		
Design of the product		Single device round
Design of the operating mechanism		Key-operated switch
Manner of function / of the actuating element		Latching
Type of unlocking device		key unlatching
Color / of the actuating element		Silver
Material / of the actuating element		metal
Lock make		RONIS
Number of switching positions		3
Switch position for key distraction		I+O+II
Actuating angle		
• clockwise	°	50
• anticlockwise	°	50
Product component / front ring		Yes
Material / of the front ring		plastic
Color / of the front ring		black
Design of the front ring		Standard
Product function / EMERGENCY STOP function		No

Holder:		
Material / of the holder		Plastic

General technical data:		
Shock resistance		
• for devices without incandescent lamp / acc. to IEC 60068-2-27		<= 50g
Vibration resistance / acc. to IEC 60068-2-6		20 ... 200 Hz: 5g
Operating frequency / maximum	1/h	1,000
Mechanical service life (switching cycles) / typical		300,000
Reference code		
• acc. to DIN EN 61346-2		S

• acc. to DIN 40719 extended according to IEC 204-2 / acc. to IEC 750		S
Tightening torque / of the screws in the bracket / maximum	N-m	1
Ambient temperature		
• during operation	°C	-25 ... +70
• during storage	°C	-40 ... +80
Protection class IP		IP66
Climate class / during operation / acc. to EN 60721		3K6
Mounting type		front mounting
Shape / of the installation opening		round
Installation width	mm	28.5
Mounting diameter	mm	22
Mounting height	mm	44
Installation depth	mm	29

Certificates/ approvals:

General Product Approval



[Special Test Certificate](#)

Shipping Approval



other

[Confirmation](#)

[other](#)

[Environmental Confirmations](#)

Further information:

Information- and Downloadcenter (Catalogs, Brochures,...)

<http://www.siemens.com/industrial-controls/catalogs>

Industry Mall (Online ordering system)

<http://www.siemens.com/industrial-controls/mall>

Cax online generator

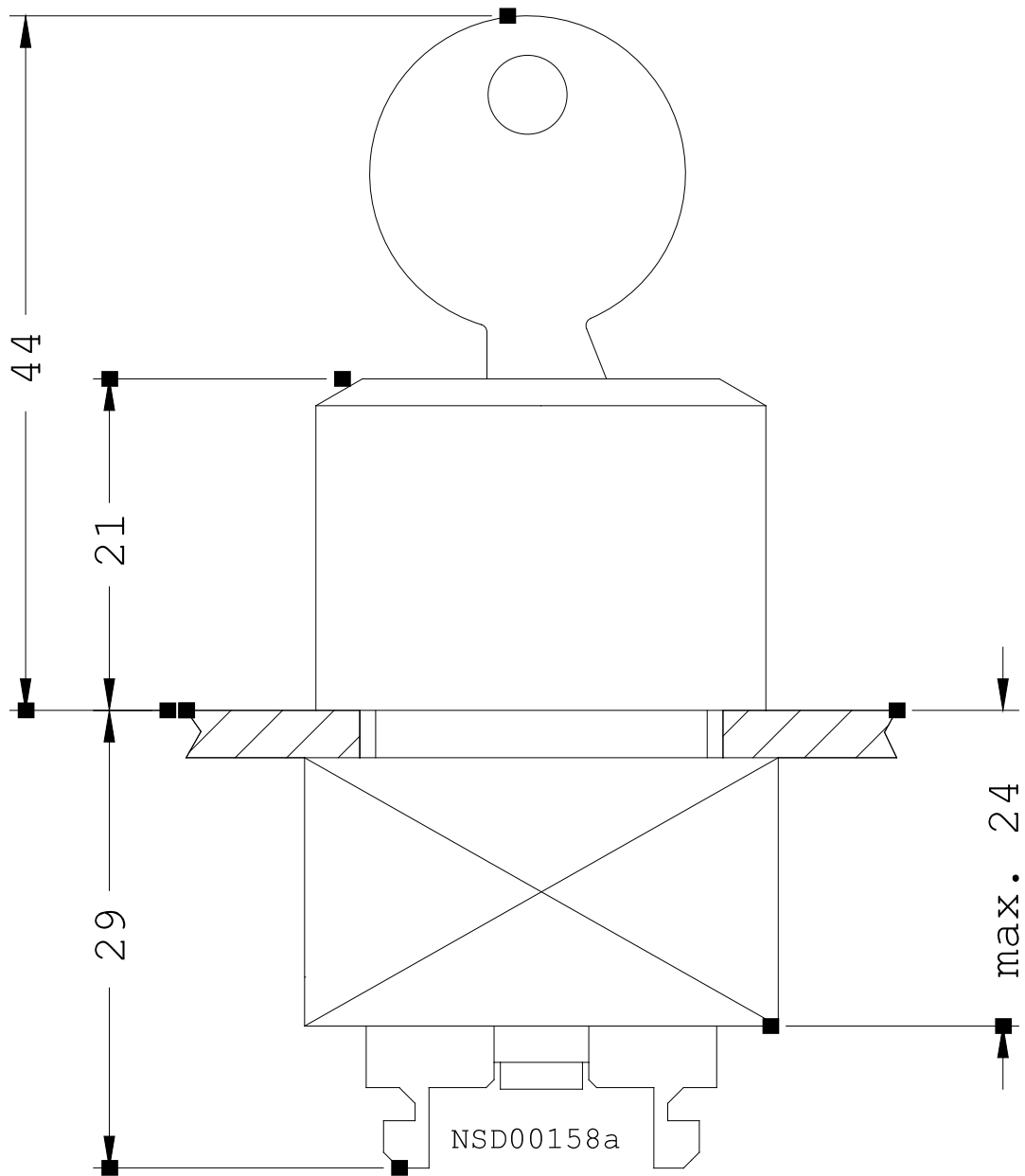
<http://www.siemens.com/cax>

Service&Support (Manuals, Certificates, Characteristics, FAQs,...)

<http://support.automation.siemens.com/WW/view/en/3SB3000-4DD11/all>

Image database (product images, 2D dimension drawings, 3D models, device circuit diagrams, ...)

http://www.automation.siemens.com/bilddb/cax_en.aspx?mlfb=3SB3000-4DD11



last change:

Jun 16, 2014