

22MM PLASTIC ROUND ACTUATOR: RONIS LOCK WITH 2 KEYS 3 SWITCH POSITIONS I-O-II ON THE LEFT MAINTAINED CONTACT, ON THE RIGHT MOMENTARY CONTACT LOCK NUMBER SB 30, REMOVE O+I WITH HOLDER POSSIBLE SPECIAL LOCKS FOR RONIS KEYSWITCHES: SB31, 455, 421

Actuator:		
Design of the product		Single device round
Design of the operating mechanism		Key-operated switch
Manner of function / of the actuating element		Latching (left), momentary contact (right)
Type of unlocking device		key unlatching
Color / of the actuating element		Silver
Material / of the actuating element		metal
Lock make		RONIS
Number of switching positions		3
Switch position for key distraction		O+I
Actuating angle		
• clockwise	◦	50
• anticlockwise	◦	50
Product component / front ring		Yes
Material / of the front ring		plastic
Color / of the front ring		black
Design of the front ring		Standard
Product function / EMERGENCY STOP function		No

Holder:		
Material / of the holder		Plastic

General technical data:		
Shock resistance		
• for devices without incandescent lamp / acc. to IEC 60068-2-27		<= 50g
Vibration resistance / acc. to IEC 60068-2-6		20 ... 200 Hz: 5g
Operating frequency / maximum	1/h	1,000
Mechanical service life (switching cycles) / typical		300,000
Reference code		

• acc. to DIN EN 61346-2		S
• acc. to DIN 40719 extended according to IEC 204-2 / acc. to IEC 750		S
<b>Tightening torque / of the screws in the bracket / maximum</b>	N·m	1
<b>Ambient temperature</b>		
• during operation	°C	-25 ... +70
• during storage	°C	-40 ... +80
<b>Protection class IP</b>		IP66
<b>Climate class / during operation / acc. to EN 60721</b>		3K6
<b>Mounting type</b>		front mounting
<b>Shape / of the installation opening</b>		round
<b>Installation width</b>	mm	28.5
<b>Mounting diameter</b>	mm	22
<b>Mounting height</b>	mm	44
<b>Installation depth</b>	mm	29

#### Certificates/ approvals:

General Product Approval

Declaration of Conformity

Test Certificates



[Special Test Certificate](#)

CSA

UL

EG-Konf.

#### Shipping Approval



ABS

DNV

LRS

PRS

RINA

#### other

[Confirmation](#)

[other](#)

[Environmental Confirmations](#)

#### Further information:

**Information- and Downloadcenter (Catalogs, Brochures,...)**

<http://www.siemens.com/industrial-controls/catalogs>

**Industry Mall (Online ordering system)**

<http://www.siemens.com/industrial-controls/mall>

**Cax online generator**

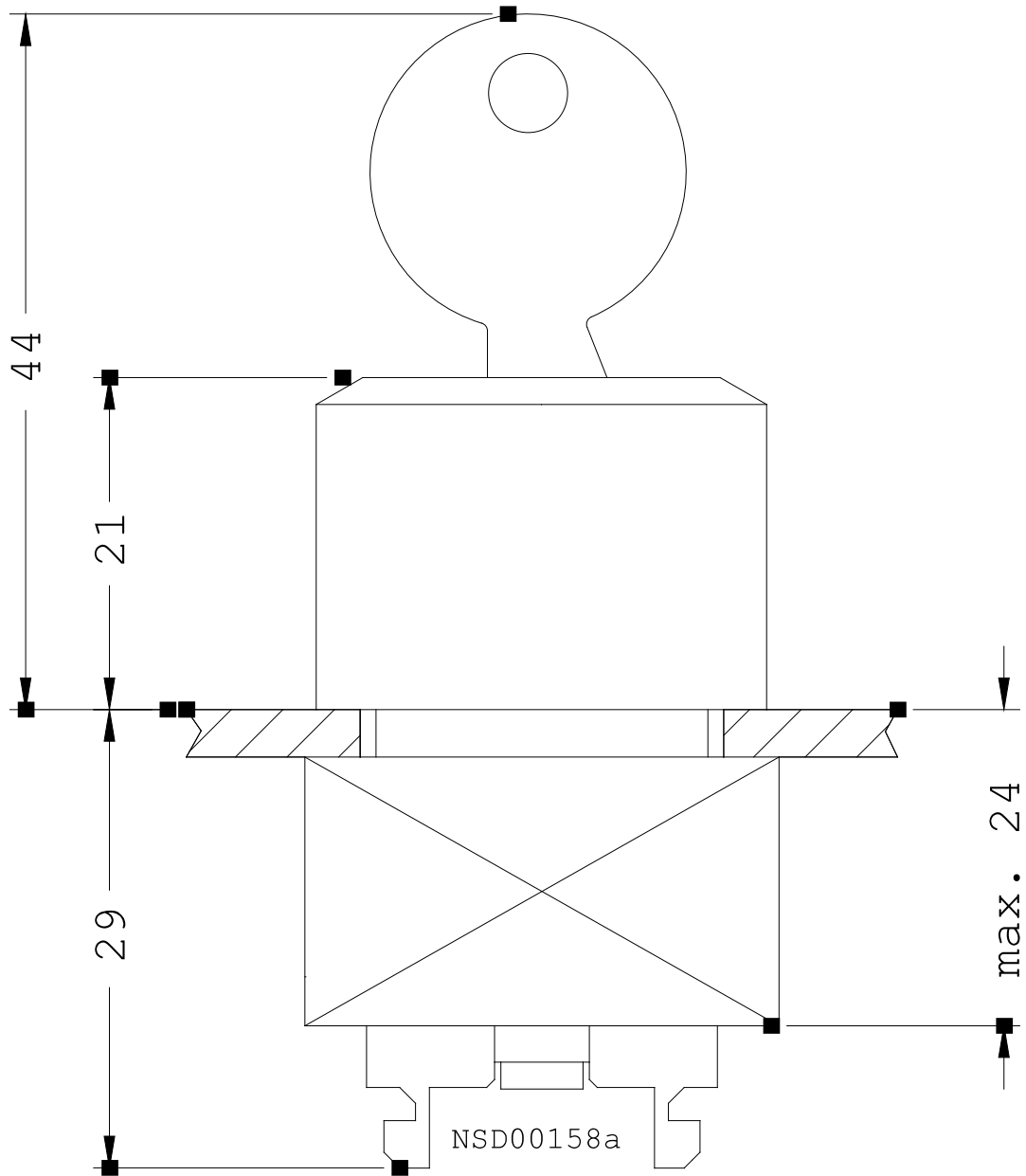
<http://www.siemens.com/cax>

**Service&Support (Manuals, Certificates, Characteristics, FAQs,...)**

<http://support.automation.siemens.com/WW/view/en/3SB3000-4FD51/all>

**Image database (product images, 2D dimension drawings, 3D models, device circuit diagrams, ...)**

[http://www.automation.siemens.com/bilddb/cax\\_en.aspx?mlfb=3SB3000-4FD51](http://www.automation.siemens.com/bilddb/cax_en.aspx?mlfb=3SB3000-4FD51)



last change:

Jun 16, 2014