



22MM PLASTIC ROUND ACTUATOR: SELECTOR SWITCH
MOMENTARY CONTACT TYPE 3 SWITCH POSITIONS I-O
-II ILLUMINATED INCL. HOLDER FOR 3 ELEMENTS WITH
HOLDER CLEAR

Actuator:

Design of the operating mechanism		selector switch
External diameter / of the activation element	mm	28.5
Material / of the activation element		plastic

Front ring:

Product component / front ring		Yes
Material / of the front ring		plastic
Color / of the front ring		black

General technical details:

Number of control points		1
Number of indicator lights / installable		1
Number of switching positions		3
Type of unlocking device		without
Product extension / optional / fluorescent materials		Yes
Product function / emergency stop function		No
Resistance against shock		<= 50g
<ul style="list-style-type: none"> • for devices without incandescent lamp / according to IEC 60068-2-27 		

Resistance against vibration / according to IEC 60068-2-6		20 ... 200 Hz: 5g
Operating cycles / maximum	1/h	1,000
Mechanical operating cycles as operating time / typical		300,000
Item designation		
<ul style="list-style-type: none"> according to DIN EN 61346-2 according to DIN 40719 extendable after IEC 204-2 / according to IEC 750 		S S

Installation/mounting/dimensions:

Type of mounting		front mounting
Shape / of the installation hole		round
Installation width	mm	28.5
Mounting diameter	mm	22
Mounting height	mm	24
Tightening torque / of the screws in the bracket / maximum	N-m	1

Ambient conditions:

Ambient temperature		
<ul style="list-style-type: none"> during storage during operating 	°C	-40 ... +80 -25 ... +70
Protection class IP		IP66

Certificates/approvals:

General Product Approval



[ROSTEST](#)



Test Certificates

[Manufacturer](#)

Shipping Approval



other

[Manufacturer](#)

Further information:

Information- and Downloadcenter (Catalogs, Brochures,...)

<http://www.siemens.com/industrial-controls/catalogs>

Industry Mall (Online ordering system)

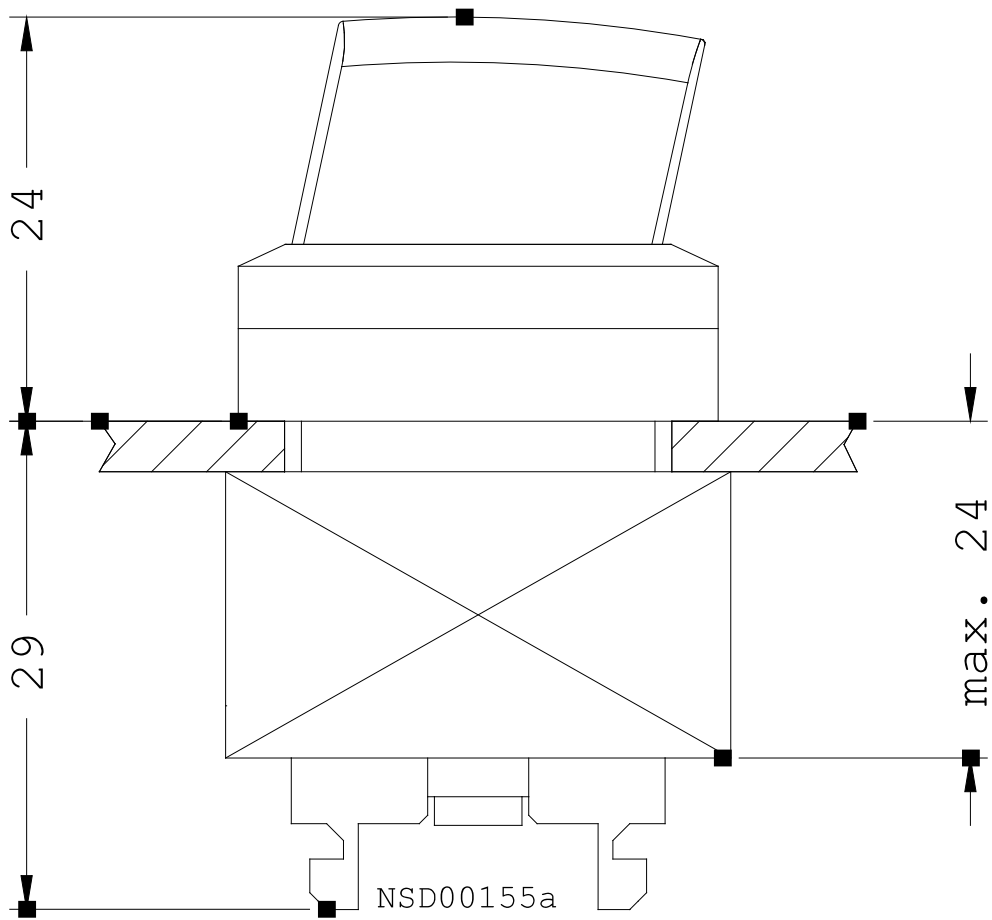
<http://www.siemens.com/industrial-controls/mall>

CAX-Online-Generator

<http://www.siemens.com/cax>

Service&Support (Manuals, Certificates, Characteristics, FAQs,...)

<http://support.automation.siemens.com/WW/view/en/3SB3001-2EA71/all>



last change:

Feb 7, 2012