



22MM PLASTIC ROUND COMPLETE UNIT
 COMBINATION: ACOUSTIC SIGNALING DEVICE
 CONTINUOUS TONE 2.4KHZ,
 IP65 SOUND PRESS. MIN. 80 DB./10CM,
 WITH LAMP HOLDER BA 9S 24V AC/DC SCREW
 TERMINAL WITH HOLDER BLACK

Actuator:		
Design of the product		Complete unit round
Design of the operating mechanism		Acoustic signaling device
Type of acoustic signal		continuous tone
Color / of the actuating element		black
Material / of the actuating element		plastic
Number of switching positions		0
Product component / front ring		No
Product function / EMERGENCY STOP function		No

Holder:		
Material / of the holder		Plastic

Contact block/ lampholder:		
Design of the electrical connection		screw-type terminals
Number of switching elements		0
Number of NC contacts / for auxiliary contacts		0
Number of NO contacts / for auxiliary contacts		0
Number of CO contacts / for auxiliary contacts		0
Product function / positive opening		No
Number of lampholders		0

Product component / Light source		No
Product expansion / optional / Light source		Yes

Accessories:

Product component / holder for 3 switching elements		No
---	--	----

General technical data:

Type of voltage / of the supply voltage / of the acoustic signal element		AC/DC
Supply voltage / 1 / of the acoustic signal element		
• with AC / at 60 Hz / Rated value	V	24
• with AC / at 50 Hz / Rated value	V	24
• for DC / Rated value	V	24
Type of voltage / of the operating voltage		AC/DC
Operating voltage / Rated value		
• minimum	V	5
• maximum	V	400
Shock resistance		
• for devices without incandescent lamp / acc. to IEC 60068-2-27		<= 50g
Vibration resistance / acc. to IEC 60068-2-6		20 ... 200 Hz: 5g
Reference code		
• acc. to DIN EN 61346-2		P
• acc. to DIN 40719 extended according to IEC 204-2 / acc. to IEC 750		H
Tightening torque / of the screws in the bracket / maximum	N·m	1
Ambient temperature		
• during operation	°C	-25 ... +70
• during storage	°C	-40 ... +80
Protection class IP		IP65
Climate class / during operation / acc. to EN 60721		3K6
Mounting type		front mounting
Shape / of the installation opening		round
Installation width	mm	28
Mounting diameter	mm	22
Mounting height	mm	10
Installation depth	mm	49

Certificates/ approvals:

General Product Approval**Declaration of Conformity**

[Special Test Certificate](#)

Shipping Approval**other**

[Confirmation](#)

[other](#)

[Environmental Confirmations](#)

Further information:**Information- and Downloadcenter (Catalogs, Brochures,...)**

<http://www.siemens.com/industrial-controls/catalogs>

Industry Mall (Online ordering system)

<http://www.siemens.com/industrial-controls/mall>

Cax online generator

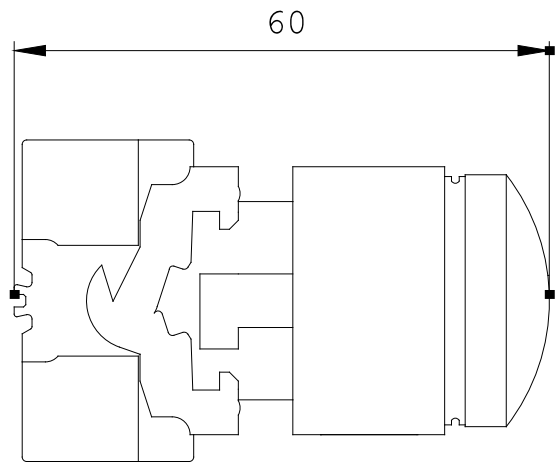
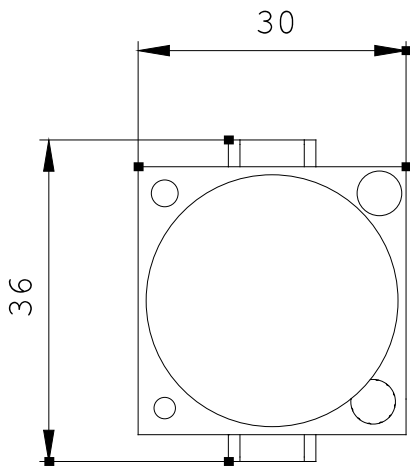
<http://www.siemens.com/cax>

Service&Support (Manuals, Certificates, Characteristics, FAQs,...)

<http://support.automation.siemens.com/WWW/view/en/3SB3233-7BA10/all>

Image database (product images, 2D dimension drawings, 3D models, device circuit diagrams, ...)

http://www.automation.siemens.com/bilddb/cax_en.aspx?mlfb=3SB3233-7BA10



\pi42.5;
\pi27;3SB32

last change:

Nov 17, 2014