



22MM PLASTIC ROUND COMPLETE UNIT  
 COMBINATION: ACOUSTIC SIGNALING DEVICE  
 CONTINUOUS TONE 2.4KHZ,  
 IP65 SOUND PRESS. MIN. 80 DB./10CM,  
 WITH LAMP HOLDER BA 9S 230V AC/DC SCREW  
 TERMINAL WITH HOLDER BLACK

Actuator:		
Design of the product		Complete unit round
Design of the operating mechanism		Acoustic signaling device
Type of acoustic signal		continuous tone
Color / of the actuating element		black
Material / of the actuating element		plastic
Number of switching positions		0
Product component / front ring		No
Product function / EMERGENCY STOP function		No

Holder:		
Material / of the holder		Plastic

Contact block/ lampholder:		
Design of the electrical connection		screw-type terminals
Number of switching elements		0
Number of NC contacts / for auxiliary contacts		0
Number of NO contacts / for auxiliary contacts		0
Number of CO contacts / for auxiliary contacts		0
Product function / positive opening		No
Number of lampholders		0

<b>Product component / Light source</b>		No
<b>Product expansion / optional / Light source</b>		Yes

#### Accessories:

<b>Product component / holder for 3 switching elements</b>		No
--	--	----

#### General technical data:

<b>Type of voltage / of the supply voltage / of the acoustic signal element</b>		AC/DC
<b>Supply voltage / 1 / of the acoustic signal element</b>		
• with AC / at 60 Hz / Rated value	V	230
• with AC / at 50 Hz / Rated value	V	230
• for DC / Rated value	V	230
<b>Type of voltage / of the operating voltage</b>		AC/DC
<b>Operating voltage / Rated value</b>		
• minimum	V	5
• maximum	V	400
<b>Shock resistance</b>		
• for devices without incandescent lamp / acc. to IEC 60068-2-27		<= 50g
<b>Vibration resistance / acc. to IEC 60068-2-6</b>		20 ... 200 Hz: 5g
<b>Reference code</b>		
• acc. to DIN EN 61346-2		P
• acc. to DIN 40719 extended according to IEC 204-2 / acc. to IEC 750		H
<b>Tightening torque / of the screws in the bracket / maximum</b>	N·m	1
<b>Ambient temperature</b>		
• during operation	°C	-25 ... +70
• during storage	°C	-40 ... +80
<b>Protection class IP</b>		IP65
<b>Climate class / during operation / acc. to EN 60721</b>		3K6
<b>Mounting type</b>		front mounting
<b>Shape / of the installation opening</b>		round
<b>Installation width</b>	mm	28
<b>Mounting diameter</b>	mm	22
<b>Mounting height</b>	mm	10
<b>Installation depth</b>	mm	49

#### Certificates/ approvals:

**General Product Approval****Declaration of Conformity**

[Special Test Certificate](#)

**Shipping Approval****other**

[Confirmation](#)

[other](#)

[Environmental Confirmations](#)

**Further information:****Information- and Downloadcenter (Catalogs, Brochures,...)**

<http://www.siemens.com/industrial-controls/catalogs>

**Industry Mall (Online ordering system)**

<http://www.siemens.com/industrial-controls/mall>

**Cax online generator**

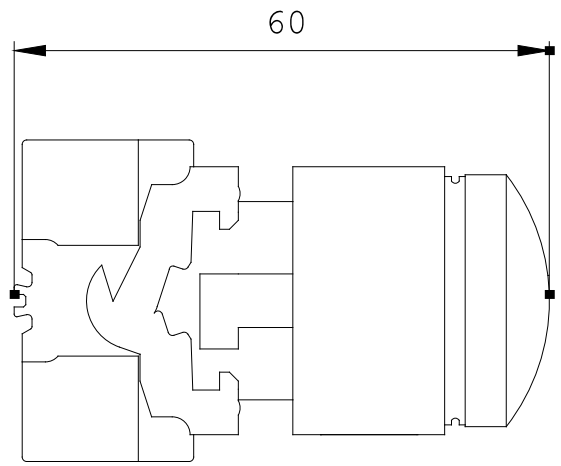
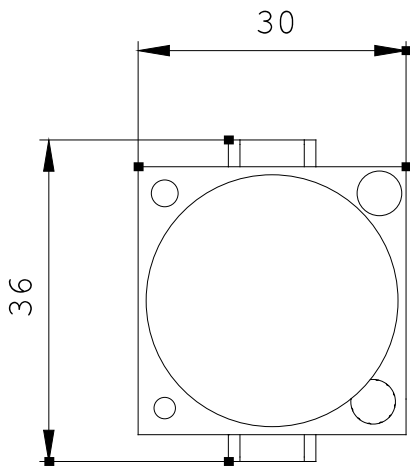
<http://www.siemens.com/cax>

**Service&Support (Manuals, Certificates, Characteristics, FAQs,...)**

<http://support.automation.siemens.com/WWW/view/en/3SB3235-7BA10/all>

**Image database (product images, 2D dimension drawings, 3D models, device circuit diagrams, ...)**

[http://www.automation.siemens.com/bilddb/cax\\_en.aspx?mlfb=3SB3235-7BA10](http://www.automation.siemens.com/bilddb/cax_en.aspx?mlfb=3SB3235-7BA10)



\pi42.5;  
\pi27;3SB32

**last change:**

Nov 17, 2014