

22MM PLASTIC ROUND COMPLETE UNIT COMBINATION:  
 INDICATOR LIGHT WITH SMOOTH LENSE ILLUMINATED WITH  
 INTEGRATED LED 24V AC/DC SCREW TERMINAL WITH HOLDER  
 RED !!! Phased-out product !!! SIRIUS ACT 3SU1 is successor  
 Preferred successor type is >>3SU1102-6AA20-1AA0<<



Figure similar

<b>Design of the product</b>	Complete unit round
<b>Enclosure</b>	
<b>Shape of the enclosure front</b>	round
<b>Material of the enclosure</b>	plastic
<b>Number of command points</b>	0
<b>Actuator</b>	
<b>Design of the operating mechanism</b>	indicator light
<b>Product extension optional Light source</b>	Yes
<b>Color</b>	
• of the actuating element	red
<b>Material of the actuating element</b>	plastic
<b>Shape of the actuating element</b>	Smooth lens
<b>Number of switching positions</b>	0
<b>Front ring</b>	
<b>Product component front ring</b>	No
<b>Holder</b>	

<b>Material of the holder</b>	Plastic
-------------------------------	---------

### Contact block/ lampholder

<b>socket type</b>	integrated LED
<b>Number of lampholders</b>	1
<b>Number of switching elements</b>	0

### General technical data

<b>Product function</b>	
<ul style="list-style-type: none"> <li>• positive opening</li> <li>• EMERGENCY STOP function</li> </ul>	No No
<b>Product component</b>	
<ul style="list-style-type: none"> <li>• Light source</li> </ul>	Yes
<b>Protection class IP</b>	IP66
<b>Vibration resistance</b>	
<ul style="list-style-type: none"> <li>• acc. to IEC 60068-2-6</li> </ul>	20 ... 200 Hz: 5g
<b>Reference code acc. to DIN 40719 extended according to IEC 204-2 acc. to IEC 750</b>	H
<b>Reference code acc. to DIN EN 81346-2</b>	P
<b>Reference code acc. to DIN EN 61346-2</b>	P

### Supply voltage

<b>Type of voltage of the supply voltage</b>	
<ul style="list-style-type: none"> <li>• of the light source</li> </ul>	AC/DC
<b>Supply voltage of the light source at AC</b>	
<ul style="list-style-type: none"> <li>• at 50 Hz rated value</li> <li>• at 60 Hz rated value</li> </ul>	24 V 24 V
<b>Supply voltage of the light source at DC</b>	
<ul style="list-style-type: none"> <li>• rated value</li> </ul>	24 V
<b>Relative negative tolerance of the supply voltage</b>	-15 %
<b>Relative positive tolerance of the supply voltage</b>	10 %

### Auxiliary circuit

<b>Number of NC contacts for auxiliary contacts</b>	0
<b>Number of NO contacts for auxiliary contacts</b>	0
<b>Number of CO contacts</b>	
<ul style="list-style-type: none"> <li>• for auxiliary contacts</li> </ul>	0
<b>Consumed current for rated value of supply voltage maximum</b>	18 mA

### Connections/ Terminals

<b>Type of electrical connection</b>	screw-type terminals
<b>Tightening torque of the screws in the bracket</b>	1 ... 1.2 N·m

### Ambient conditions

<b>Ambient temperature</b>	
<ul style="list-style-type: none"> <li>• during operation</li> </ul>	-25 ... +70 °C

- during storage

-40 ... +80 °C

Environmental category during operation acc. to IEC 60721

3K6

### Installation/ mounting/ dimensions

Mounting type	front mounting
Shape of the installation opening	round
Mounting diameter	22 mm
Mounting height	11 mm
Installation width	28 mm
Installation depth	49 mm

### Accessories

Product component holder for 3 switching elements No

### Certificates/ approvals

#### General Product Approval

#### Declaration of Conformity



CCC



CSA



UL



EG-Konf.

[Miscellaneous](#)

#### Marine / Shipping

#### other



ABS



LRS



PRS



RINA

[Environmental Con-  
firmations](#)

[Confirmation](#)

#### other

[Miscellaneous](#)

#### Railway

[Special Test Certi-  
ficate](#)

### Further information

**Information- and Downloadcenter (Catalogs, Brochures,...)**

[www.siemens.com/sirius/catalogs](http://www.siemens.com/sirius/catalogs)

**Industry Mall (Online ordering system)**

<https://mall.industry.siemens.com/mall/en/en/Catalog/product?mlfb=3SB3244-6AA20>

**Cax online generator**

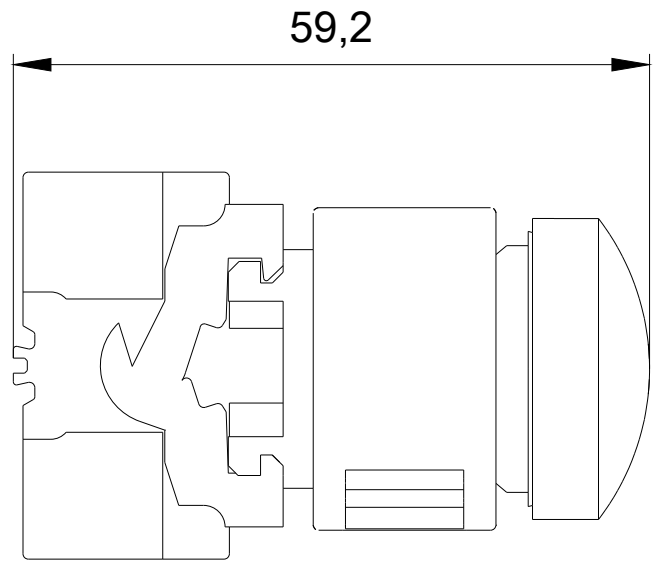
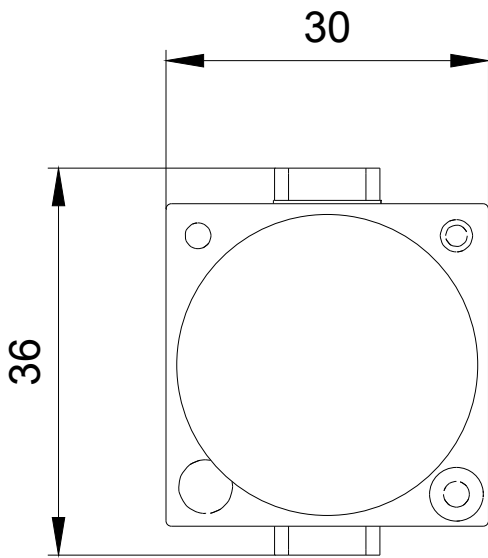
<http://support.automation.siemens.com/WW/CAXorder/default.aspx?lang=en&mlfb=3SB3244-6AA20>

**Service&Support (Manuals, Certificates, Characteristics, FAQs,...)**

<https://support.industry.siemens.com/cs/ww/en/ps/3SB3244-6AA20>

**Image database (product images, 2D dimension drawings, 3D models, device circuit diagrams, EPLAN macros, ...)**

[http://www.automation.siemens.com/bilddb/cax\\_de.aspx?mlfb=3SB3244-6AA20&lang=en](http://www.automation.siemens.com/bilddb/cax_de.aspx?mlfb=3SB3244-6AA20&lang=en)



last modified:

12/05/2019

W9.4444; 3SB  
W7.5833; 3SB