



ACTUATOR-/INDICATOR COMPONENT CONTACT BLOCK WITH 2 CONTACTS SCREW TERMINAL, 1NC, 1NC

Contact block/ lampholder:		
product designation		contact block
Number of NC contacts / for auxiliary contacts		2
Number of NO contacts / for auxiliary contacts		0
Number of changeover contacts / for auxiliary contacts		0
Product function / positive opening		Yes
Number of lampholders		0
Design of the electrical connection		screw-type terminals

General technical details:		
Degree of pollution		class 3
Design of the fuse link / for short-circuit protection of the auxiliary switch / with type of assignment 1 / required		gG / Dz 10 A
Contact reliability		one incorrect switching operation of 100 million switching operations (5 V, 1 mA)
Thermal current	A	10
Type of voltage / of the operating voltage		AC/DC
Item designation		S
<ul style="list-style-type: none"> <li>• according to DIN EN 61346-2</li> <li>• according to DIN 40719 extendable after IEC 204-2 / according to IEC 750</li> </ul>		S
Ambient temperature		

<ul style="list-style-type: none"> <li>during operating</li> </ul>	°C	-25 ... +70
<ul style="list-style-type: none"> <li>during storage</li> </ul>	°C	-25 ... +80
<b>protection class IP</b>		
<ul style="list-style-type: none"> <li>of the terminal</li> </ul>		IP20
<ul style="list-style-type: none"> <li>of the housing</li> </ul>		IP40
<b>Operating voltage / 1 / at 50 Hz / for AC / rated value</b>		
	V	400
<b>Operating voltage / 1 / at 60 Hz / for AC / rated value</b>		
	V	300
<b>Operating voltage</b>		
<ul style="list-style-type: none"> <li>1 / for DC / rated value</li> </ul>	V	24
<ul style="list-style-type: none"> <li>at 50 Hz / at AC / rated value</li> </ul>	V	5 ... 400
<ul style="list-style-type: none"> <li>at 60 Hz / at AC / rated value</li> </ul>	V	5 ... 300
<ul style="list-style-type: none"> <li>for DC <ul style="list-style-type: none"> <li>rated value</li> </ul> </li> </ul>	V	5 ... 230
<b>Operating current</b>		
<ul style="list-style-type: none"> <li>at AC-12 <ul style="list-style-type: none"> <li>at 24 V</li> <li>at 48 V</li> <li>at 110 V</li> <li>at 230 V</li> <li>at 400 V</li> </ul> </li> </ul>	A	10
<ul style="list-style-type: none"> <li>at AC-15 <ul style="list-style-type: none"> <li>at 24 V</li> <li>at 48 V</li> <li>at 110 V</li> <li>at 230 V</li> <li>at 400 V</li> </ul> </li> </ul>	A	6
<ul style="list-style-type: none"> <li>at DC-12 <ul style="list-style-type: none"> <li>at 24 V</li> <li>at 48 V</li> <li>at 110 V</li> <li>at 230 V</li> </ul> </li> </ul>	A	5
<ul style="list-style-type: none"> <li>at DC-13 <ul style="list-style-type: none"> <li>at 24 V</li> <li>at 48 V</li> <li>at 110 V</li> <li>at 230 V</li> </ul> </li> </ul>	A	2.5
<ul style="list-style-type: none"> <li>at DC-13 <ul style="list-style-type: none"> <li>at 24 V</li> <li>at 48 V</li> <li>at 110 V</li> <li>at 230 V</li> </ul> </li> </ul>	A	1
<ul style="list-style-type: none"> <li>at DC-13 <ul style="list-style-type: none"> <li>at 24 V</li> <li>at 48 V</li> <li>at 110 V</li> <li>at 230 V</li> </ul> </li> </ul>	A	3
<ul style="list-style-type: none"> <li>at DC-13 <ul style="list-style-type: none"> <li>at 24 V</li> <li>at 48 V</li> <li>at 110 V</li> <li>at 230 V</li> </ul> </li> </ul>	A	1.5
<ul style="list-style-type: none"> <li>at DC-13 <ul style="list-style-type: none"> <li>at 24 V</li> <li>at 48 V</li> <li>at 110 V</li> <li>at 230 V</li> </ul> </li> </ul>	A	0.7
<ul style="list-style-type: none"> <li>at DC-13 <ul style="list-style-type: none"> <li>at 24 V</li> <li>at 48 V</li> <li>at 110 V</li> <li>at 230 V</li> </ul> </li> </ul>	A	0.3
<b>Suitability for integration</b>		
<ul style="list-style-type: none"> <li>pressure selection button</li> </ul>		front element
<ul style="list-style-type: none"> <li>front element</li> </ul>		Yes
<ul style="list-style-type: none"> <li>suspension switch</li> </ul>		Yes

• suspension pushbutton		Yes
<b>Insulation voltage / rated value</b>	V	400
<b>Impulse voltage resistance / rated value</b>	kV	4
<b>Tightening torque / for auxiliary contacts / with screw-type terminals</b>	N·m	0.8
<b>Operating cycles / maximum</b>	1/h	1,000
<b>Electrical operating cycles as operating time / with contactors 3RT1015 to 3RT1026 / typical</b>		10,000,000
<b>Mechanical operating cycles as operating time / typical</b>		10,000,000
<b>Product component</b>		
• fluorescent materials		No
• diode		No
• lamp transformer		No
• series resistance		No
<b>Type of mounting</b>		front mounting

#### Connections:

##### Type of the connectable conductor cross-section

- for auxiliary contacts / solid
- for auxiliary contacts / solid / with conductor end processing
- for auxiliary contacts / finely stranded / with conductor end processing
- for AWG conductors / for auxiliary contacts

2x (1 ... 1.5 mm<sup>2</sup>)  
2x (0.5 ... 0.75 mm<sup>2</sup>)  
2x (0.5 ... 1.5 mm<sup>2</sup>)  
2x (18 ... 14)

#### Certificates/approvals:

##### General Product Approval



CCC



CSA



GOST

##### Declaration of Conformity



EG-Konf.

##### other

[Confirmation](#)

[Environmental Confirmations](#)

#### Further information:

##### Information- and Downloadcenter (Catalogs, Brochures,...)

<http://www.siemens.com/industrial-controls/catalogs>

##### Industry Mall (Online ordering system)

<http://www.siemens.com/industrial-controls/mall>

##### Cax online generator

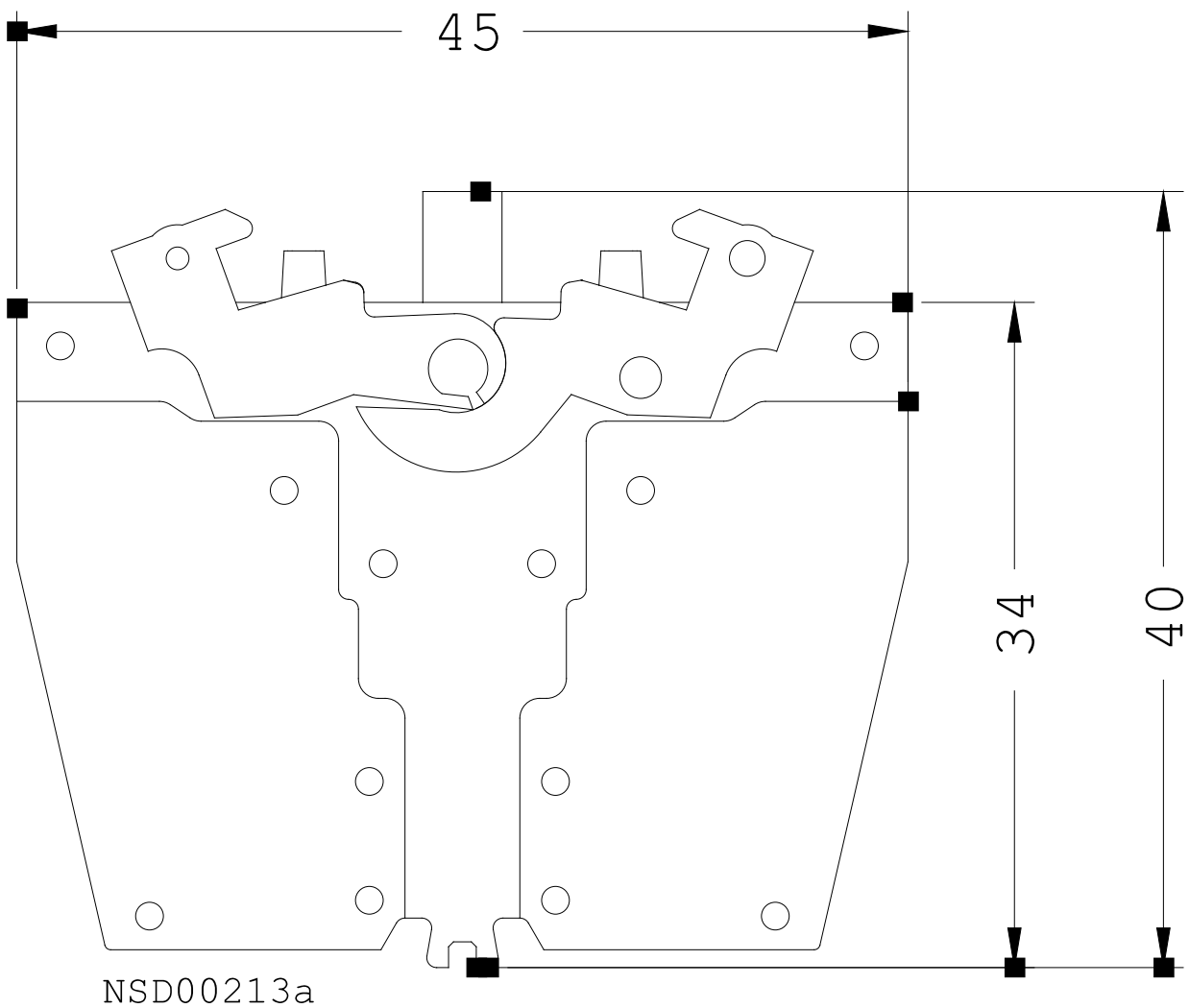
<http://www.siemens.com/cax>

##### Service&Support (Manuals, Certificates, Characteristics, FAQs,...)

<http://support.automation.siemens.com/WW/view/en/3SB3400-0E/all>

##### Image database (product images, 2D dimension drawings, 3D models, device circuit diagrams, ...)

[http://www.automation.siemens.com/bilddb/cax\\_en.aspx?mlfb=3SB3400-0E](http://www.automation.siemens.com/bilddb/cax_en.aspx?mlfb=3SB3400-0E)



NSD00213a

last change:

Sep 2, 2013