

ACTUATOR-/INDICATOR COMPONENT WITH INTEGRATED LED  
24V AC/DC LAMP HOLDER SCREW TERMINAL RED



Figure similar

<b>Product designation</b>	lampholder
<b>Contact block/ lampholder:</b>	
<b>Mounting type</b>	integrated
<b>Number of lampholders</b>	1
<b>General technical data:</b>	
<b>Product function</b>	
• positive opening	No
<b>Product component</b>	
• diode	Yes
• lamp transformer	No
• Light source	Yes
• series resistor	No
<b>Insulation voltage</b>	
• rated value	250 V
<b>Degree of pollution</b>	class 3
<b>Surge voltage resistance rated value</b>	4 kV
<b>Protection class IP</b>	
• of the enclosure	IP40

• of the terminal	IP20
<b>Equipment marking</b>	
• acc. to DIN 40719 extended according to IEC 204-2 acc. to IEC 750	H
• acc. to DIN EN 61346-2	P
• acc. to DIN EN 81346-2	P
<b>Operating voltage 1</b>	
• at AC	
— at 50 Hz rated value	24 V
— at 60 Hz rated value	24 V
• at DC rated value	24 V

<b>Supply voltage:</b>	
<b>Type of voltage of the supply voltage</b>	
• of the light source	AC/DC
<b>Supply voltage 1 of the light source at AC</b>	
• at 50 Hz rated value	24 V
• at 60 Hz rated value	24 V
<b>Supply voltage 1 of the light source at DC</b>	
• rated value	24 V

<b>Auxiliary circuit:</b>	
<b>Number of NC contacts</b>	
• for auxiliary contacts	0
<b>Number of NO contacts</b>	
• for auxiliary contacts	0
<b>Number of CO contacts</b>	
• for auxiliary contacts	0
<b>Consumed current for rated value of supply voltage maximum</b>	18 mA

<b>Connections/ Terminals:</b>	
<b>Type of electrical connection</b>	screw-type terminals
<b>Type of connectable conductor cross-sections</b>	
• for auxiliary contacts	
— solid	2x (1.0 ... 1.5 mm <sup>2</sup> )
— solid with core end processing	2x (0.5 ... 0.75 mm <sup>2</sup> )
— finely stranded with core end processing	2x (0.5 ... 1.5 mm <sup>2</sup> )
• at AWG conductors for auxiliary contacts	2x (18 ... 14)
<b>Tightening torque</b>	
• for auxiliary contacts with screw-type terminals	0.8 N·m

<b>Lamp:</b>	
<b>Type of light source</b>	LED
<b>Color of the light source</b>	red

## Ambient conditions:





### Ambient temperature

- during operation -25 ... +70 °C
- during storage -25 ... +80 °C

## Installation/ mounting/ dimensions:

Mounting type	front mounting
Height	36 mm
Width	10 mm
Depth	20 mm

## Certificates/approvals

General Product Approval	Declaration of Conformity	Test Certificates	other		
 CCC	 CSA		 EG-Konf.	<a href="#">spezielle Prüfbescheinigung</a> <a href="#">n</a>	<a href="#">Bestätigungen</a>

### other

[Umweltbestätigung](#)

## Further information

### Information- and Downloadcenter (Catalogs, Brochures,...)

<http://www.siemens.com/industrial-controls/catalogs>

### Industry Mall (Online ordering system)

<https://mall.industry.siemens.com/mall/en/en/Catalog/product?mlfb=3SB34001PB>

### Cax online generator

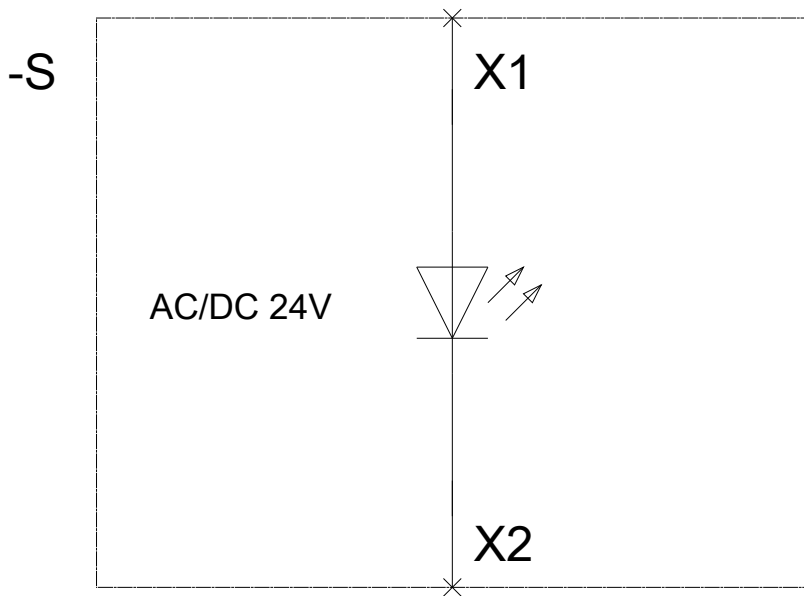
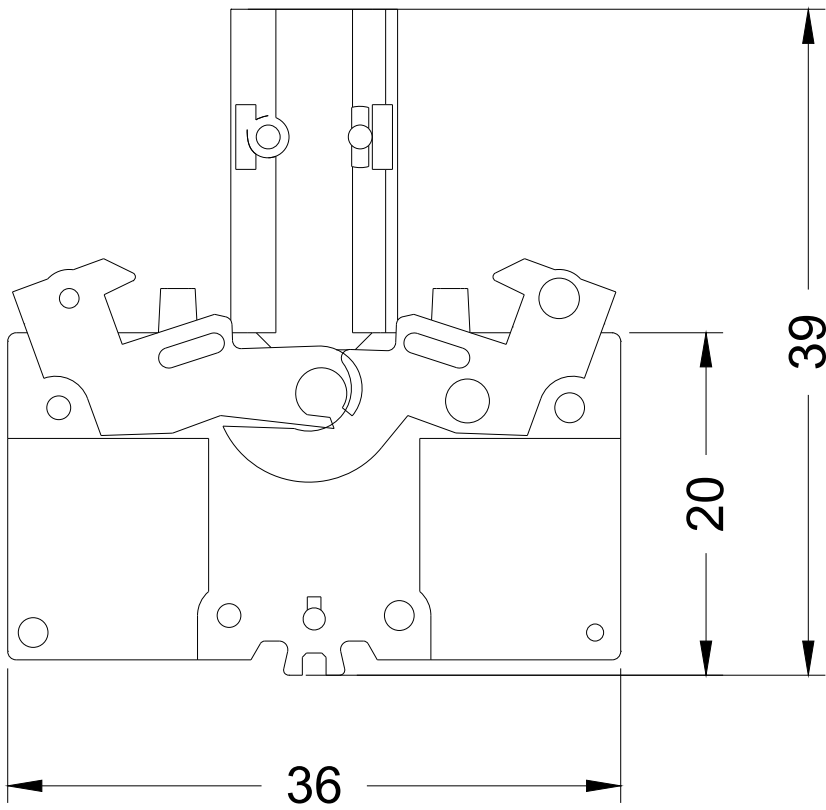
<http://support.automation.siemens.com/WW/CAXorder/default.aspx?lang=en&mlfb=3SB34001PB>

### Service&Support (Manuals, Certificates, Characteristics, FAQs,...)

<https://support.industry.siemens.com/cs/ww/en/ps/3SB34001PB>

### Image database (product images, 2D dimension drawings, 3D models, device circuit diagrams, EPLAN macros, ...)

[http://www.automation.siemens.com/bilddb/cax\\_de.aspx?mlfb=3SB34001PB&lang=en](http://www.automation.siemens.com/bilddb/cax_de.aspx?mlfb=3SB34001PB&lang=en)



last modified:

31.03.2016