



General technical details:

Product designation		lampholder
Degree of pollution		class 3
Insulation voltage / rated value	V	250
Impulse voltage resistance / rated value	kV	4
Protection against electrical shock		finger-safe
Type of voltage		
• of the operating voltage		AC/DC
• of the supply voltage / of the fluorescent material		AC/DC
Operating voltage		
• 1 / for DC / rated value	V	24
• for DC		
• rated value	V	21.6 ... 26.4
• 1 / at 50 Hz / for AC / rated value	V	24
• at 50 Hz / at AC		
• rated value	V	21.6 ... 26.4
• 1 / at 60 Hz / for AC / rated value	V	24
• at 60 Hz / at AC		
• rated value	V	21.6 ... 26.4
Supply voltage / 1 / of the fluorescent material		

<ul style="list-style-type: none"> • at 60 Hz / for AC / rated value 	V	24
<ul style="list-style-type: none"> • at 50 Hz / for AC / rated value 	V	24
<ul style="list-style-type: none"> • for DC / rated value 	V	24
Number of NC contacts / for auxiliary contact		0
Number of NO contacts / for auxiliary contact		0
Number of change-over switches / for auxiliary contact		0
Suitability for integration		front element
<ul style="list-style-type: none"> • Suspension button 		Yes
<ul style="list-style-type: none"> • Pressure selection button 		Yes
<ul style="list-style-type: none"> • Front element 		Yes
<ul style="list-style-type: none"> • Suspension button 		Yes
Item designation		
<ul style="list-style-type: none"> • according to DIN 40719 extendable after IEC 204-2 / according to IEC 750 		H
<ul style="list-style-type: none"> • according to DIN EN 61346-2 		P

Mechanical design:

Design of the electrical connection		screw-type terminals
Tightening torque / for auxiliary contacts / with screw-type terminals	N·m	0.8
Operating cycles / maximum	1/h	1,000
Electrical operating cycles as operating time / with contactors 3RT1015 to 3RT1026 / typical		100,000,000
Mechanical operating cycles as operating time / typical		10,000,000
Protection class IP		IP20
Protection class IP / of the housing		IP40
Type of fixing/fixation		front mounting
Product component		
<ul style="list-style-type: none"> • Fluorescent materials 		Yes
<ul style="list-style-type: none"> • Diode 		Yes
<ul style="list-style-type: none"> • Series resistance 		No
<ul style="list-style-type: none"> • lamp transformer 		No
Execution of the mounting		integrated
Nature of fluorescent material		LED
Width	mm	10
Height	mm	36
Depth	mm	39.1
Color / of the fluorescent material		blue

Connections:

Type of connectable conductor cross section

- for auxiliary contacts
 - solid
 - with wire end processing
 - finely stranded
 - with wire end processing
- for AWG conductors / for auxiliary contacts

	2x (1 ... 1.5 mm ²)
	2x (0.5 ... 0.75 mm ²)
	2x (0.5 ... 1.5 mm ²)
	2x (18 ... 14)

Ambient conditions:

Ambient temperature

- during the operating phase

°C	70 ... -25
----	------------

Certificates/approvals:

verification of suitability

	CSA / UL / CCC
--	----------------

Further information:

Information- and Downloadcenter (Catalogs, Brochures,...)

<http://www.siemens.com/industrial-controls/catalogs>

Global Industry Mall (Online ordering system)

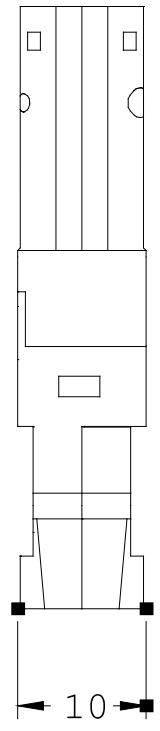
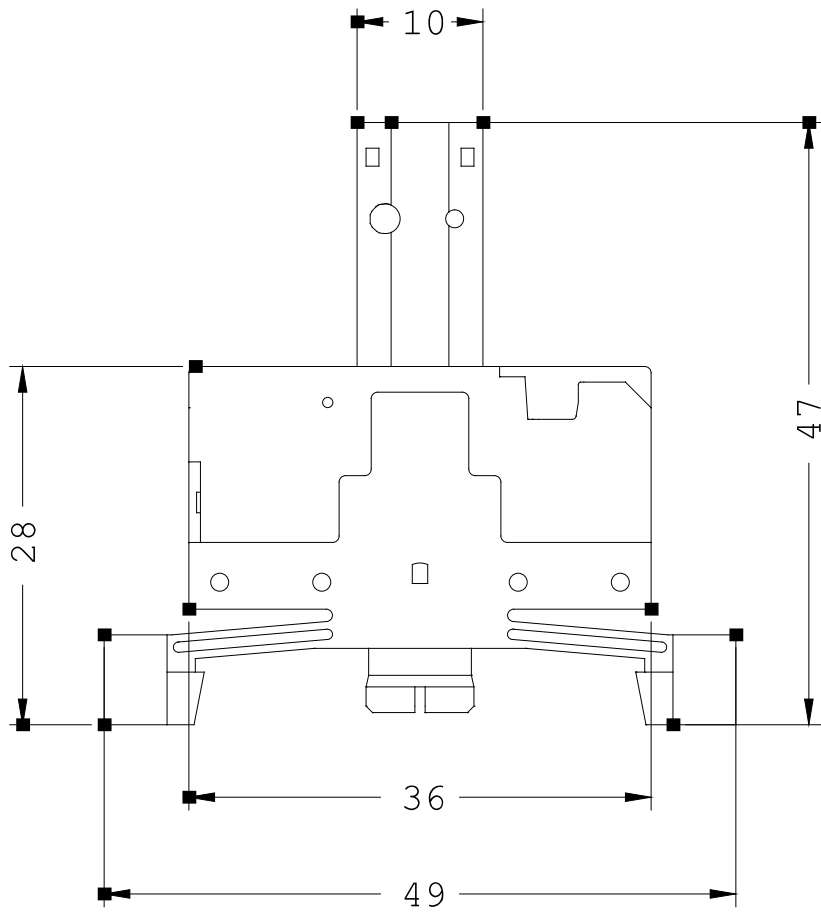
<http://www.siemens.com/industrial-controls/mall>

Service&Support (Manuals, Certificates, Characteristics, FAQs,...)

<http://support.automation.siemens.com/WW/view/en/3SB3400-1PD/all>

Image database (product images, 2D dimension drawings, 3D models, device circuit diagrams, ...)

http://www.automation.siemens.com/bilddb/cax_en.aspx?mlfb=3SB3400-1PD



NSD0-01302

last change:

Jun 14, 2010