



ACTUATOR-/INDICATOR COMPONENT WITH INTEGRATED LED 110V AC LAMP HOLDER SCREW TERMINAL RED

General technical details:		
product designation		lampholder
Degree of pollution		class 3
Insulation voltage / rated value	V	250
Impulse voltage resistance / rated value	kV	4
Type of voltage		
• of the operating voltage		AC
• of the supply voltage / of the fluorescent material		AC
Operating voltage		
• 1 / at 50 Hz / for AC / rated value	V	110
• 1 / at 60 Hz / for AC / rated value	V	110
Supply voltage / 1 / of the fluorescent material		
• at 60 Hz / for AC / rated value	V	110
• at 50 Hz / for AC / rated value	V	110
Number of NC contacts / for auxiliary contacts		0
Number of NO contacts / for auxiliary contacts		0
Number of change-over switches / for auxiliary contacts		0
Suitability for integration		front element
• suspension pushbutton		Yes
• pressure selection button		Yes

• front element	Yes
• suspension switch	Yes
Item designation	
• according to DIN 40719 extendable after IEC 204-2 / according to IEC 750	H
• according to DIN EN 61346-2	P

Mechanical design:		
Design of the electrical connection		screw-type terminals
Tightening torque / for auxiliary contacts / with screw-type terminals	N·m	0.8
Operating cycles / maximum	1/h	1,000
Electrical operating cycles as operating time / with contactors 3RT1015 to 3RT1026 / typical		100,000,000
protection class IP / of the housing		IP40
Type of mounting		front mounting
Product component		
• fluorescent materials		Yes
• diode		Yes
• series resistance		No
• lamp transformer		No
Execution of the mounting		integrated
Nature of fluorescent material		LED
Color / of the fluorescent material		red

Connections:		
Type of the connectable conductor cross-section		
• for auxiliary contacts		
• solid		2x (1 ... 1.5 mm ²)
• with conductor end processing		2x (0.5 ... 0.75 mm ²)
• finely stranded		
• with conductor end processing		2x (0.5 ... 1.5 mm ²)
• for AWG conductors / for auxiliary contacts		2x (18 ... 14)

Ambient conditions:		
Ambient temperature		
• during operating	°C	-25 ... 70

General Product Approval		Test Certificates	other
		ROSTEST	
CQC	CSA	Manufacturer	Manufacturer

Further information:

Information- and Downloadcenter (Catalogs, Brochures,...)

<http://www.siemens.com/industrial-controls/catalogs>

Industry Mall (Online ordering system)

<http://www.siemens.com/industrial-controls/mall>

CAX-Online-Generator

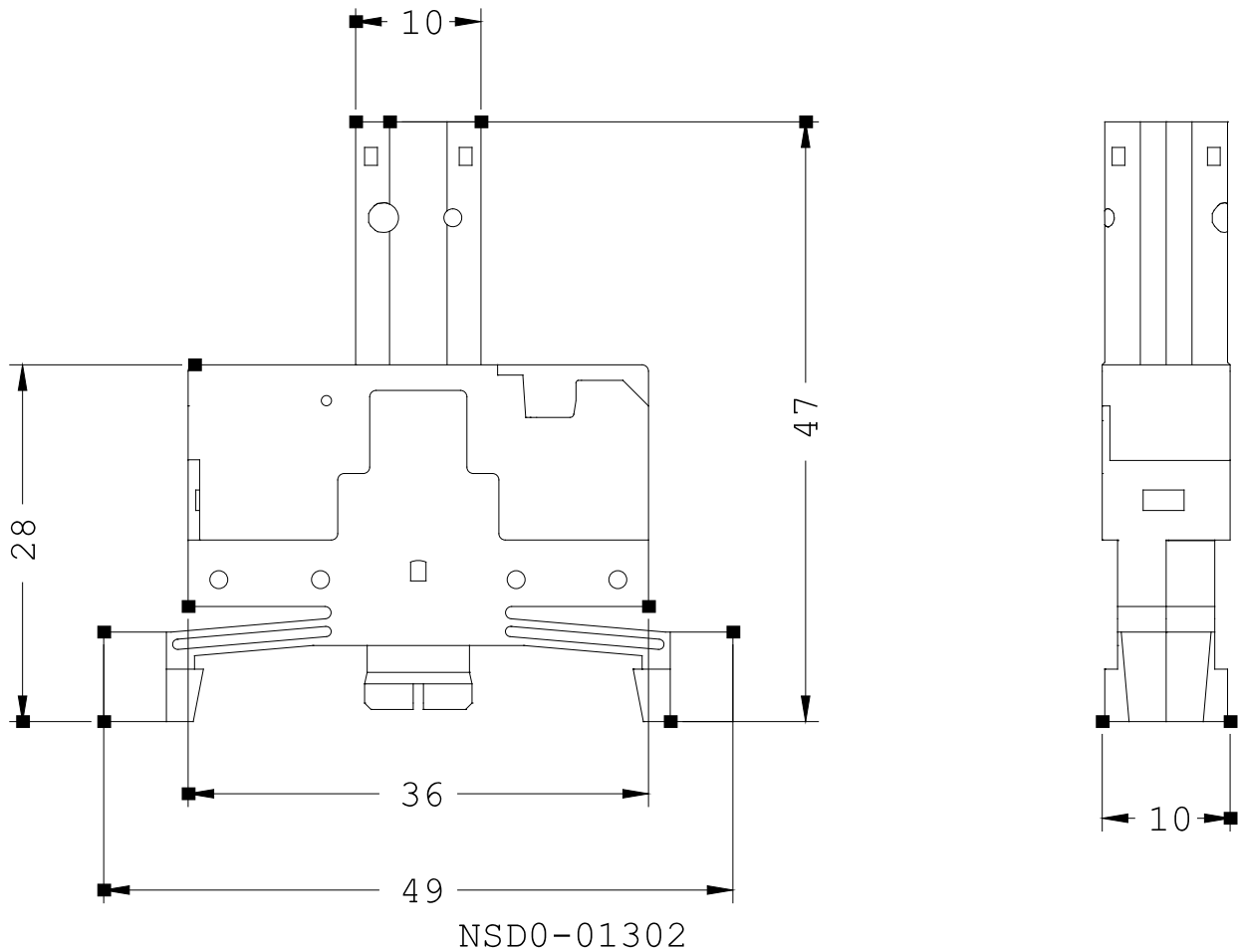
<http://www.siemens.com/cax>

Service&Support (Manuals, Certificates, Characteristics, FAQs,...)

<http://support.automation.siemens.com/WW/view/en/3SB3400-1QB/all>

Image database (product images, 2D dimension drawings, 3D models, device circuit diagrams, ...)

http://www.automation.siemens.com/bilddb/cax_en.aspx?mlfb=3SB3400-1QB



last change:

Oct 24, 2011