



ACTUATOR-/INDICATOR COMPONENT WITH INTEGRATED LED 110V AC LAMP HOLDER SCREW TERMINAL GREEN

General technical details:		
<b>product designation</b>		lampholder
<b>Degree of pollution</b>		class 3
<b>Insulation voltage / rated value</b>	V	250
<b>Impulse voltage resistance / rated value</b>	kV	4
<b>Type of voltage</b>		
• of the operating voltage		AC
• of the supply voltage / of the fluorescent material		AC
<b>Operating voltage</b>		
• 1 / at 50 Hz / for AC / rated value	V	110
• 1 / at 60 Hz / for AC / rated value	V	110
<b>Supply voltage / 1 / of the fluorescent material</b>		
• at 60 Hz / for AC / rated value	V	110
• at 50 Hz / for AC / rated value	V	110
<b>Number of NC contacts / for auxiliary contacts</b>		0
<b>Number of NO contacts / for auxiliary contacts</b>		0
<b>Number of change-over switches / for auxiliary contacts</b>		0
<b>Suitability for integration</b>		front element
• suspension pushbutton		Yes
• pressure selection button		Yes

• front element	Yes
• suspension switch	Yes
<b>Item designation</b>	
• according to DIN 40719 extendable after IEC 204-2 / according to IEC 750	H
• according to DIN EN 61346-2	P

Mechanical design:	
<b>Design of the electrical connection</b>	screw-type terminals
<b>Tightening torque / for auxiliary contacts / with screw-type terminals</b>	N·m 0.8
<b>Operating cycles / maximum</b>	1/h 1,000
<b>Electrical operating cycles as operating time / with contactors 3RT1015 to 3RT1026 / typical</b>	100,000,000
<b>protection class IP / of the housing</b>	IP40
<b>Type of mounting</b>	front mounting
<b>Product component</b>	
• fluorescent materials	Yes
• diode	Yes
• series resistance	No
• lamp transformer	No
<b>Execution of the mounting</b>	integrated
<b>Nature of fluorescent material</b>	LED
<b>Color / of the fluorescent material</b>	green

Connections:	
<b>Type of the connectable conductor cross-section</b>	
• for auxiliary contacts	
• solid	2x (1 ... 1.5 mm <sup>2</sup> )
• with conductor end processing	2x (0.5 ... 0.75 mm <sup>2</sup> )
• finely stranded	
• with conductor end processing	2x (0.5 ... 1.5 mm <sup>2</sup> )
• for AWG conductors / for auxiliary contacts	2x (18 ... 14)

Ambient conditions:	
<b>Ambient temperature</b>	
• during operating	°C -25 ... 70

General Product Approval		Test Certificates	other
		<a href="#">ROSTEST</a>	
CQC	CSA	<a href="#">Manufacturer</a>	<a href="#">Manufacturer</a>

Further information:

Information- and Downloadcenter (Catalogs, Brochures,...)

<http://www.siemens.com/industrial-controls/catalogs>

Industry Mall (Online ordering system)

<http://www.siemens.com/industrial-controls/mall>

CAX-Online-Generator

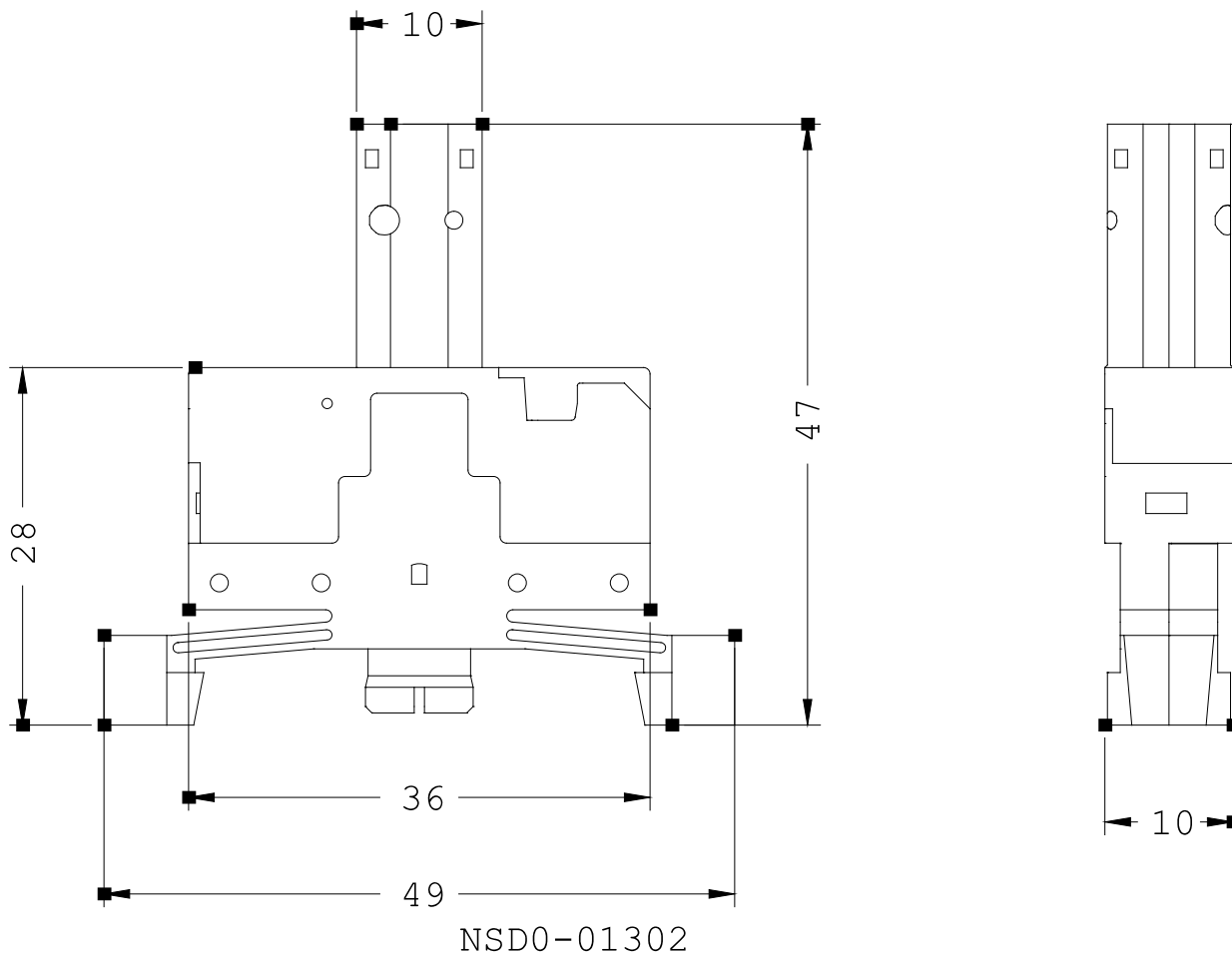
<http://www.siemens.com/cax>

Service&Support (Manuals, Certificates, Characteristics, FAQs,...)

<http://support.automation.siemens.com/WW/view/en/3SB3400-1QC/all>

Image database (product images, 2D dimension drawings, 3D models, device circuit diagrams, ...)

[http://www.automation.siemens.com/bilddb/cax\\_en.aspx?mlfb=3SB3400-1QC](http://www.automation.siemens.com/bilddb/cax_en.aspx?mlfb=3SB3400-1QC)



last change:

Oct 24, 2011