



General technical details:

Product designation		lampholder
Degree of pollution		class 3
Insulation voltage / rated value	V	250
Impulse voltage resistance / rated value	kV	4
Protection against electrical shock		finger-safe
Type of voltage		
• of the operating voltage		AC
• of the supply voltage / of the fluorescent material		AC
Operating voltage		
• 1 / at 50 Hz / for AC / rated value	V	230
• 1 / at 60 Hz / for AC / rated value	V	230
Supply voltage / 1 / of the fluorescent material		
• at 60 Hz / for AC / rated value	V	230
• at 50 Hz / for AC / rated value	V	230
Number of NC contacts / for auxiliary contact		0
Number of NO contacts / for auxiliary contact		0
Number of change-over switches / for auxiliary contact		0
Suitability for integration		front element
• Suspension button		Yes

• Pressure selection button		Yes
• Front element		Yes
• Suspension button		Yes
Item designation		
• according to DIN 40719 extendable after IEC 204-2 / according to IEC 750		H
• according to DIN EN 61346-2		P

Mechanical design:

Design of the electrical connection		screw-type terminals
Tightening torque / for auxiliary contacts / with screw-type terminals	N·m	0.8
Operating cycles / maximum	1/h	1,000
Electrical operating cycles as operating time / with contactors 3RT1015 to 3RT1026 / typical		100,000,000
Mechanical operating cycles as operating time / typical		10,000,000
Protection class IP		IP20
Protection class IP / of the housing		IP40
Type of fixing/fixation		front mounting
Product component		
• Fluorescent materials		Yes
• Diode		Yes
• Series resistance		No
• lamp transformer		No
Execution of the mounting		integrated
Nature of fluorescent material		LED
Width	mm	10
Height	mm	36
Depth	mm	39.1
Color / of the fluorescent material		yellow

Connections:

Type of connectable conductor cross section		
• for auxiliary contacts		
• solid		2x (1 ... 1.5 mm ²)
• with wire end processing		2x (0.5 ... 0.75 mm ²)
• finely stranded		
• with wire end processing		2x (0.5 ... 1.5 mm ²)
• for AWG conductors / for auxiliary contacts		2x (18 ... 14)

Ambient conditions:

Ambient temperature		
----------------------------	--	--

- during the operating phase

°C 70 ... -25

Certificates/approvals:

verification of suitability

CSA / UL / CCC

Further information:

Information- and Downloadcenter (Catalogs, Brochures,...)

<http://www.siemens.com/industrial-controls/catalogs>

Global Industry Mall (Online ordering system)

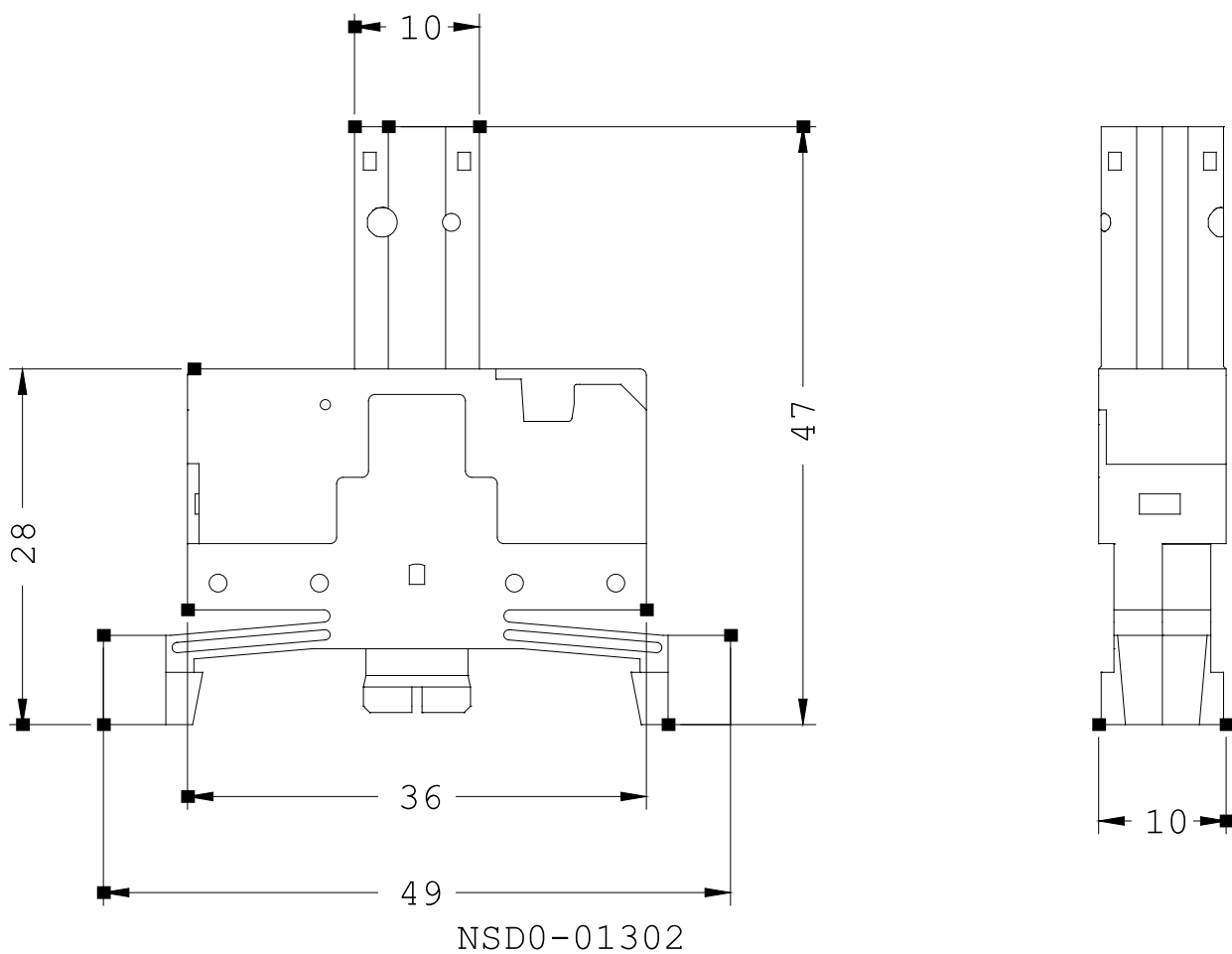
<http://www.siemens.com/industrial-controls/mall>

Service&Support (Manuals, Certificates, Characteristics, FAQs,...)

<http://support.automation.siemens.com/WW/view/en/3SB3400-1RA/all>

Image database (product images, 2D dimension drawings, 3D models, device circuit diagrams, ...)

http://www.automation.siemens.com/bilddb/cax_en.aspx?mlfb=3SB3400-1RA



last change:

Jun 14, 2010