



ACTUATOR-/INDICATOR COMPONENT WITH INTEGRATED LED 230V AC LAMP HOLDER SCREW TERMINAL RED

General technical details:		
product designation		lampholder
Degree of pollution		class 3
Insulation voltage / rated value	V	250
Impulse voltage resistance / rated value	kV	4
Protection against electrical shock		finger-safe
Type of voltage		
• of the operating voltage		AC
• of the supply voltage / of the fluorescent material		AC
Operating voltage		
• 1 / at 50 Hz / for AC / rated value	V	230
• 1 / at 60 Hz / for AC / rated value	V	230
Supply voltage / 1 / of the fluorescent material		
• at 60 Hz / for AC / rated value	V	230
• at 50 Hz / for AC / rated value	V	230
Number of NC contacts / for auxiliary contacts		0
Number of NO contacts / for auxiliary contacts		0
Number of change-over switches / for auxiliary contacts		0
Suitability for integration		front element
• suspension pushbutton		Yes

<ul style="list-style-type: none"> • pressure selection button • front element • suspension switch 		Yes
		Yes
		Yes
Item designation		
<ul style="list-style-type: none"> • according to DIN 40719 extendable after IEC 204-2 / according to IEC 750 • according to DIN EN 61346-2 		H
		P

Mechanical design:

Design of the electrical connection		screw-type terminals
Tightening torque / for auxiliary contacts / with screw-type terminals	N·m	0.8
Operating cycles / maximum	1/h	1,000
Electrical operating cycles as operating time / with contactors 3RT1015 to 3RT1026 / typical		100,000,000
Mechanical operating cycles as operating time / typical		10,000,000
Protection class IP		IP20
protection class IP / of the housing		IP40
Type of mounting		front mounting
Product component		
<ul style="list-style-type: none"> • fluorescent materials 		Yes
<ul style="list-style-type: none"> • diode 		Yes
<ul style="list-style-type: none"> • series resistance 		No
<ul style="list-style-type: none"> • lamp transformer 		No
Execution of the mounting		integrated
Nature of fluorescent material		LED
Width	mm	10
Height	mm	36
Depth	mm	39.1
Color / of the fluorescent material		red

Connections:

Type of the connectable conductor cross-section		
<ul style="list-style-type: none"> • for auxiliary contacts <ul style="list-style-type: none"> • solid <ul style="list-style-type: none"> • with conductor end processing • finely stranded <ul style="list-style-type: none"> • with conductor end processing • for AWG conductors / for auxiliary contacts 		2x (1 ... 1.5 mm ²) 2x (0.5 ... 0.75 mm ²) 2x (0.5 ... 1.5 mm ²) 2x (18 ... 14)

Ambient conditions:

ambient temperature		
----------------------------	--	--

• during the operating phase

°C -25 ... 70

Certificates/approvals:

Verification of suitability

CSA / UL / CCC

General Product Approval

Test Certificates

other



[ROSTEST](#)



[Manufacturer](#)

[Manufacturer](#)

Further information:

Information- and Downloadcenter (Catalogs, Brochures,...)

<http://www.siemens.com/industrial-controls/catalogs>

Industry Mall (Online ordering system)

<http://www.siemens.com/industrial-controls/mall>

CAX-Online-Generator

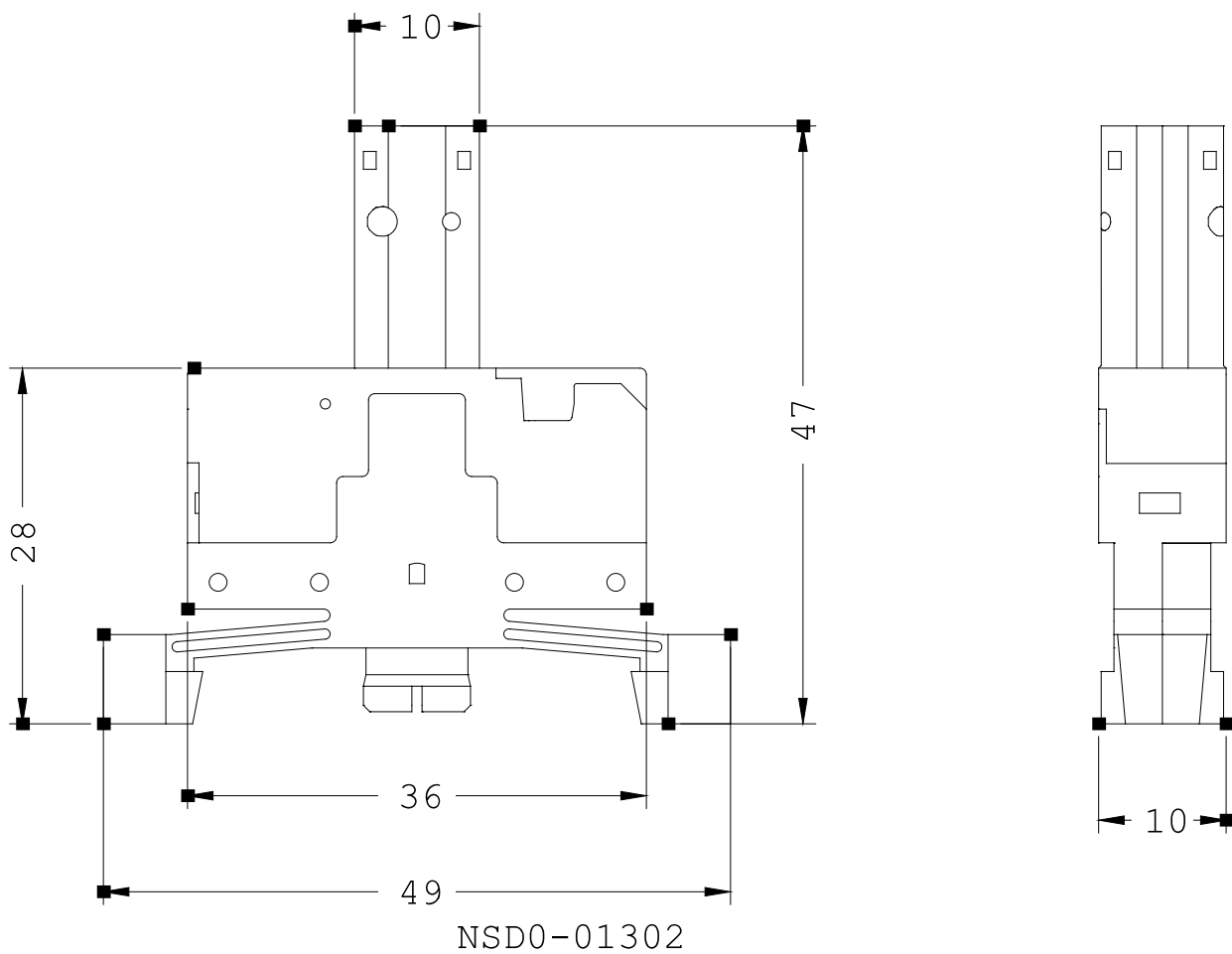
<http://www.siemens.com/cax>

Service&Support (Manuals, Certificates, Characteristics, FAQs,...)

<http://support.automation.siemens.com/WW/view/en/3SB3400-1RB/all>

Image database (product images, 2D dimension drawings, 3D models, device circuit diagrams, ...)

http://www.automation.siemens.com/bilddb/cax_en.aspx?mlfb=3SB3400-1RB



last change:

May 16, 2011