



**General technical details:**

<b>Product designation</b>		lampholder
<b>Degree of pollution</b>		class 3
<b>Insulation voltage / rated value</b>	V	250
<b>Impulse voltage resistance / rated value</b>	kV	4
<b>Protection against electrical shock</b>		finger-safe
<b>Type of voltage</b>		
• of the operating voltage		AC
• of the supply voltage / of the fluorescent material		AC
<b>Operating voltage</b>		
• 1 / at 50 Hz / for AC / rated value	V	230
• 1 / at 60 Hz / for AC / rated value	V	230
<b>Supply voltage / 1 / of the fluorescent material</b>		
• at 60 Hz / for AC / rated value	V	230
• at 50 Hz / for AC / rated value	V	230
<b>Number of NC contacts / for auxiliary contact</b>		0
<b>Number of NO contacts / for auxiliary contact</b>		0
<b>Number of change-over switches / for auxiliary contact</b>		0
<b>Suitability for integration</b>		front element
• Suspension button		Yes

• Pressure selection button		Yes
• Front element		Yes
• Suspension button		Yes
<b>Item designation</b>		
• according to DIN 40719 extendable after IEC 204-2 / according to IEC 750		H
• according to DIN EN 61346-2		P

### Mechanical design:

<b>Design of the electrical connection</b>		screw-type terminals
<b>Tightening torque / for auxiliary contacts / with screw-type terminals</b>	N·m	0.8
<b>Operating cycles / maximum</b>	1/h	1,000
<b>Electrical operating cycles as operating time / with contactors 3RT1015 to 3RT1026 / typical</b>		100,000,000
<b>Mechanical operating cycles as operating time / typical</b>		10,000,000
<b>Protection class IP</b>		IP20
<b>Protection class IP / of the housing</b>		IP40
<b>Type of fixing/fixation</b>		front mounting
<b>Product component</b>		
• Fluorescent materials		Yes
• Diode		Yes
• Series resistance		No
• lamp transformer		No
<b>Execution of the mounting</b>		integrated
<b>Nature of fluorescent material</b>		LED
<b>Width</b>	mm	10
<b>Height</b>	mm	36
<b>Depth</b>	mm	39.1
<b>Color / of the fluorescent material</b>		green

### Connections:

<b>Type of connectable conductor cross section</b>		
• for auxiliary contacts		
• solid		2x (1 ... 1.5 mm <sup>2</sup> )
• with wire end processing		2x (0.5 ... 0.75 mm <sup>2</sup> )
• finely stranded		
• with wire end processing		2x (0.5 ... 1.5 mm <sup>2</sup> )
• for AWG conductors / for auxiliary contacts		2x (18 ... 14)

### Ambient conditions:

<b>Ambient temperature</b>		
----------------------------	--	--

- during the operating phase

°C 70 ... -25

**Certificates/approvals:**

verification of suitability

CSA / UL / CCC

**Further information:**

**Information- and Downloadcenter (Catalogs, Brochures,...)**

<http://www.siemens.com/industrial-controls/catalogs>

**Global Industry Mall (Online ordering system)**

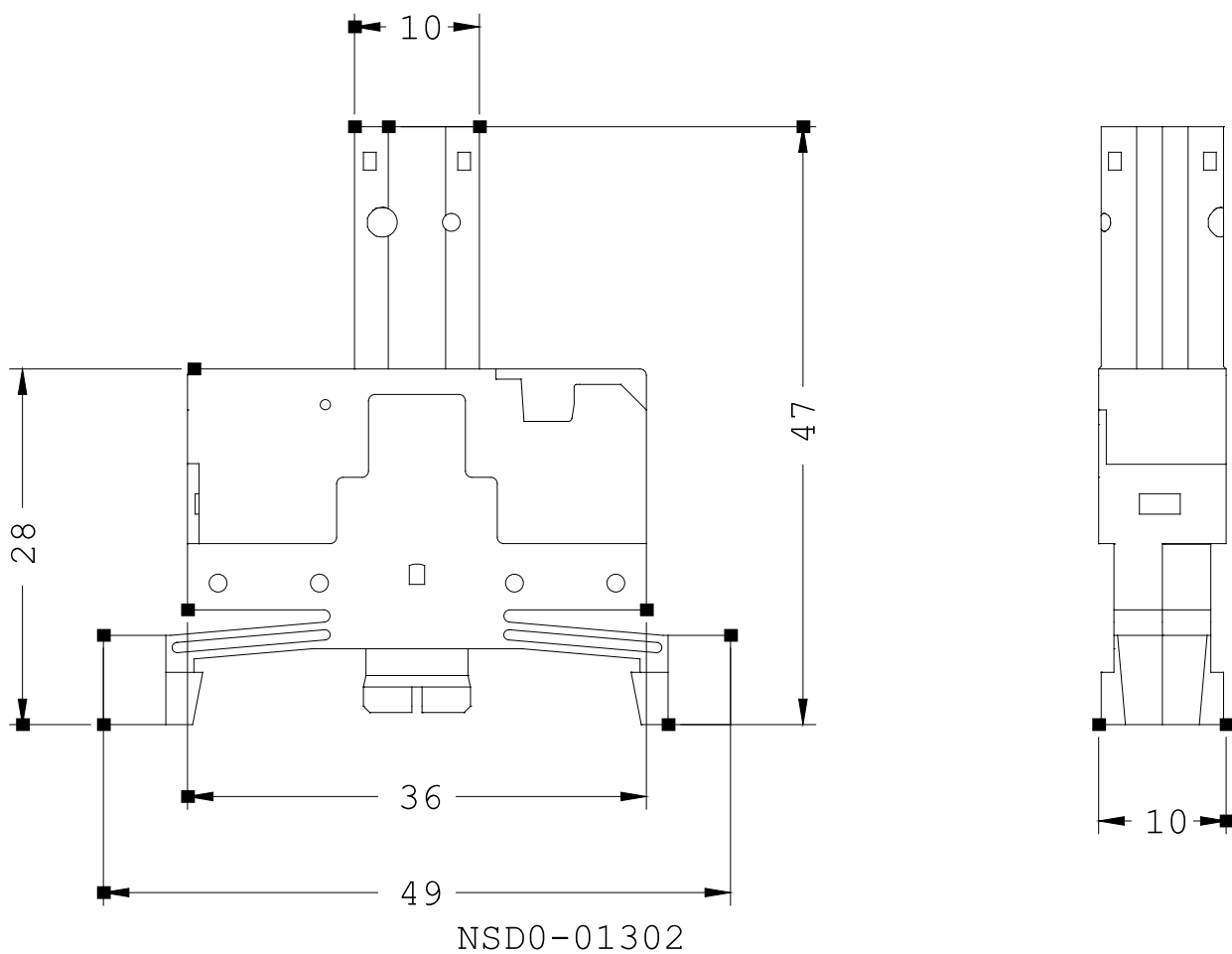
<http://www.siemens.com/industrial-controls/mall>

**Service&Support (Manuals, Certificates, Characteristics, FAQs,...)**

<http://support.automation.siemens.com/WW/view/en/3SB3400-1RC/all>

**Image database (product images, 2D dimension drawings, 3D models, device circuit diagrams, ...)**

[http://www.automation.siemens.com/bilddb/cax\\_en.aspx?mlfb=3SB3400-1RC](http://www.automation.siemens.com/bilddb/cax_en.aspx?mlfb=3SB3400-1RC)



last change:

Jun 14, 2010