

ACTUATOR-/INDICATOR COMPONENT ON LAMP HOLDER  
 3SB3400-1A TRANSFORMATORS FOR SNAPPING SCREW  
 TERMINAL RATED VOLTAGE 400/24V AC



<b>Product designation</b>	lamp transformer
<b>Contact block/ lampholder:</b>	
<b>Number of lampholders</b>	0
<b>General technical data:</b>	
<b>Product function</b>	
• positive opening	No
<b>Product component</b>	
• diode	No
• lamp transformer	Yes
• Light source	No
• series resistor	No
<b>Insulation voltage</b>	
• Rated value	250 V
<b>Surge voltage resistance Rated value</b>	4 kV
<b>Protection class IP</b>	
• of the enclosure	IP40
• of the terminal	IP20
<b>Degree of pollution</b>	class 3

<b>Equipment marking</b>	
• acc. to DIN 40719 extended according to IEC 204-2 acc. to IEC 750	H
• acc. to DIN EN 61346-2	P
• acc. to DIN EN 81346-2	P

#### Auxiliary circuit:

<b>Number of NC contacts</b>	
• for auxiliary contacts	0
<b>Number of NO contacts</b>	
• for auxiliary contacts	0
<b>Number of CO contacts</b>	
• for auxiliary contacts	0

#### Inputs/ Outputs:

<b>Output voltage 1 of the lamp transformer Rated value</b>	24 V
---	------

#### Connections/ Terminals:

<b>Type of electrical connection</b>	screw-type terminals
--------------------------------------	----------------------

#### Ambient conditions:

<b>Ambient temperature</b>	
• during operation	-25 ... +60 °C
• during storage	-25 ... +80 °C

#### Installation/ mounting/ dimensions:

<b>Mounting type</b>	front mounting
<b>Height</b>	38.6 mm
<b>Width</b>	30 mm
<b>Depth</b>	50.2 mm

#### Certificates/ approvals:

<b>General Product Approval</b>	<b>Declaration of Conformity</b>	<b>other</b>
---------------------------------	----------------------------------	--------------



[Umweltbestätigung](#)

[Bestätigungen](#)

#### Further information

**Information- and Downloadcenter (Catalogs, Brochures,...)**

<http://www.siemens.com/industrial-controls/catalogs>

**Industry Mall (Online ordering system)**

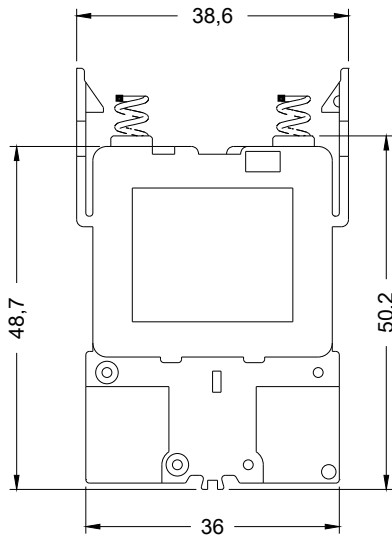
<https://mall.industry.siemens.com/mall/en/en/Catalog/product?mlfb=3SB34003F>

**Cax online generator**

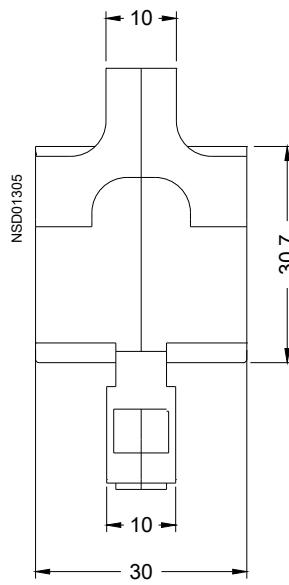
<http://support.automation.siemens.com/WW/CAXorder/default.aspx?lang=en&mlfb=3SB34003F>

**Service&Support (Manuals, Certificates, Characteristics, FAQs,...)**

<https://support.industry.siemens.com/cs/ww/en/ps/3SB34003F>



last modified:



11.09.2015