

22MM METAL ROUND ACTUATOR: PUSHBUTTON WITH
FLAT BUTTON WITH HOLDER RED



Actuator:		
Design of the product		Single device round
Design of the operating mechanism		Pushbutton
Outer diameter / of the actuating element	mm	28.5
Manner of function / of the actuating element		Momentary contact type
Type of unlocking device		without
Color / of the actuating element		Red
Material / of the actuating element		plastic
Shape / of the actuating element		Flat pushbutton
Number of switching positions		2
Product component / front ring		Yes
Material / of the front ring		metal
Color / of the front ring		silver
Design of the front ring		Standard
Product function / EMERGENCY STOP function		No

Holder:		
Material / of the holder		Metal

General technical data:		
Shock resistance		

• for devices without incandescent lamp / acc. to IEC 60068-2-27		<= 50g
Vibration resistance / acc. to IEC 60068-2-6		20 ... 200 Hz: 5g
Operating frequency / maximum	1/h	1,000
Mechanical service life (switching cycles) / typical		10,000,000
Product expansion / optional / Light source		No
Reference code		S
• acc. to DIN EN 61346-2		S
• acc. to DIN 40719 extended according to IEC 204-2 / acc. to IEC 750		S
Tightening torque / of the screws in the bracket / maximum	N-m	1
Ambient temperature		
• during operation	°C	-25 ... +70
• during storage	°C	-40 ... +80
Protection class IP		IP67
Climate class / during operation / acc. to EN 60721		3K6
Mounting type		front mounting
Shape / of the installation opening		round
Installation width	mm	28.5
Mounting diameter	mm	22
Mounting height	mm	12
Installation depth	mm	29

Certificates/ approvals:

General Product Approval



EG-Konf.

[Special Test Certificate](#)

Shipping Approval



LRS



PRS



RINA

other

[Confirmation](#)

[other](#)

[Environmental Confirmations](#)

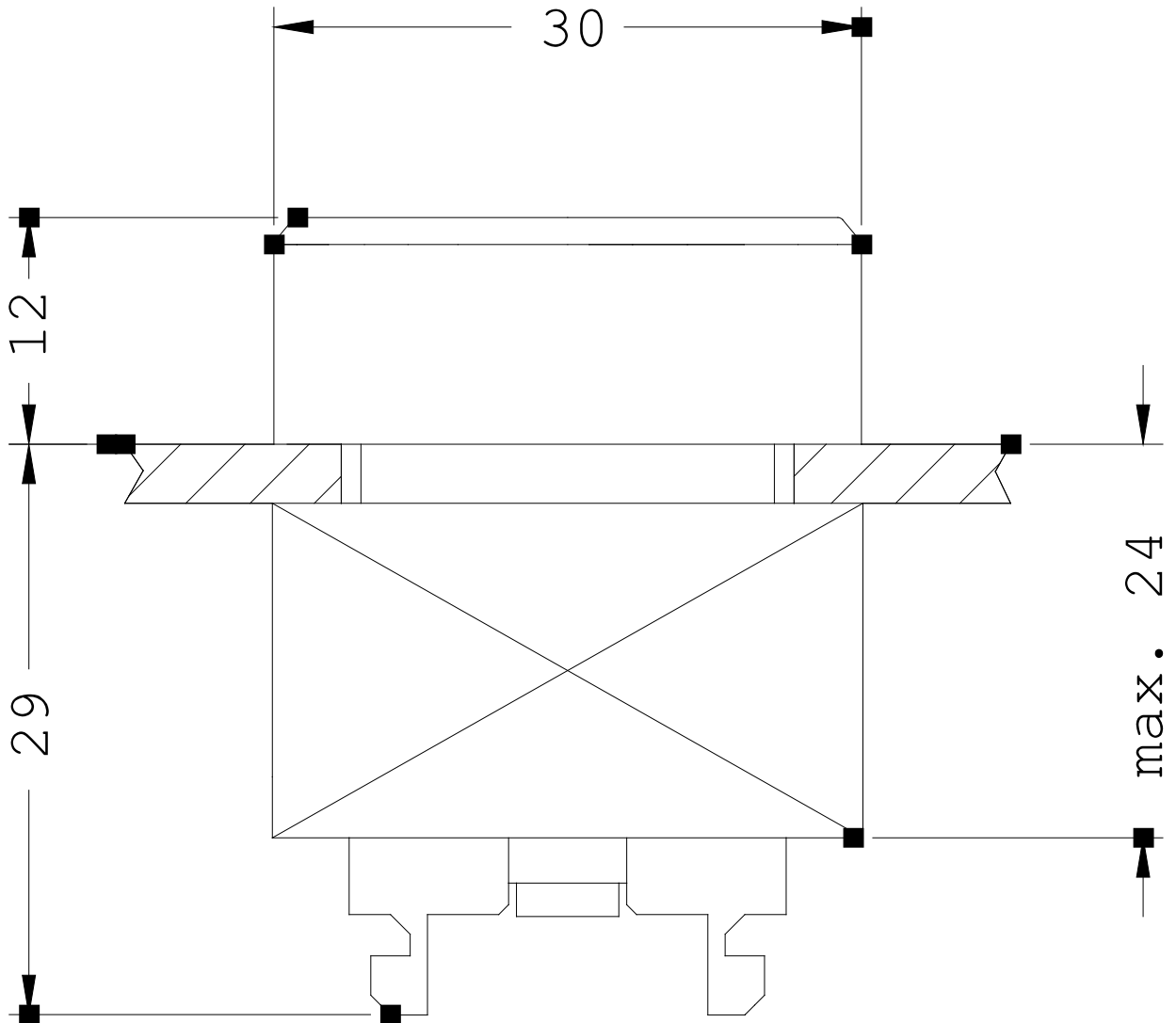
Further information:

Information- and Downloadcenter (Catalogs, Brochures,...)

<http://www.siemens.com/industrial-controls/catalogs>

Industry Mall (Online ordering system)

<http://www.siemens.com/industrial-controls/mall>



last change:

Nov 3, 2014