

22MM METAL ROUND ACTUATOR: EMERGEN.-STOP MUSHR.PUSHB. 40MM LATCH.W. ROT.-TO-UNLATCH MECH. WITH HOLDER RED



Actuator / signaling device:		
Design of the product		Single device round with positive latching in accordance with ISO 13850
Design of the operating mechanism		Emergency stop mushroom pushbutton
External diameter / of the activation element	mm	40
Type of unlocking device		rotate-to-unlatch mechanism
Color / of the activation element		Red
Material / of the activation element		plastic
Number of switching positions		2
Product component / front ring		No
Product function / EMERGENCY STOP function		Yes

General technical details:		
Resistance against shock		
<ul style="list-style-type: none"> for devices without incandescent lamp / according to IEC 60068-2-27 		<= 50g
Resistance against vibration / according to IEC 60068-2-6		20 ... 200 Hz: 5g
Operating cycles / maximum	1/h	1,000
Mechanical operating cycles as operating time / typical		300,000
Product extension / optional / fluorescent materials		No
Item designation		

<ul style="list-style-type: none"> • according to DIN EN 61346-2 • according to DIN 40719 extendable after IEC 204-2 / according to IEC 750 		S
Tightening torque / of the screws in the bracket / maximum	N·m	1
Ambient temperature		
<ul style="list-style-type: none"> • during operating • during storage 	°C	-25 ... +70
	°C	-40 ... +80
Protection class IP		IP67
B10 value / with high demand rate / according to SN 31920		100,000
Proportion of dangerous failures		
<ul style="list-style-type: none"> • with high demand rate / according to SN 31920 • with low demand rate / according to SN 31920 	%	20
	%	20
Failure rate (FIT value) / with low demand rate / according to SN 31920	FIT	100
T1 value / for proof test interval or service life / according to IEC 61508	a	20
climatic class / during the operating phase / according to EN 60721		3K6
Type of mounting		front mounting
Shape / of the installation hole		round
Installation width	mm	40.5
Mounting diameter	mm	22
Mounting height	mm	49
Mounting depth	mm	29

Certificates/approvals:

General Product Approval



CSA



GOST



UL

Test Certificates

[Special Test Certificate](#)

Shipping Approval



ABS



BUREAU
VERITAS



DNV



LRS



PRS



RINA

other

[Confirmation](#)

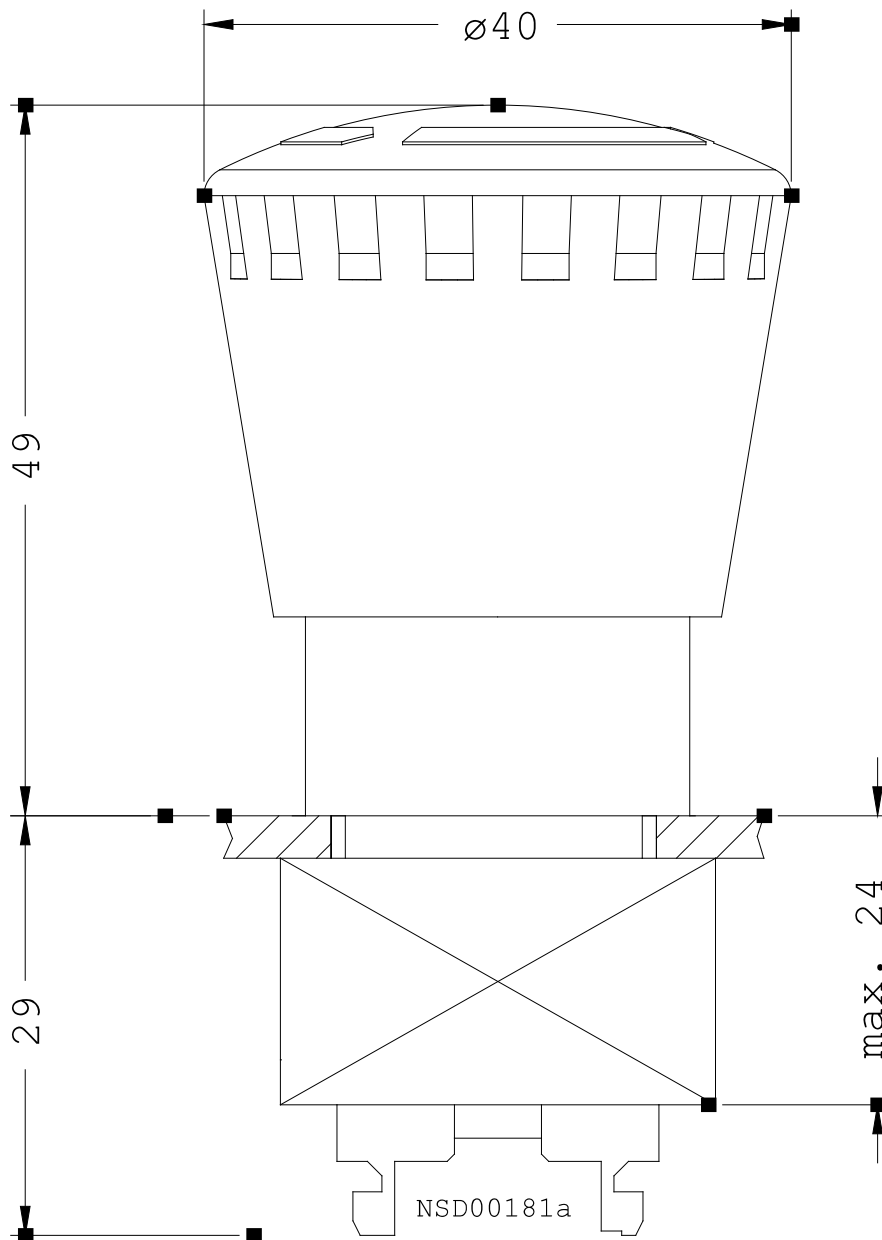
[other](#)

[Environmental Confirmations](#)

Further information:

Information- and Downloadcenter (Catalogs, Brochures,...)

<http://www.siemens.com/industrial-controls/catalogs>



last change:

May 14, 2012