

22MM METAL ROUND ACTUATOR: SELECTOR SWITCH LATCHING 3 SWITCH POSITIONS I-O-II NON-ILLUMINATED WITH HOLDER BLACK

Actuator:		
Design of the product		Single device round
Design of the operating mechanism		selector switch
External diameter / of the activation element	mm	28.5
Functionality / of the actuator		Latching
Type of unlocking device		rotate-to-unlatch mechanism
Color / of the activation element		black
Material / of the activation element		plastic
Number of switching positions		3
Actuating angle		
• clockwise	°	50
• anticlockwise	°	50
Product component / front ring		Yes
Material / of the front ring		metal
Color / of the front ring		silver
Design of the front ring		Standard
Product function / EMERGENCY STOP function		No
Holder:		
Material / of the holder		Metal

General technical data:

Resistance against shock		
<ul style="list-style-type: none"> for devices without incandescent lamp / according to IEC 60068-2-27 		<= 50g
Resistance against vibration / according to IEC 60068-2-6		20 ... 200 Hz: 5g
Operating cycles / maximum	1/h	1,000
Mechanical operating cycles as operating time / typical		300,000
Product extension / optional / fluorescent materials		No
Reference code		
<ul style="list-style-type: none"> according to DIN EN 61346-2 		S
<ul style="list-style-type: none"> according to DIN 40719 extended according to IEC 204-2 / according to IEC 750 		S
Tightening torque / of the screws in the bracket / maximum	N-m	1
Ambient temperature		
<ul style="list-style-type: none"> during operating 	°C	-25 ... +70
<ul style="list-style-type: none"> during storage 	°C	-40 ... +80
Protection class IP		IP67
climatic class / during the operating phase / according to EN 60721		3K6
Mounting type		front mounting
Shape / of the installation hole		round
Installation width	mm	28.5
Mounting diameter	mm	22
Mounting height	mm	24
Mounting depth	mm	29

Certificates/ approvals:

General Product Approval



[Special Test Certificate](#)

EG-Konf.

Shipping Approval



LRS



PRS



RINA

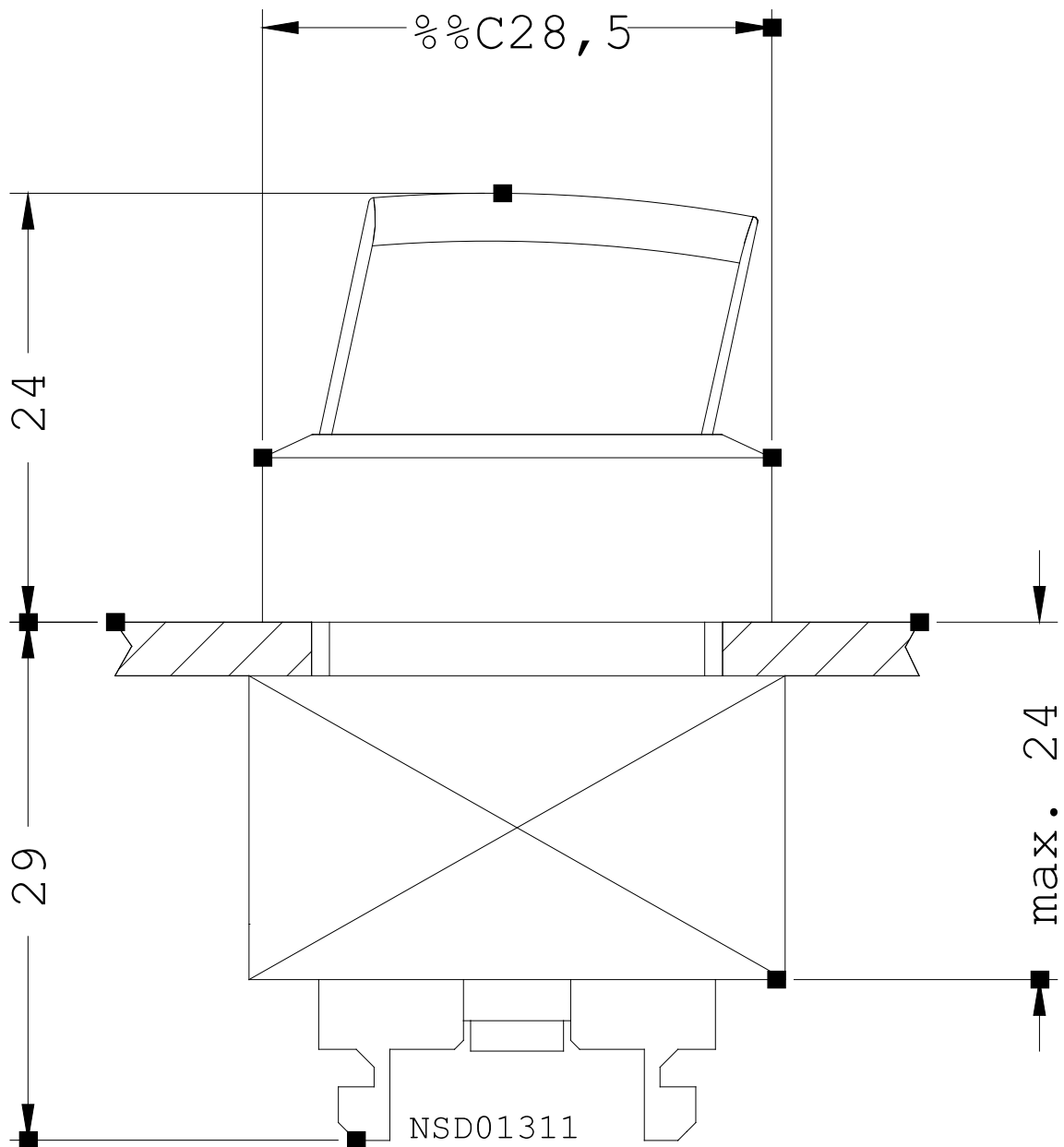
other

[Confirmation](#)

[other](#)

[Environmental Confirmations](#)

Further information:



last change:

May 19, 2014