

22MM METAL ROUND ACTUATOR: SELECTOR SWITCH  
RIGHT LATCH.,LE.MOMEN.CONT.TYPE 3 SWITCH  
POSITIONS I-O-II NON-ILLUMINATED WITH HOLDER  
BLACK

Actuator:		
Design of the product		Single device round
Design of the operating mechanism		selector switch
External diameter / of the activation element	mm	28.5
Functionality / of the actuator		Momentary contact (left), latching (right)
Type of unlocking device		rotate-to-unlatch mechanism
Color / of the activation element		black
Material / of the activation element		plastic
Number of switching positions		3
Actuating angle		
• clockwise	°	50
• anticlockwise	°	50
Product component / front ring		Yes
Material / of the front ring		metal
Color / of the front ring		silver
Design of the front ring		Standard
Product function / EMERGENCY STOP function		No
Holder:		
Material / of the holder		Metal

**General technical data:**

<b>Resistance against shock</b> • for devices without incandescent lamp / according to IEC 60068-2-27		<= 50g
<b>Resistance against vibration / according to IEC 60068-2-6</b>		20 ... 200 Hz: 5g
<b>Operating cycles / maximum</b>	1/h	1,000
<b>Mechanical operating cycles as operating time / typical</b>		300,000
<b>Product extension / optional / fluorescent materials</b>		No
<b>Reference code</b> • according to DIN EN 61346-2 • according to DIN 40719 extended according to IEC 204-2 / according to IEC 750		S S
<b>Tightening torque / of the screws in the bracket / maximum</b>	N·m	1
<b>Ambient temperature</b> • during operating • during storage	°C °C	-25 ... +70 -40 ... +80
<b>Protection class IP</b>		IP67
<b>climatic class / during the operating phase / according to EN 60721</b>		3K6
<b>Mounting type</b>		front mounting
<b>Shape / of the installation hole</b>		round
<b>Installation width</b>	mm	28.5
<b>Mounting diameter</b>	mm	22
<b>Mounting height</b>	mm	24
<b>Mounting depth</b>	mm	29

**Certificates/ approvals:**

**General Product Approval**



[Special Test Certificate](#)

**Shipping Approval**



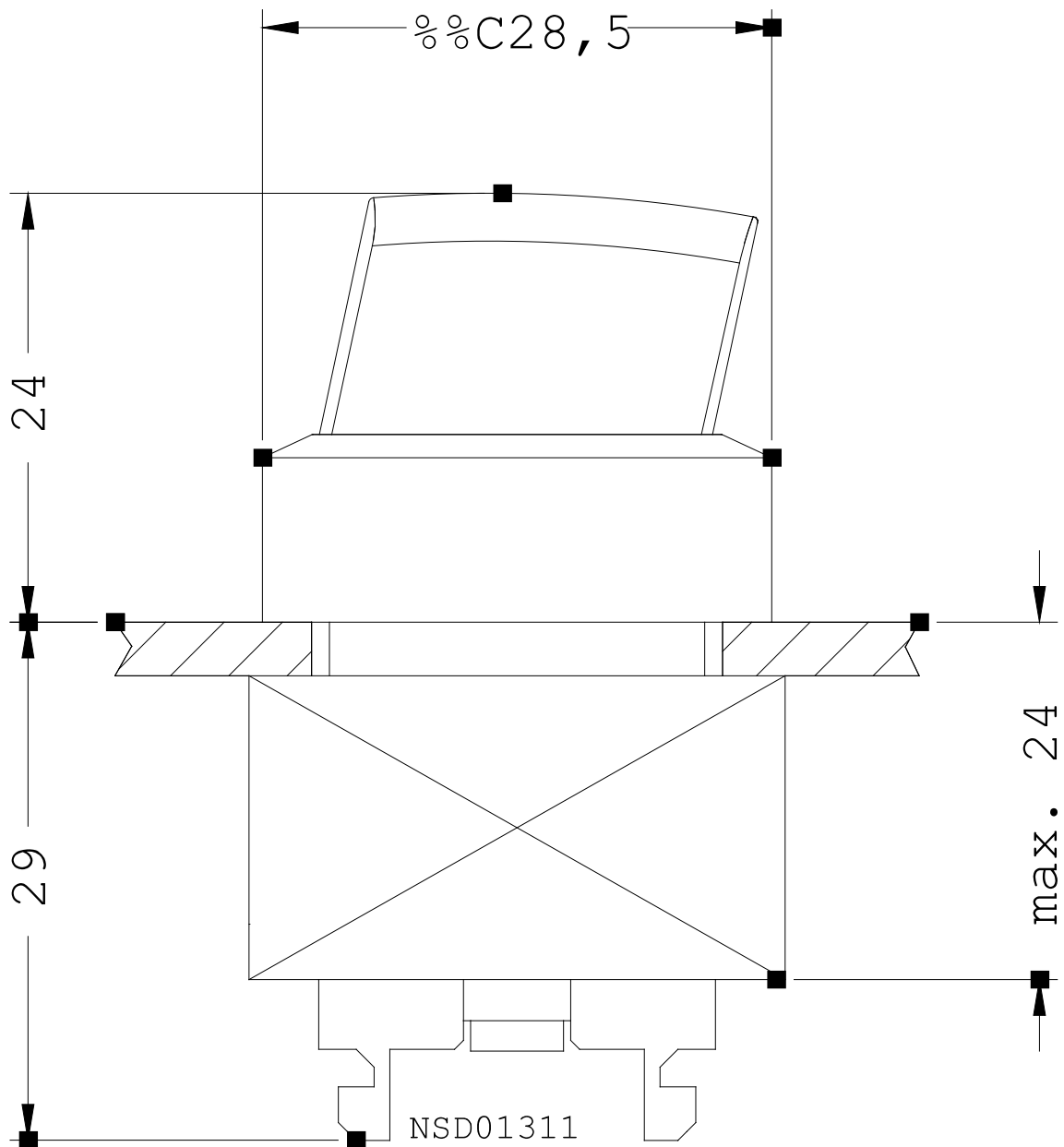
**other**

[Confirmation](#)

[other](#)

[Environmental Confirmations](#)

**Further information:**



last change:

May 19, 2014